

GENERAL NOTES

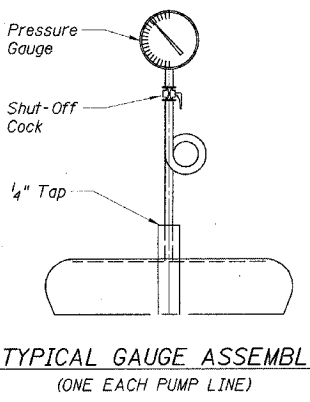
- IT SHALL BE THE CONTRACTOR'S RESPONSIBILITY TO VERIFY ALL DIMENSIONS FOR THE PROPOSED LIFT STATION, INCLUDING THE VALVE VAULT, WITH THE MANUFACTURERS SHOP DRAWINGS PRIOR TO BEGINNING CONSTRUCTION.
- THE PUMPS FOR THE LIFT STATION SHALL BE FLYGT MODEL CP-3085 (X), IMPELLER NO. 436, 200 V. 3Ø OR APPROVED EQUAL.
- THE CONTRACTOR SHALL SUBMIT FOUR COPIES OF DRAWINGS FOR ALL COMPONENTS OF THE PROPOSED LIFT STATION TO THE CITY ENGINEER FOR APPROVAL 30 DAYS PRIOR TO CONSTRUCTION.
- THE LIFT STATION SHALL BE FURNISHED COMPLETE AS SHOWN INCLUDING THE SERVICE POLE, WEATHERHEAD, METER BASE, DISCONNECT SWITCH, PUMP STATION, PUMPS, CONTROL PANEL, VALVE VAULT, AND ALL COMPONENTS NECESSARY FOR A COMPLETE AND OPERATIONAL LIFT STATION. THIS WORK SHALL BE PAID FOR UNDER ITEM LIFT STATION-COMLETE-LUMP SUM.
- ALL COMPONENTS OF THE LIFT STATION SHALL BE SUPPLIED WITH A ONE YEAR GUARANTY FROM THE MANUFACTURER.
- ALL ELECTRICAL EQUIPMENT SHALL BE INSTALLED IN CONFORMANCE WITH NFPA70 (NEC MOST CURRENT ISSUE), THE RESPECTIVE EQUIPMENT MANUFACTURER'S DIRECTIONS AND ALL OTHER APPLICABLE CODES, LAWS, ORDINANCES AND REQUIREMENTS IN FORCE. ANY INSTALLATIONS WHICH VOID THE U.L. LISTINGS (OR OTHER THIRD PARTY LISTING) AND/OR THE MANUFACTURER'S WARRANTY OF A DEVICE SHALL NOT BE PERMITTED.
- ALL ELECTRICAL EQUIPMENT INSTALLED IN THE WET WELL SHALL BE SUITABLE FOR USE IN CLASS I, DIV. 1, GROUP D HAZARDOUS LOCATION AND SHALL CONFORM TO THE APPLICABLE SECTIONS OF NEC ARTICLES 500, 501, & 504 AS WELL AS ALL LOCAL CODES, ORDINANCES AND REQUIREMENTS.
- ALL ELECTRICAL EQUIPMENT INSTALLED IN THE VALVE VAULT SHALL BE SUITABLE FOR USE IN CLASS I, DIVISION 2, GROUP D HAZARDOUS LOCATION AND SHALL CONFORM TO THE APPLICABLE SECTIONS OF NEC ARTICLES 500, 501, & 504 AS WELL AS ALL LOCAL CODES, ORDINANCES, AND REQUIREMENTS.
- CONTRACTOR SHALL COORDINATE INSTALLATION OF ELECTRICAL EQUIPMENT, AND WORK WITH RESPECT TO PLUMBING, MECHANICAL, CONCRETE, EXCAVATION AND ALL OTHER WORK. COORDINATE THE INSTALLATION OF CONDUITS INTO THE WET WELL. USE NON-SHRINK GROUT AS REQUIRED TO SEAL CONDUIT PENETRATIONS.

PIPING NOMENCLATURE

- | | |
|--|---|
| ① 4" - 90 Deg. Bend Fig. x Fig. | ⑧ 4" Wye Mj. x Mj. x Mj. |
| ② 4" Wall Sleeve Mj. x Fig. or A-Lok Connector w/4" pipe | ⑨ 4" Fig. x 3" NPT Companion Flange |
| ③ 4" Spool Fig. x Pe. | ⑩ 3" NPT x 3" Male Pump Hose Connection (Quick Connection Coupling) |
| ④ 4" Coupler (Dresser) | ⑪ 4" Spacer Pe. x Pe. |
| ⑤ 4" Check Valve | ⑫ 4" - 22½ Deg. Bend Mj. x Mj. |
| ⑥ 4" Gate Valve w/Handwheel | ⑬ 4" x 3" Reducer |
| ⑦ 4" - 45 Deg Bend Mj. x Mj. | |

PUMP STATION REQUIREMENTS

CAPACITY GPM = 147
TOTAL HEAD - FEET = 22.8
NUMBER OF PUMPS = 2
HORSEPOWER = 3.0
R.P.M. = 1710
VOLTS = 200 v. 3Ø
HERTZ = 60
DISCONNECT SWITCH = (AS PER PUMP MANUFACTURER)



PUMP STATION DETAILS
FELL AVENUE
BRIDGE REPLACEMENT

DRAWN KET 08-16-04 DESIGNED MH 10-6-04
CHECKED LDK 10-25-04 CHECKED LDK 10-25-04
FILE: 03S2019 DATE: 2-2-05

02/03/2005
A:\03jobs\03e2019\civ\sheet\c-502.pump.dgn