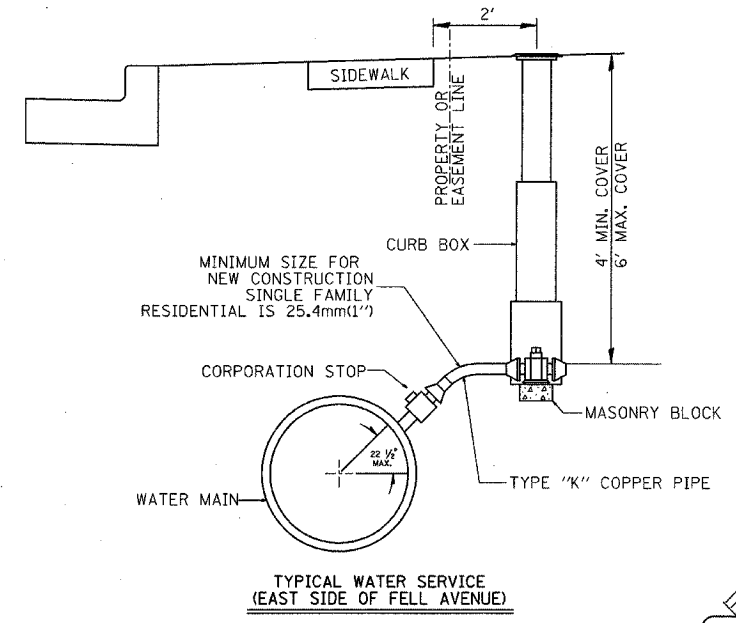
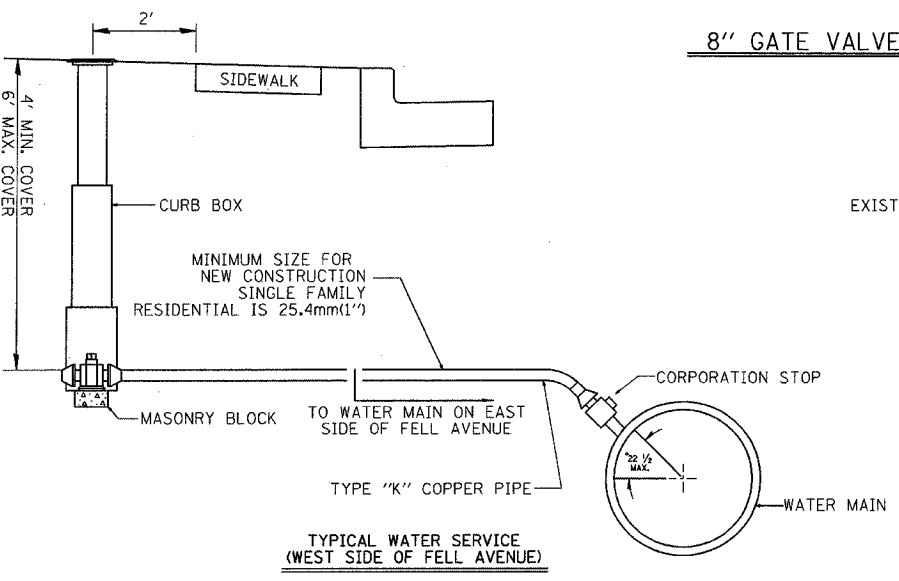


SERVICE SIZE	CORP. STOP	CURB STOP	CURB BOX
19mm - 25mm (3/4" - 1")	MUELLER H-15000	MUELLER H-15200 OR A.Y. MCDONALD 4713	MUELLER H-10314 OR A.Y. MCDONALD 5601
30mm (1 1/4")	MUELLER H-15000	MUELLER H-15200 OR A.Y. MCDONALD 6100	A.Y. MCDONALD 5603
35mm - 50mm (1 1/2" - 2")	FORD, MUELLER, OR A.Y. MCDONALD BALL VALVE	FORD, MUELLER, OR A.Y. MCDONALD BALL VALVE	A.Y. MCDONALD 5603

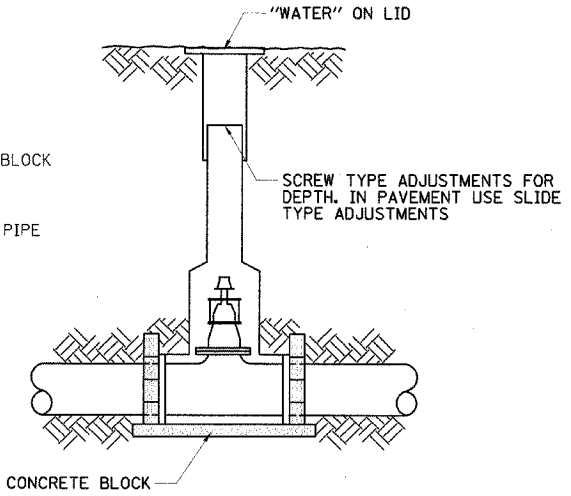
• OR APPROVED EQUAL



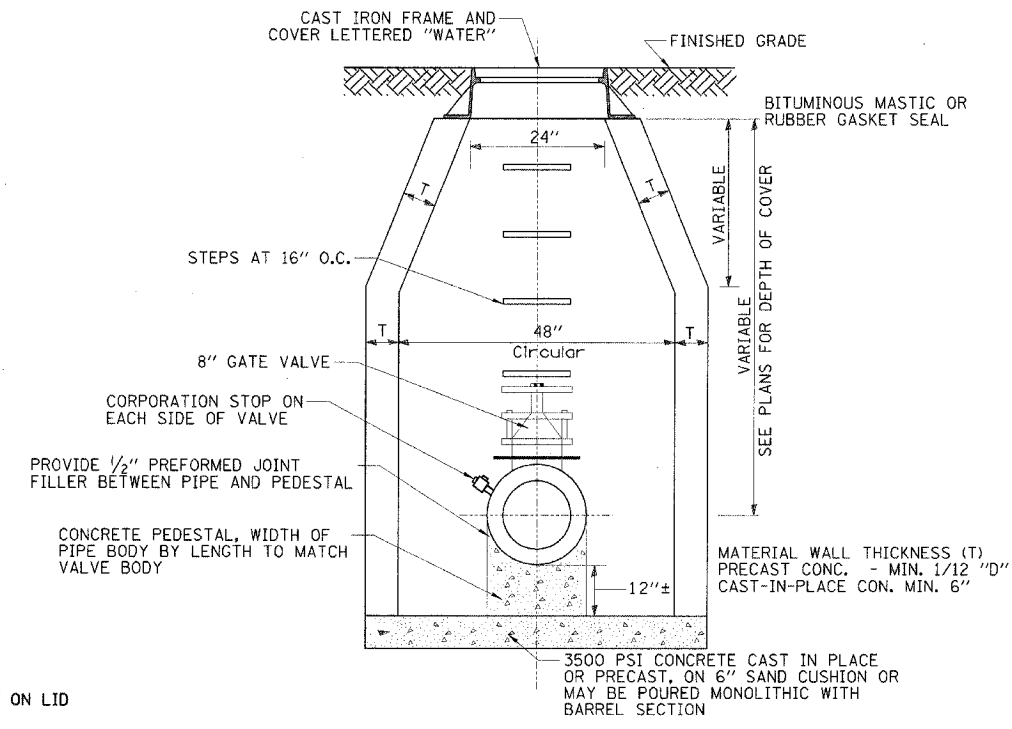
TYPICAL WATER SERVICE (EAST SIDE OF FELL AVENUE)



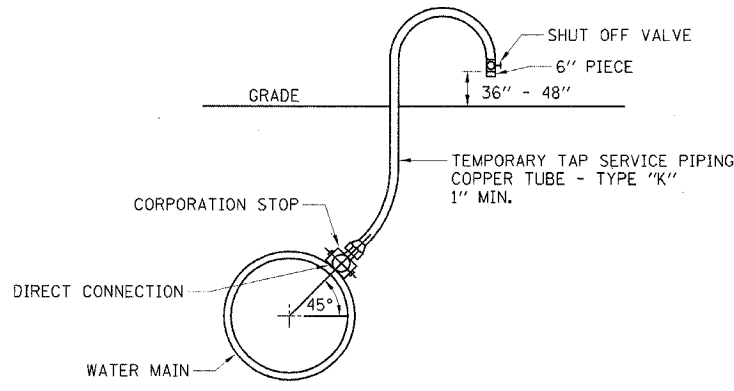
TYPICAL WATER SERVICE (WEST SIDE OF FELL AVENUE)



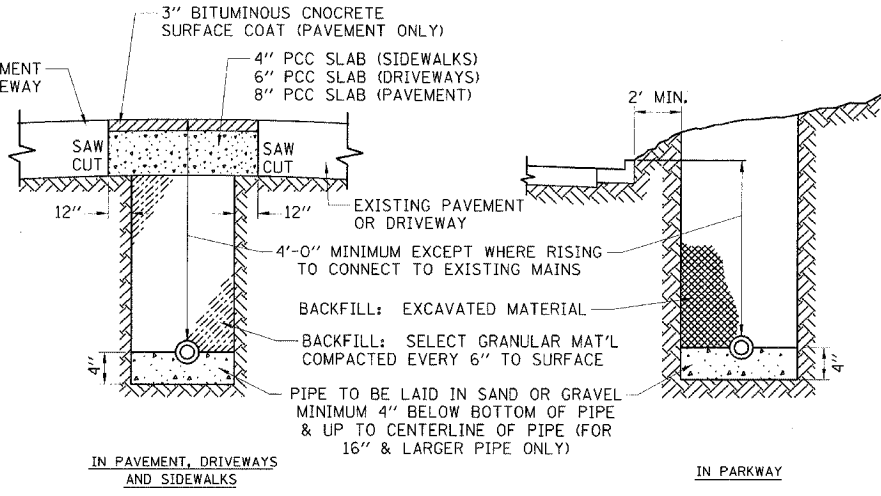
8" GATE VALVE AND VALVE BOX



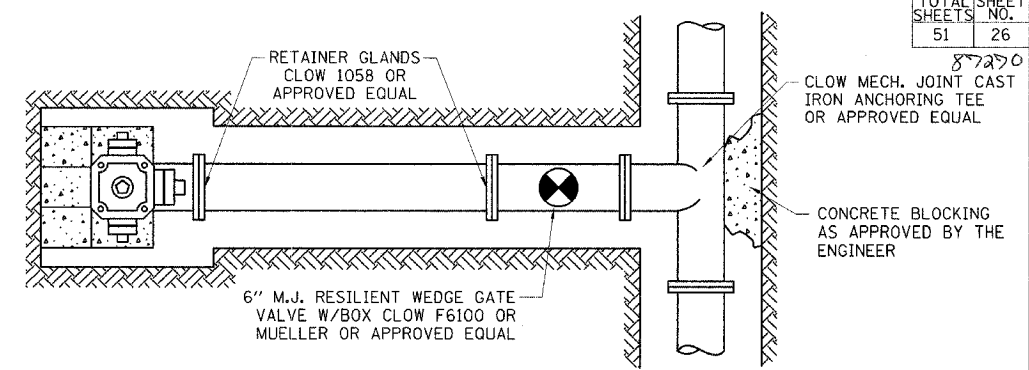
8" GATE VALVE AND VALVE VAULT



SAMPLING & CHLORINATION SERVICE PIPING TAP

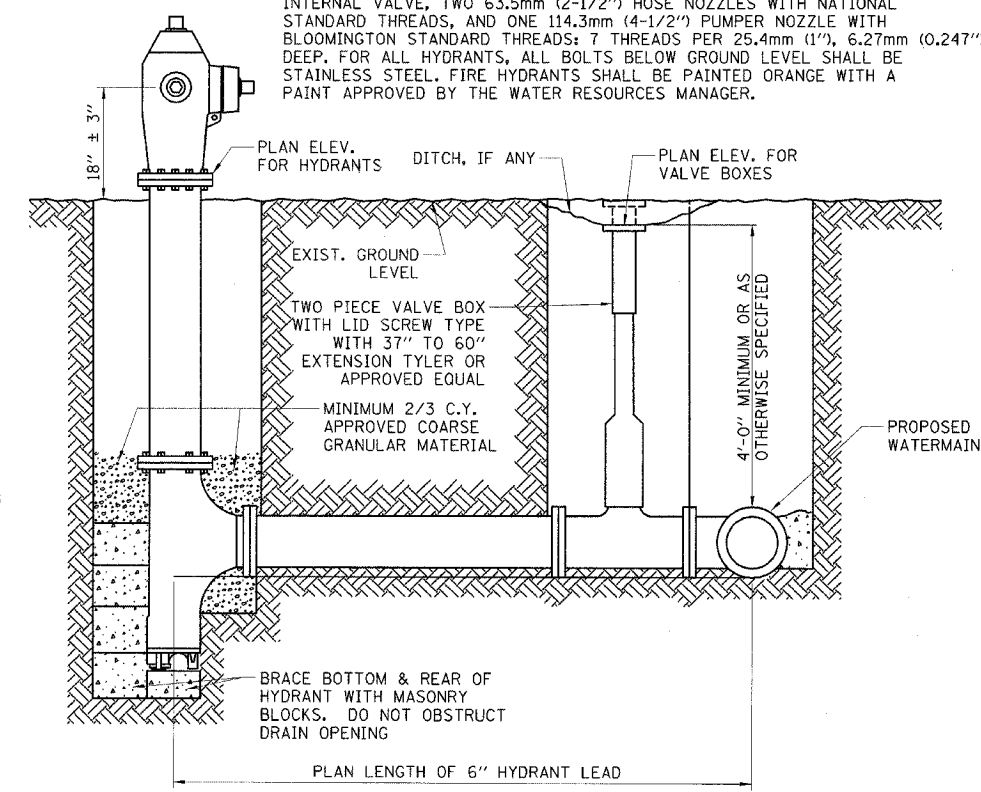


PIPE COVER DETAILS

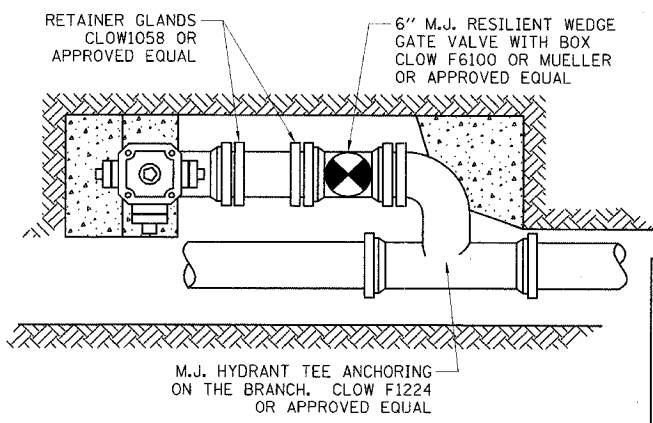


TYPICAL HYDRANT INSTALLATION PLAN

FIRE HYDRANTS SHALL BE: WATEROUS PACER, CLOW F-2500, MUELLER MODERN CENTURION, KENNEDY GUARDIAN. A STANDARD HYDRANT SHALL HAVE A MINIMUM 114.3mm (4-1/2") INTERNAL VALVE AND TWO 63.5mm (2-1/2") HOSE NOZZLES WITH NATIONAL STANDARD THREADS. A STEAMER HYDRANT SHALL HAVE A MINIMUM 133.4mm (5-1/4") INTERNAL VALVE, TWO 63.5mm (2-1/2") HOSE NOZZLES WITH NATIONAL STANDARD THREADS, AND ONE 114.3mm (4-1/2") PUMPER NOZZLE WITH BLOOMINGTON STANDARD THREADS: 7 THREADS PER 25.4mm (1"), 6.27mm (0.247") DEEP. FOR ALL HYDRANTS, ALL BOLTS BELOW GROUND LEVEL SHALL BE STAINLESS STEEL. FIRE HYDRANTS SHALL BE PAINTED ORANGE WITH A PAINT APPROVED BY THE WATER RESOURCES MANAGER.



TYPICAL HYDRANT INSTALLATION SECTION



PARALLEL MOUNT HYDRANT INSTALLATION

NOTE: ALL WATER MAIN BENDS SHALL BE MADE WITH RESTRAINED JOINT PIPE

WATER MAIN DETAILS
FELL AVENUE
BRIDGE REPLACEMENT

DRAWN BJB 12-03-04 DESIGNED LDK 12-01-04
CHECKED LDK 10-25-04 CHECKED LDK 10-25-04
FILE: 03S2019 DATE: 2-2-05



02/03/2005
I:\03 jobs\03s2019\cml\sheet\c-504-wal.dgn