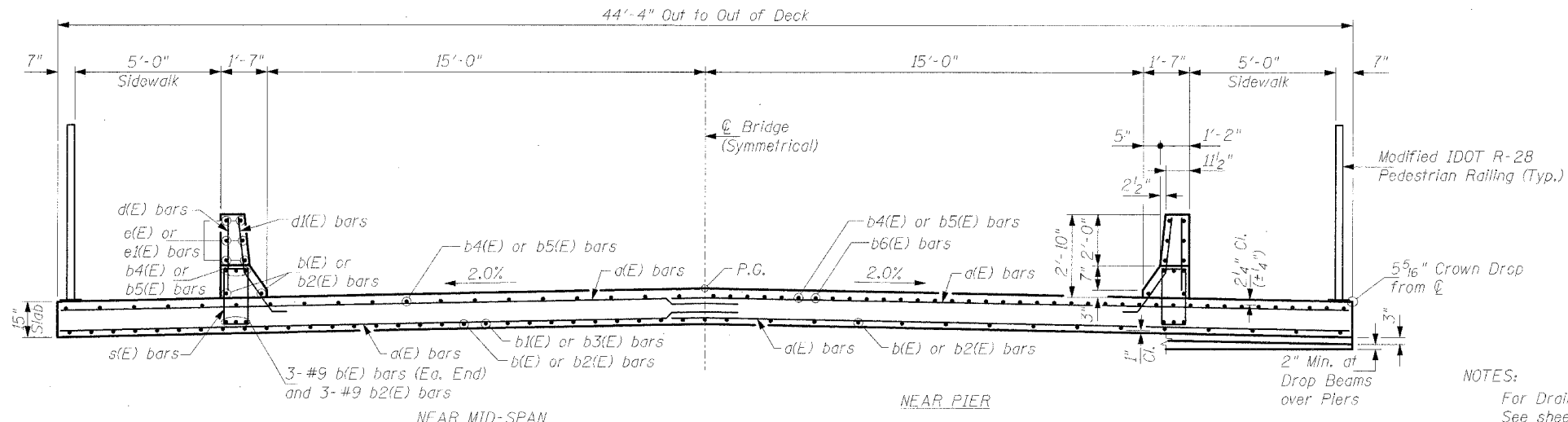
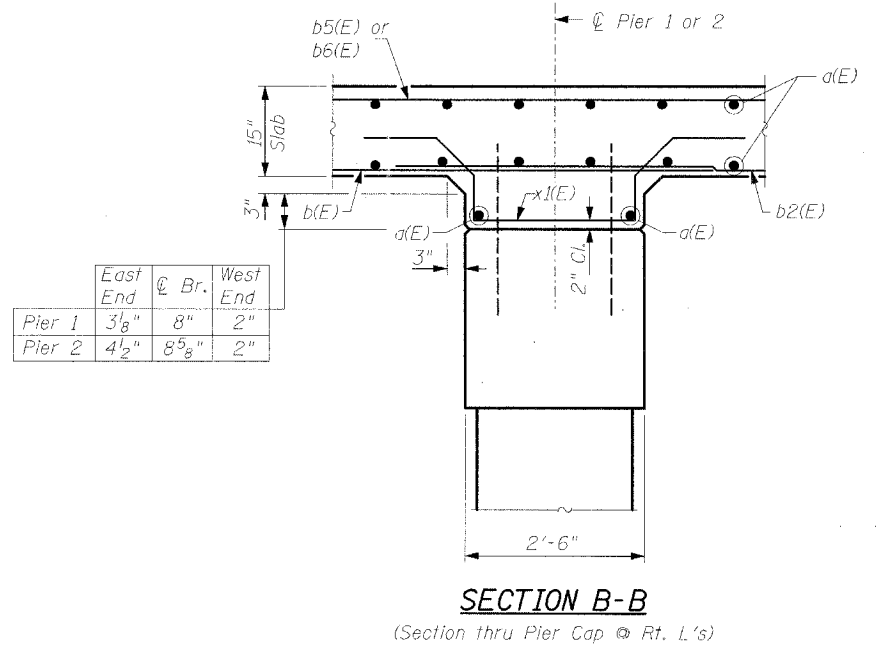
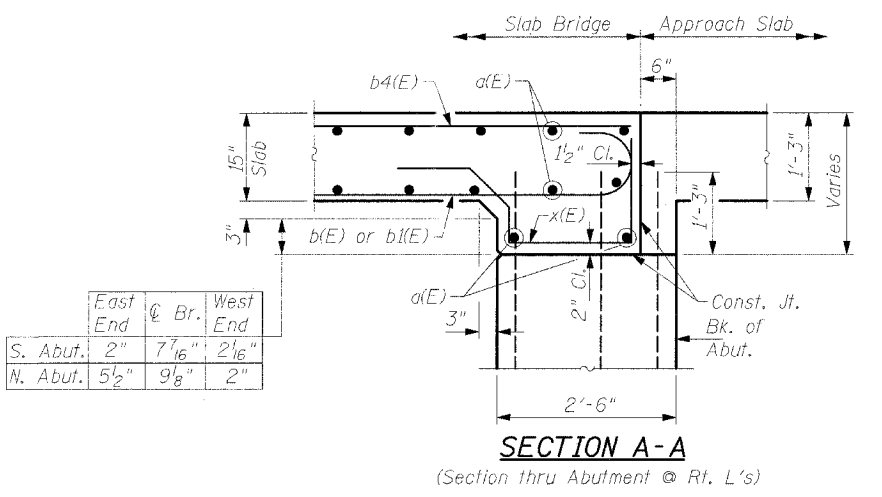


**DECK PLAN**



**CROSS SECTION**



**NOTES:**

For Drain locations see sheet 1 of 11.  
See sheet 3 of 11 for Superstructure Details, Parapet Reinforcement and Bill of Material.  
Reinforcement bars designated (E) shall be epoxy coated.  
Bars indicated thus: 38x2-#9 etc. indicates 38 lines of bars with 2 lengths per line.  
Space reinforcement bars to clear drains.

**SUPERSTRUCTURE**

FELL AVENUE over SUGAR CREEK  
FAU ROUTE 6401 SECTION 02-00325-00-BR  
BLOOMINGTON, ILLINOIS McLEAN COUNTY  
STATION 12+47.00  
STRUCTURE NO. 057-6338

© Copyright Hanson Professional Services Inc. 2005

**HANSON**

JOB NO.  
03S2019  
DATE  
01/21/05