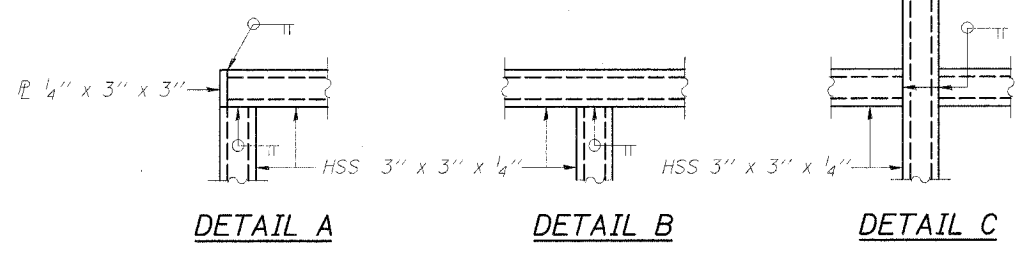
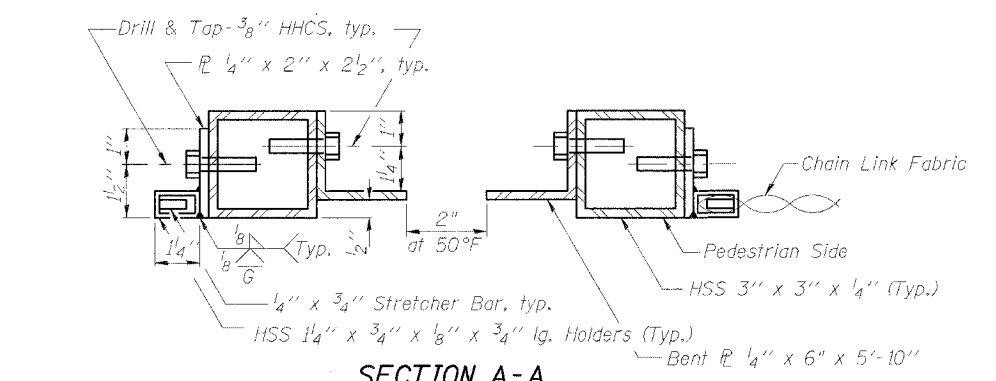


ELEVATION
(Inside Face)

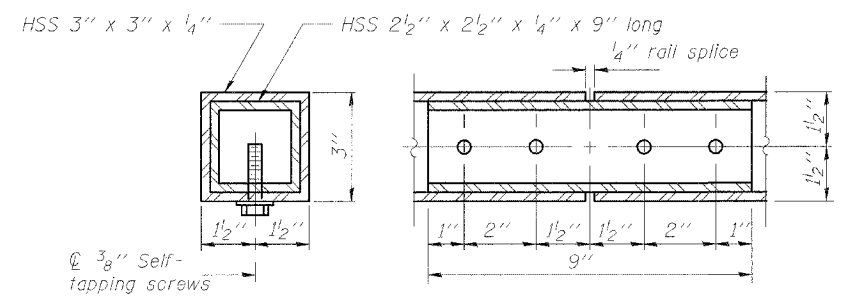
ELEVATION
(At Piers)



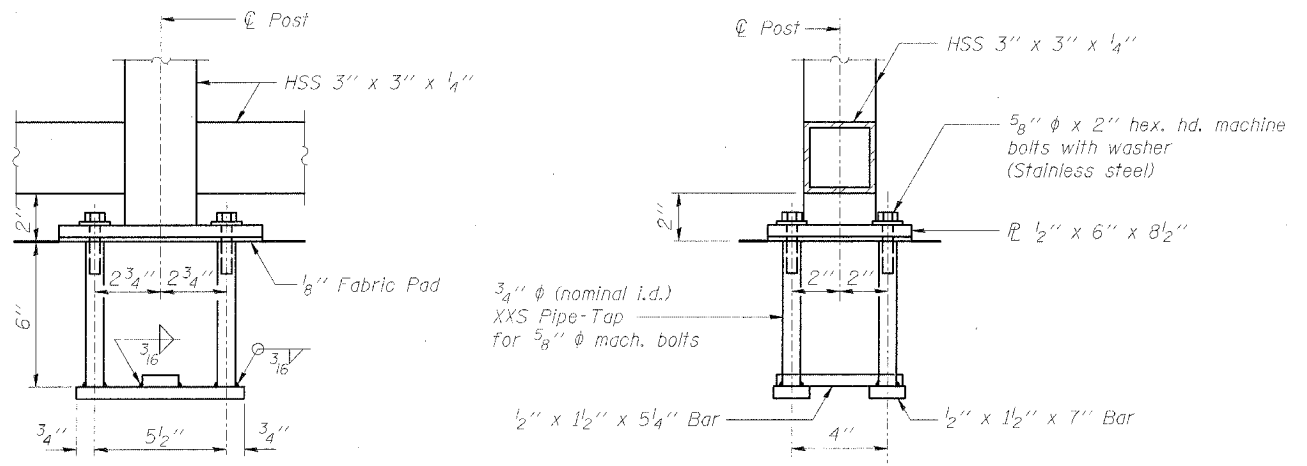
DETAIL A **DETAIL B** **DETAIL C**



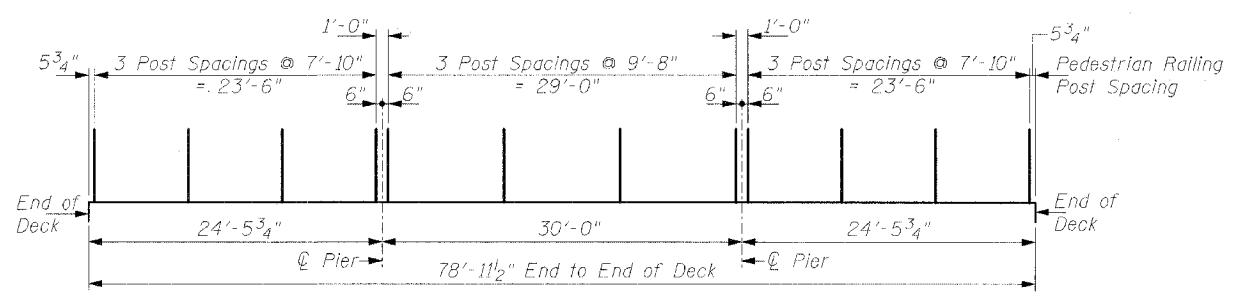
SECTION A-A



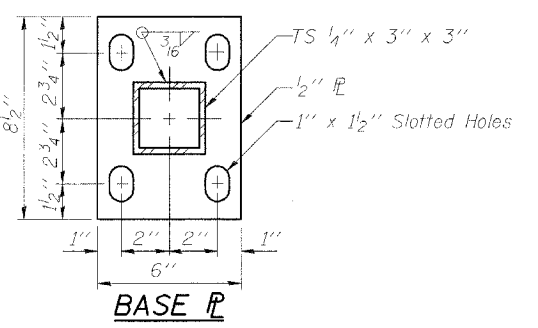
RAIL SPLICE



ANCHOR BOLT DETAILS



ELEVATION - PEDESTRIAN RAILING POST SPACINGS



BASE PL

NOTES

Railing shall be according to Section 509 of the Standard Specifications, except as noted, and will be paid for at the Contract Unit Price per foot for Pedestrian Railing.
 The 9 gauge fabric ties shall be according to Article 1006.27(d) of the Standard Specifications.
 Installation of the chain link fabric shall be according to Section 664 of the Standard Specifications.
 Hollow structural sections shall conform to the requirements of ASTM designation A 500, Grade B, structural steel tubing.
 All other steel shapes and plates shall conform to the requirements of AASHTO M 270 Grade 36.
 The chain link fabric shall be placed along Pedestrian Side as shown on Section A-A.
 Stretcher bars shall be used at all four sides of each panel. Space reinforcement to miss anchor rods.
 All posts, railing, splices, anchor devices, and bent plates shall be galvanized after shop fabrication according to AASHTO M 111 and ASTM A 385. All bolts, nuts, washers, and anchor rods shall be galvanized according to AASHTO M 232 except stainless steel bolts as noted.
 Vent holes for galvanizing shall be placed in the posts and rails at locations that will not allow the accumulation of moisture in the members.
 The chain link fabric shall conform to the requirements of Article 1006.27(a)(1), b or c of the Standard Specifications.

BILL OF MATERIAL

Item	Unit	Quantity
Pedestrian Railing	Foot	156

PEDESTRIAN RAILING

FELL AVENUE over SUGAR CREEK
 FAU ROUTE 6401 SECTION 02-00325-00-BR
 BLOOMINGTON, ILLINOIS McLEAN COUNTY
 STATION 12+47.00
 STRUCTURE NO. 057-6338

© Copyright Hanson Professional Services Inc. 2005



JOB NO.
03S2019
DATE
01/21/05