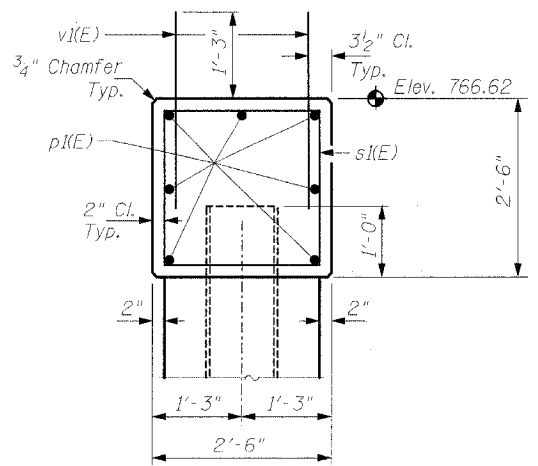
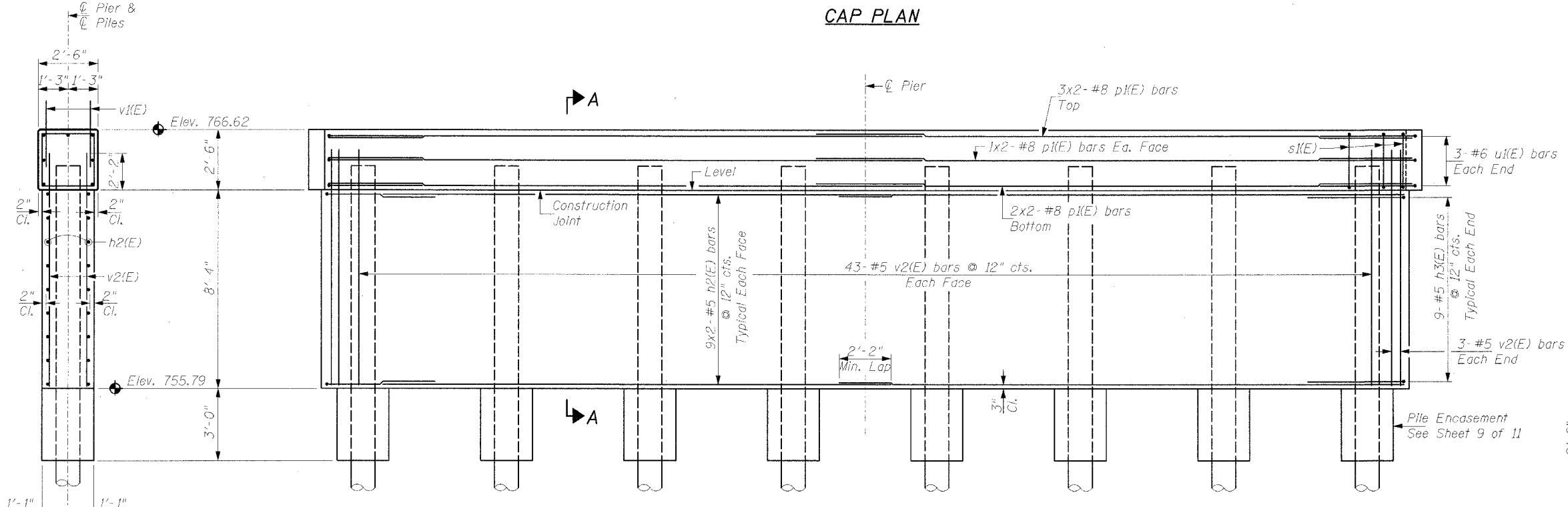


CAP PLAN

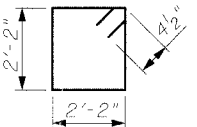


SECTION B-B
(@ Rt. L's)

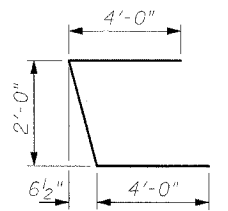


ELEVATION
(Looking South)

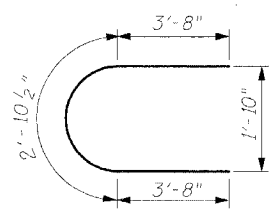
SECTION A-A
(@ Rt. L's)



BAR s(E)



BAR u(E)

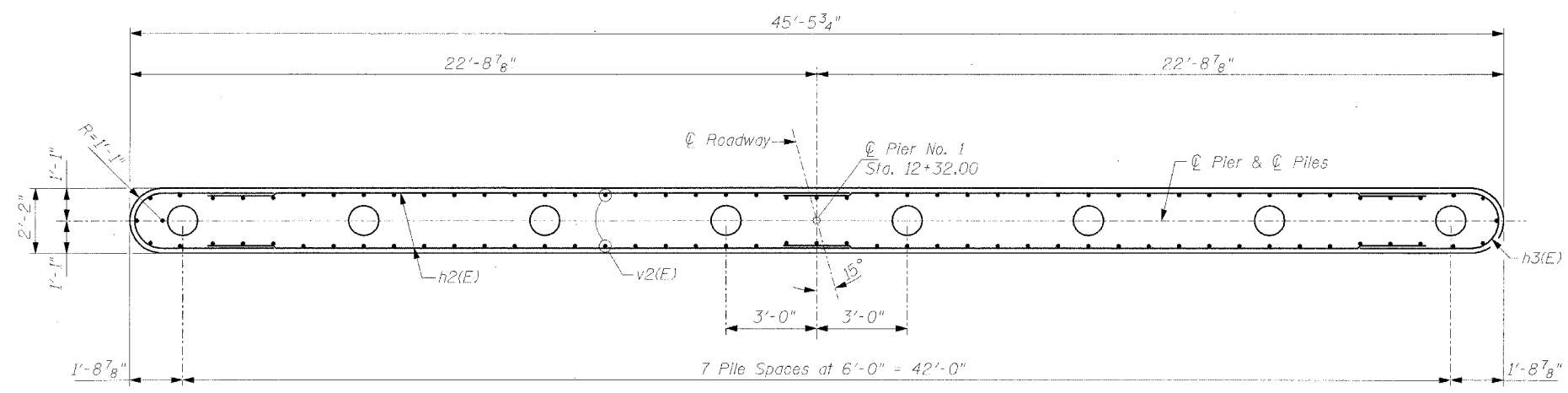


BAR h3(E)

PIER 1
BILL OF MATERIAL

Bar	No.	Size	Length	Shape
h2(E)	36	#5	21'-4"	—
h3(E)	18	#5	10'-2 1/2"	U
p(E)	14	#8	25'-1"	—
s(E)	74	#4	9'-5"	□
u(E)	6	#6	10'-1"	U
v(E)	92	#5	2'-6"	—
v2(E)	92	#5	10'-5"	—
Concrete Structures		Cu. Yds.	38.6	
Reinforcement Bars, Epoxy Coated		Lbs.	3,730	
Furnishing Metal Pile Shells, 12" φ		Foot	304	
Driving and Filling Shells		Foot	304	

Reinforcement bars designated (E) shall be epoxy coated.
Bars indicated thus 3x2-#8 etc. indicates 3 lines of bars with 2 lengths per line.



ENCASEMENT PLAN

PILE DATA

Type: Concrete Piles
(Metal Pile Shell) 12" Dia.
Capacity: 45 Tons
Est. Length: 38 Ft.
Number Required: 8

Pier 1
FELL AVENUE over SUGAR CREEK
FAU ROUTE 6401 SECTION 02-00325-00-BF
BLOOMINGTON, ILLINOIS McLEAN COUNTY
STATION 12+47.00
STRUCTURE NO. 057-6338

© Copyright Hanson Professional Services Inc. 2005

HANSON

JOB NO. 03S2019
DATE 01/21/05