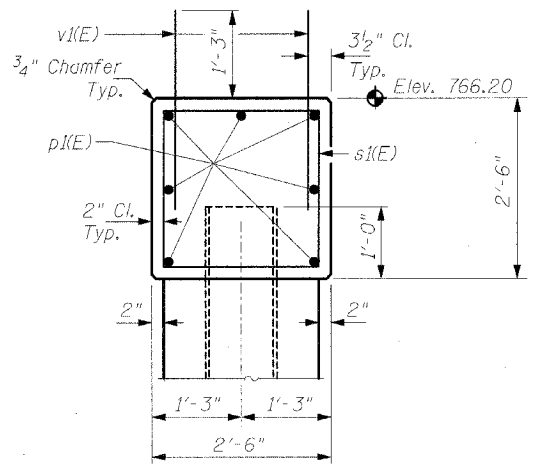
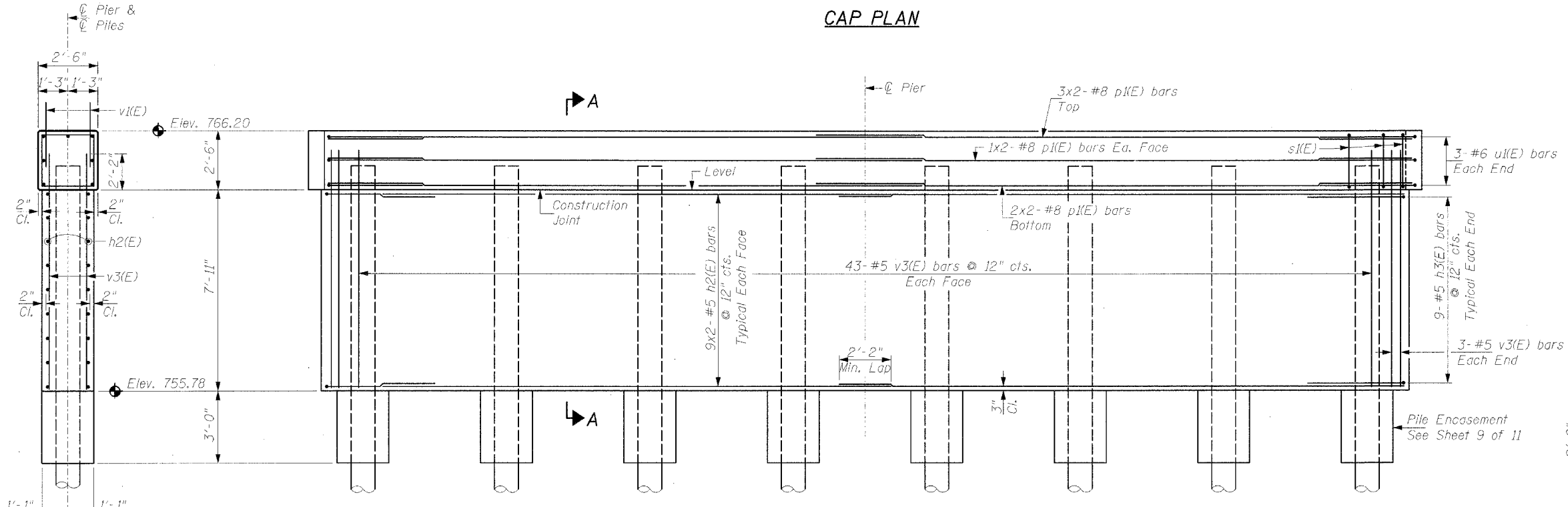


**CAP PLAN**

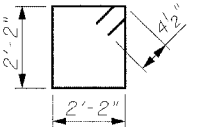


**SECTION B-B**  
(@ Rt. L's)

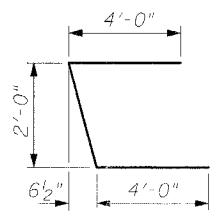


**ELEVATION**  
(Looking South)

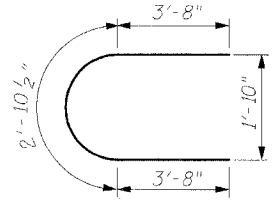
**SECTION A-A**  
(@ Rt. L's)



**BAR s(E)**



**BAR u(E)**

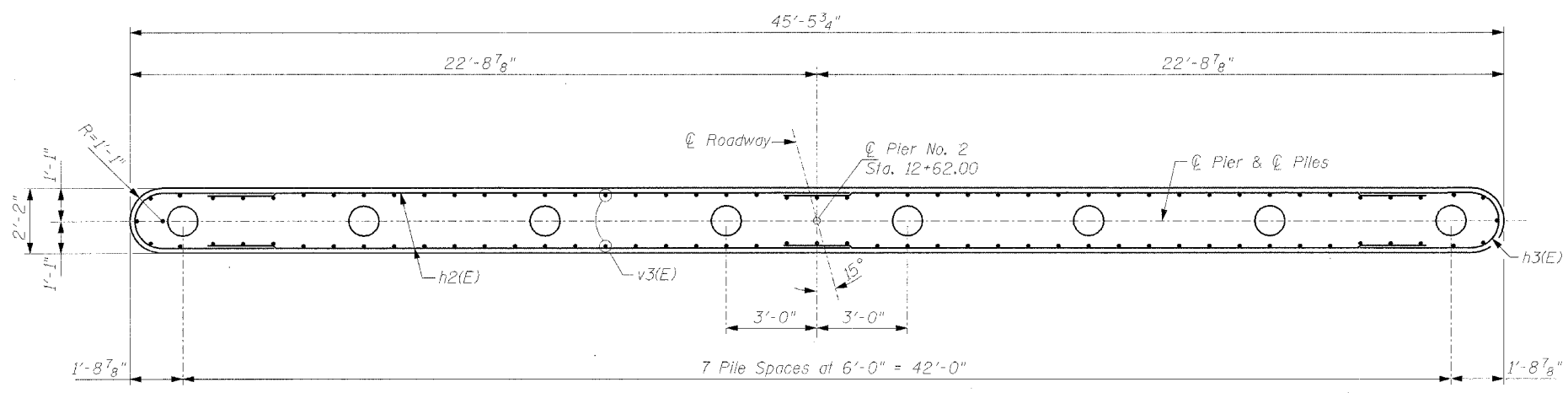


**BAR h3(E)**

**PIER 2**  
**BILL OF MATERIAL**

Bar	No.	Size	Length	Shape
h2(E)	36	#5	21'-4"	—
h3(E)	18	#5	10'-2 1/2"	U
p(E)	14	#8	25'-1"	—
s(E)	74	#4	9'-5"	□
u(E)	6	#6	10'-1"	U
v(E)	92	#5	2'-6"	—
v3(E)	92	#5	10'-0"	—
Concrete Structures		Cu. Yds.	37.2	
Reinforcement Bars, Epoxy Coated		Lbs.	3,690	
Furnishing Metal Pile Shells, 12" φ		Foot	259	
Driving and Filling Shells		Foot	259	
Test Pile Metal Shells		Each	1	

Reinforcement bars designated (E) shall be epoxy coated.  
Bars indicated thus 3x2-#8 etc. indicates 3 lines of bars with 2 lengths per line.



**ENCASEMENT PLAN**

**PILE DATA**

Type: Concrete Piles  
(Metal Pile Shell) 12" Dia.  
Capacity: 45 Tons  
Est. Length: 37 Ft.  
Number Required: 8 (Includes one test pile)

**Pier 2**

FELL AVENUE over SUGAR CREEK  
FAU ROUTE 6401 SECTION 02-00325-00-BR  
BLOOMINGTON, ILLINOIS McLEAN COUNTY  
STATION 12+47.00  
STRUCTURE NO. 057-6338

© Copyright Hanson Professional Services Inc. 2005



JOB NO.  
03S2019  
DATE  
01/21/05