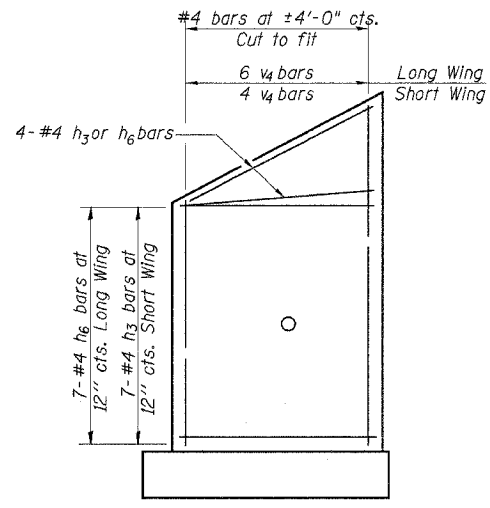
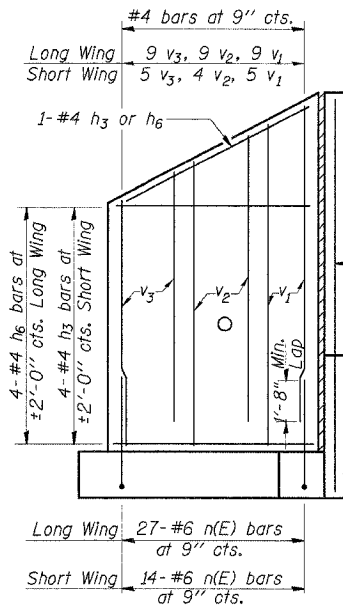


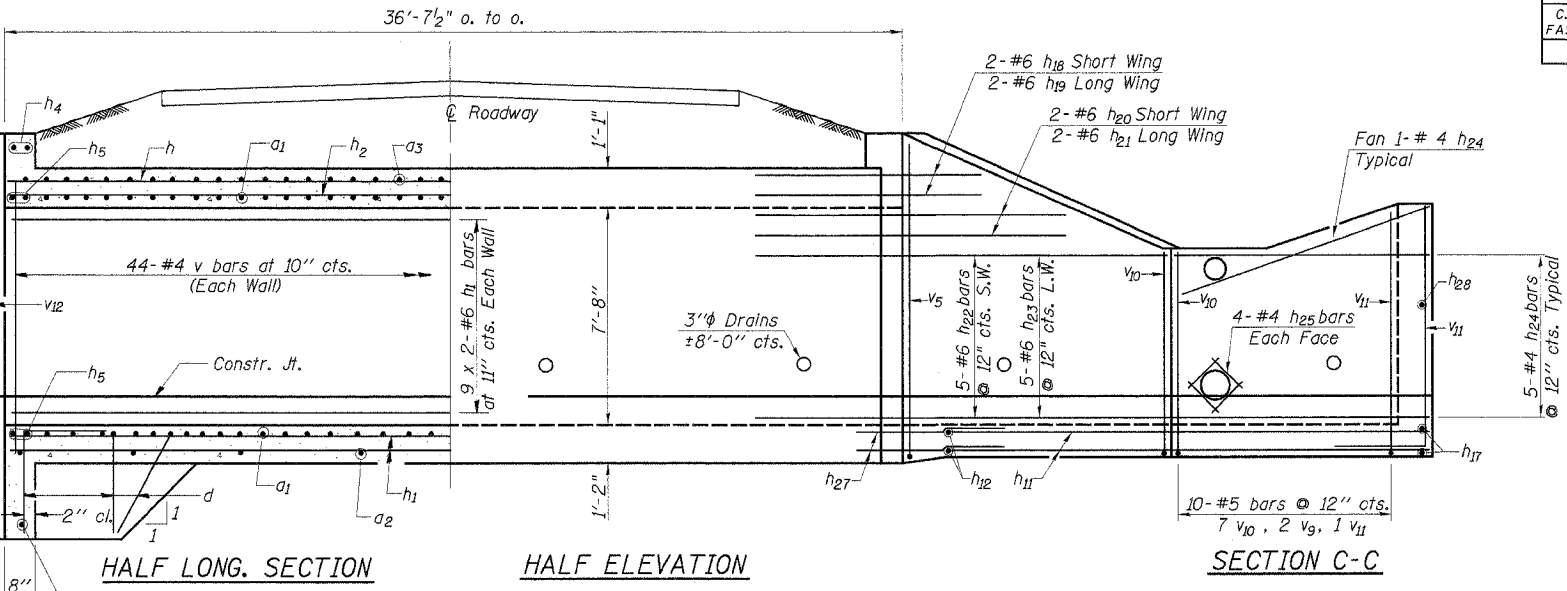
ROUTE NO.	SECTION	COUNTY	TOTAL SHEETS	SHEET NO.
C.H. 1	02-00076	MARSHALL	14	6
FAS 369	-00-BR			
ILLINOIS				
CONTRACT NO. 87278				



REINF.-FRONT FACE



REINF.-BACK FACE



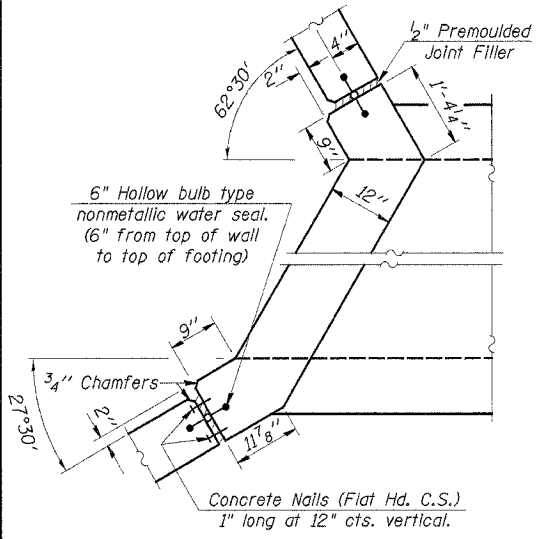
HALF LONG. SECTION

HALF ELEVATION

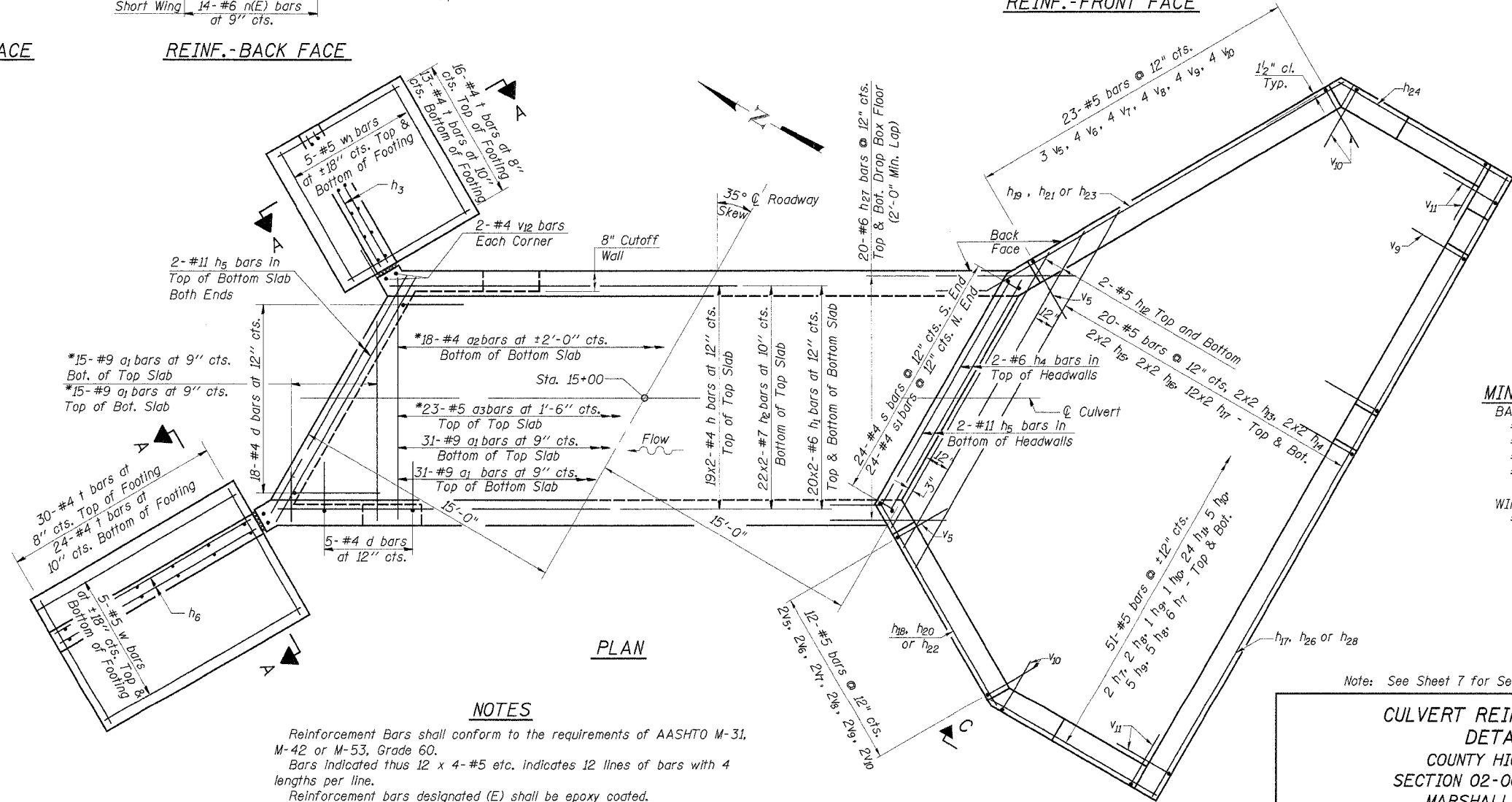
SECTION C-C

REINF.-FRONT FACE

* a bars in skew portion of slab shall be ordered full length & cut to fit. Balance of bar to be used in opposite end of culvert.



CORNER DETAIL



PLAN

MINIMUM BAR LAP
 BARREL & DROP BOX:
 #4 - 1'-4"
 #5 - 1'-8"
 #6 - 2'-0"
 #7 - 2'-9"

WINGWALLS:
 #4 - 1'-8"

NOTES

Reinforcement Bars shall conform to the requirements of AASHTO M-31, M-42 or M-53, Grade 60.
 Bars indicated thus 12 x 4-#5 etc. indicates 12 lines of bars with 4 lengths per line.
 Reinforcement bars designated (E) shall be epoxy coated.
 All construction joints shall be bonded.
 Exposed edges shall be beveled 3/4".
 See Proposal Booklet for Boring Data.
 The Precast Alternate is not allowed.

DESIGNED	F.J.S.
CHECKED	S.F.M.
DRAWN	S.A.P.
CHECKED	S.F.M.

SSB-T1-R 6-1-2000

Note: See Sheet 7 for Sections A-A & B-B

CULVERT REINFORCEMENT DETAIL
 COUNTY HIGHWAY 1
 SECTION 02-00076-00-BR
 MARSHALL COUNTY
 STATION 15+00

4440 ASH GROVE SPRINGFIELD, IL 62711 (217) 768-8600 oasinc@amvid.com	OZYURT AND STONE, INC. CONSULTING ENGINEERS	JOB NO.: 0412 FILE: 0412REINF.dgn DATE: 12-09-04
---	---	--