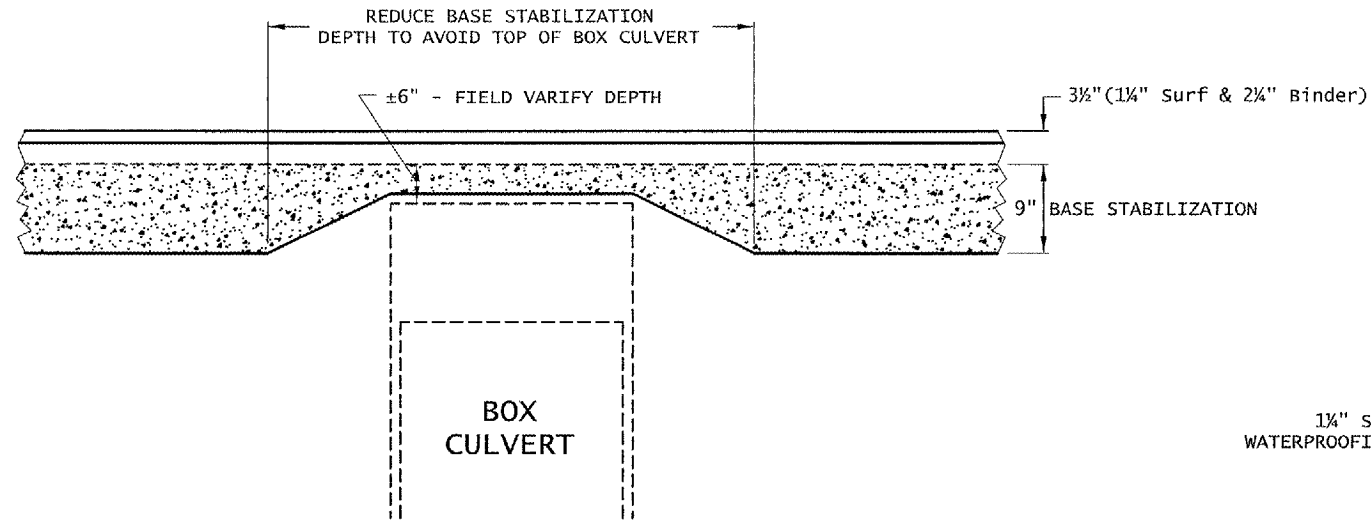
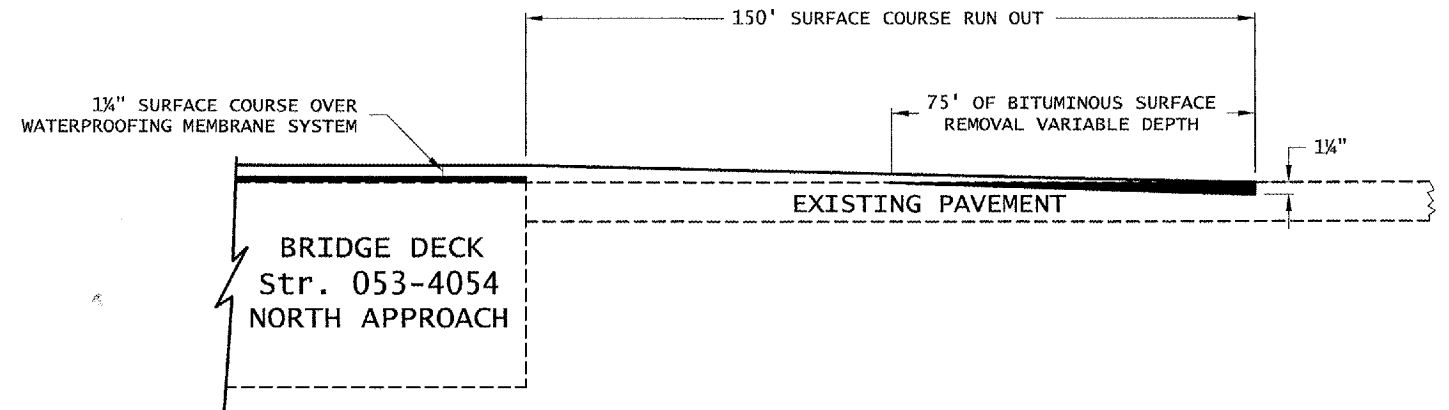


ROUTE NO.	SECTION	COUNTY	TOTAL SHEETS	SHEET NO.
355	03-00201-03-FP	LIVINGSTON	5	3

PROJECT NO. SR-355(119)

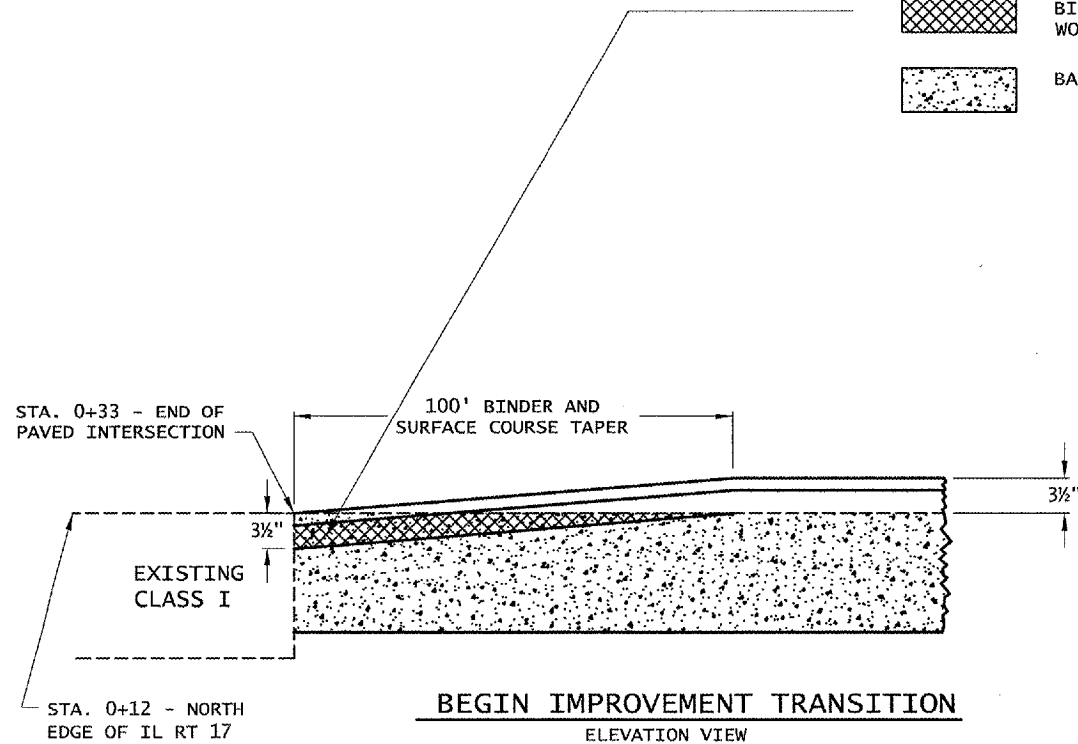


EXISTING BOX CULVERT, STA. 112+50
ELEVATION VIEW

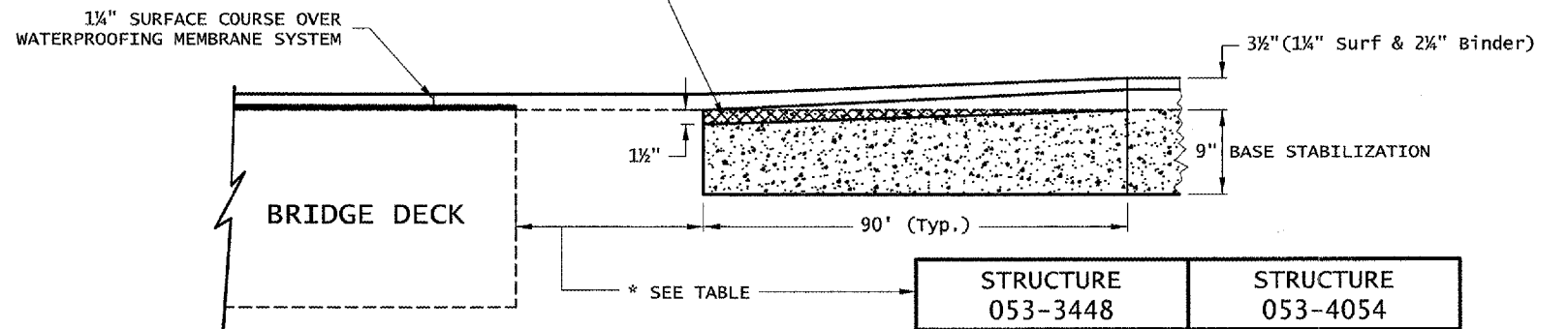


END IMPROVEMENT TAPER
ELEVATION VIEW

- MILLING AREA - BITUMINOUS SURFACE REMOVAL, VARIABLE DEPTH
- REMOVE STABILIZED MATERIAL IN TAPER AREA FOR BINDER AND SURFACE COURSE PLACEMENT, THIS WORK INCIDENTAL TO BASE STABILIZATION
- BASE STABILIZATION, 9"



BEGIN IMPROVEMENT TRANSITION
ELEVATION VIEW



STRUCTURE 053-3448		STRUCTURE 053-4054	
SOUTH APPROACH	55.0'	SOUTH APPROACH	60.0'
NORTH APPROACH	40.0'	NORTH APPROACH	SEE END OF IMPROVEMENT TAPER

TRANSITION AT BRIDGES
ELEVATION VIEW