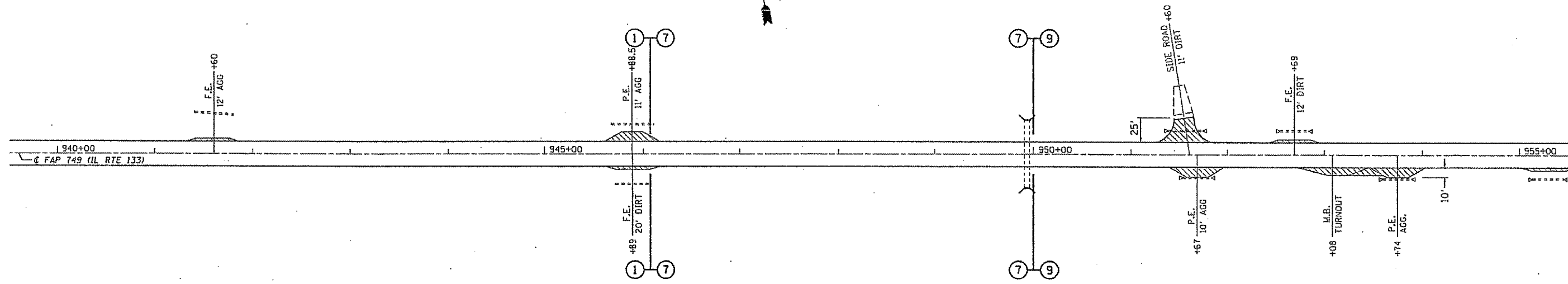
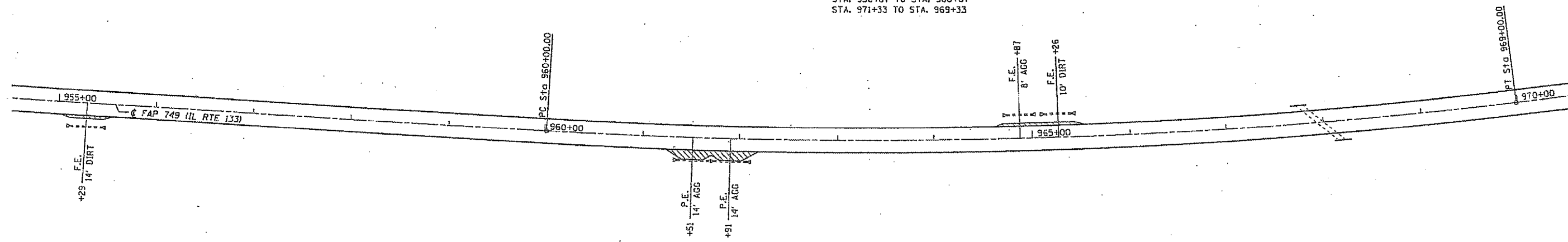


F.A.P. RTE.	SECTION	COUNTY	TOTAL SHEETS	SHEET NO.
749	122RS-3	*	54	38
STA. 940+00		TO STA. 970+00		
FED. ROAD DIST. NO.	ILLINOIS	FED. AID PROJECT		
CONTRACT NO. 90769				
* DOUGLAS, COLES & EDGAR				

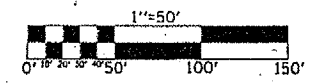


INCIDENTAL BITUMINOUS SURFACING

EXIST. CURVE DATA
 PI STA. = 965+00.00
 $\Delta = 10^\circ 38' 00''$ (LT)
 $D = 1^\circ 04' 00''$
 $R = 5,372.80'$
 $T = 500.00'$
 $L = 996.90'$
 $E = 23.20'$
 $S.E. = 0.030 \text{ \%/}$
 P.C. STA. = 960+00.00
 P.T. STA. = 969+00.00
 ATTAIN SUPERELEVATION:
 STA. 958+67 TO STA. 960+67
 STA. 971+33 TO STA. 969+33



INCIDENTAL BITUMINOUS SURFACING



ILLINOIS DEPARTMENT OF TRANSPORTATION
PLAN VIEW
 F.A.P. ROUTE 749 (IL RTE 133)
 SECTION 122RS-3
 DOUGLAS, COLES & EDGAR COUNTY
 SCALE: DATE 04/28/04 DRAWN BY: CADD CHECKED BY: