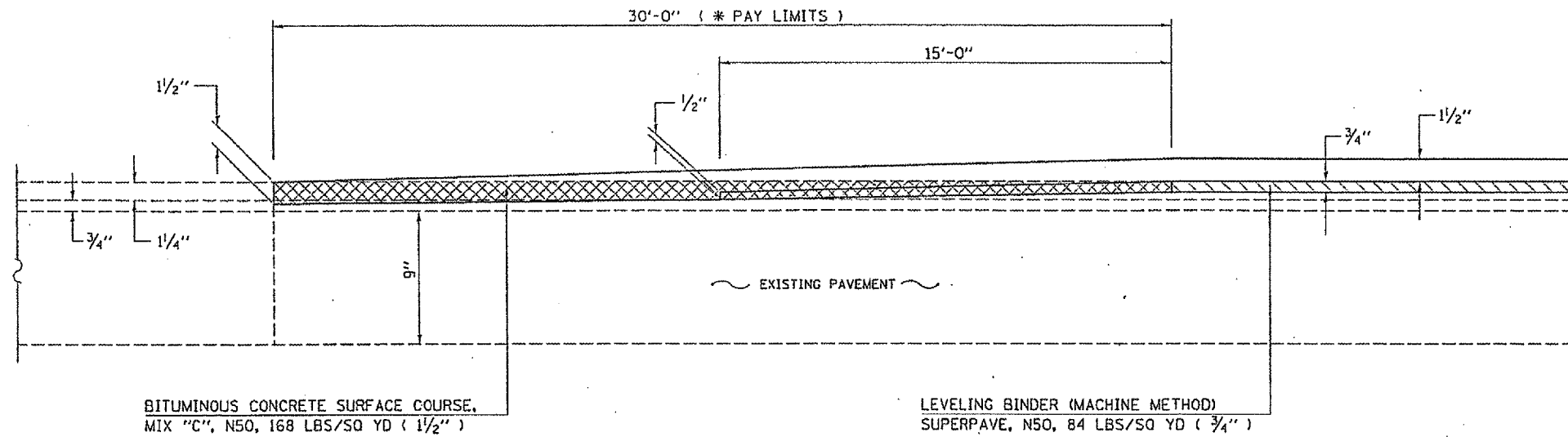


F.A.P. RTE.	SECTION	COUNTY	TOTAL SHEETS	SHEET NO.
749	122RS-3	*	54	45

CONTRACT NO. 90769  
 • DOUGLAS, COLES & EDGAR

### DETAIL OF BITUMINOUS SURFACE REMOVAL - BUTT JOINT

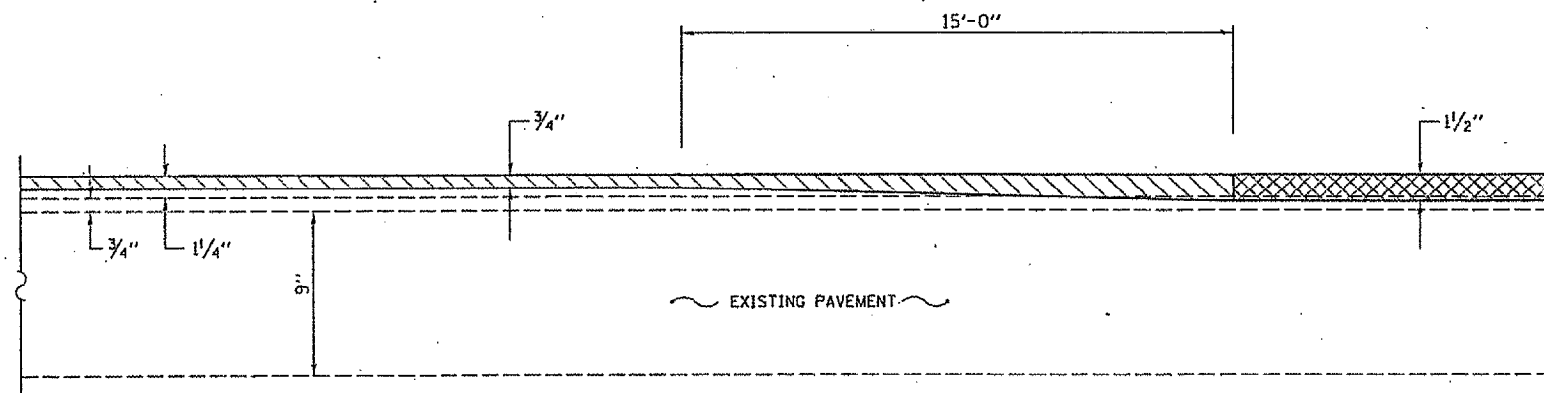


- BITUMINOUS SURFACE REMOVAL - BUTT JOINT
- BITUMINOUS SURFACE REMOVAL, 3/4"

* STATION	TO	STATION
550+20.6		550+50.6
711+19.33		711+49.33
714+69.81		714+99.81
930+20		930+50
936+20		936+50
1080+20		1080+50
31+19		31+49
59+50.66		59+20.66

### DETAIL OF MILLING TRANSITION FROM 3/4" TO 1 1/2"

STATION	TO	STATION
809+85		810+00
1072+14		1072+29
1075+00		1075+15
43+55		43+70
46+39		46+54



- BITUMINOUS SURFACE REMOVAL, 1/2"
- BITUMINOUS SURFACE REMOVAL, 3/4"

ILLINOIS DEPARTMENT OF TRANSPORTATION  
**BITUMINOUS SURFACE  
 REMOVAL DETAILS**  
 F.A.P. ROUTE 749 (IL RTE 133)  
 SECTION 122RS-3  
 DOUGLAS, COLES & EDGAR COUNTY

SCALE: DO NOT SCALE. DRAWN BY: CADD  
 DATE: 04/29/04 CHECKED BY: