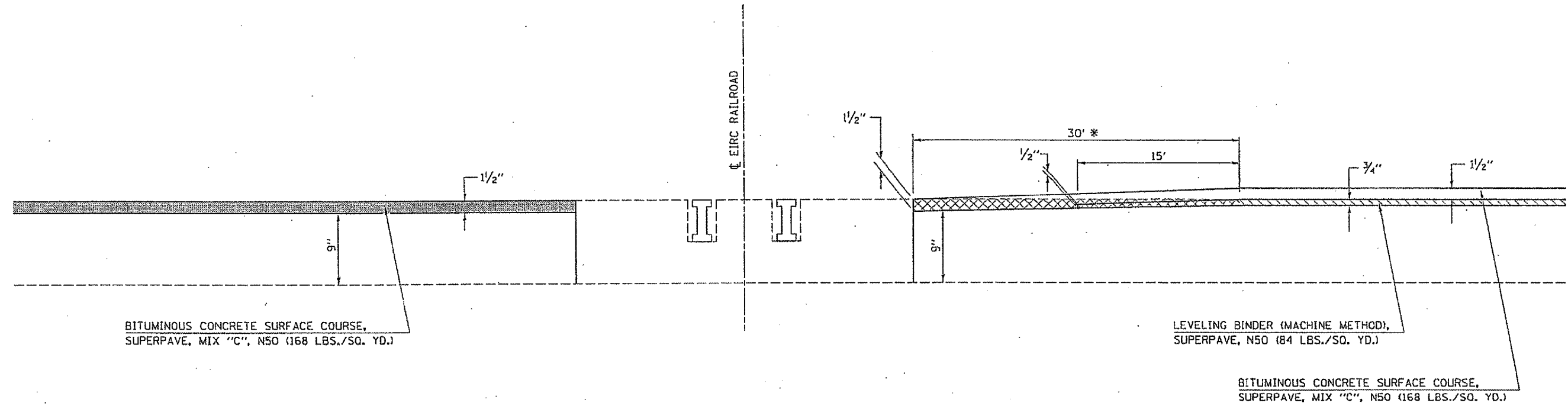


F.A.P. RTE.	SECTION	COUNTY	TOTAL SHEETS	SHEET NO.
749	122RS-3		54	46

CONTRACT NO. 90769  
 • DOUGLAS, COLES & EDGAR

### DETAIL OF BITUMINOUS SURFACE REMOVAL - BUTT JOINT FOR EIRC AT GRADE CROSSING

STATION TO STATION  
 829+63.10 TO 829+93.10



BITUMINOUS CONCRETE SURFACE COURSE,  
 SUPERPAVE, MIX "C", N50 (168 LBS./SQ. YD.)

LEVELING BINDER (MACHINE METHOD),  
 SUPERPAVE, N50 (84 LBS./SQ. YD.)

BITUMINOUS CONCRETE SURFACE COURSE,  
 SUPERPAVE, MIX "C", N50 (168 LBS./SQ. YD.)

- AT GRADE MILLING AREA
- BITUMINOUS SURFACE REMOVAL - BUTT JOINT
- BITUMINOUS SURFACE REMOVAL, 3/4"

NOTE:  
 SEE EIRC AT GRADE MILLING  
 DETAIL SHEET

\* PAY LIMITS BITUMINOUS  
 SURFACE REMOVAL - BUTT JOINT

ILLINOIS DEPARTMENT OF TRANSPORTATION  
BITUMINOUS SURFACE REMOVAL  
DETAILS EIRC GRADE CROSSING

F.A.P. ROUTE 749 (IL RTE 133)  
 SECTION 122RS-3  
 DOUGLAS, COLES & EDGAR COUNTY

SCALE: DO NOT SCALE DRAWN BY: CADD  
 DATE: 06/01/04 CHECKED BY: