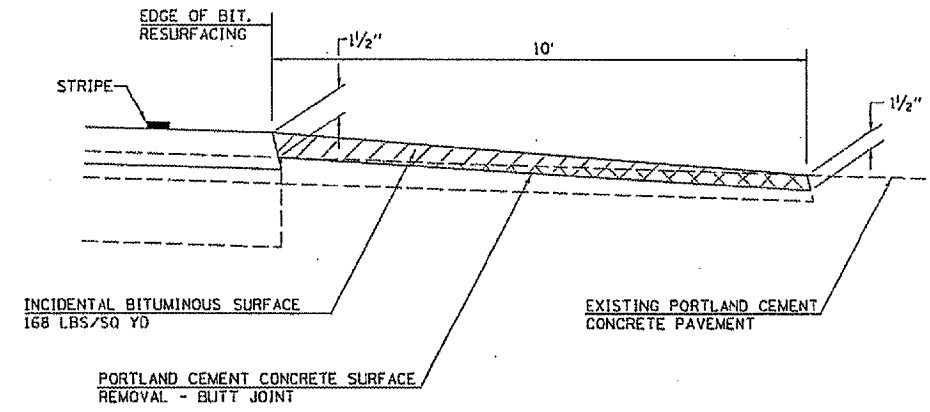


F.A.P. RITE.	SECTION	COUNTY	TOTAL SHEETS	SHEET NO.
749	122R5-3	*	54	48

CONTRACT NO. 90769
• DOUGLAS, COLES & EDGAR

CONCRETE ENTRANCE OR SIDEROAD DETAIL



NOTES: THE INCIDENTAL BITUMINOUS SURFACING IS INTENDED TO RESURFACE THE EXISTING ENTRANCES IN THEIR ENTIRETY. THE EXISTING SIDEROADS SHOULD BE RESURFACED TO MAINTAIN THEIR CURRENT RADII UNLESS OTHERWISE SHOWN IN PLANS.