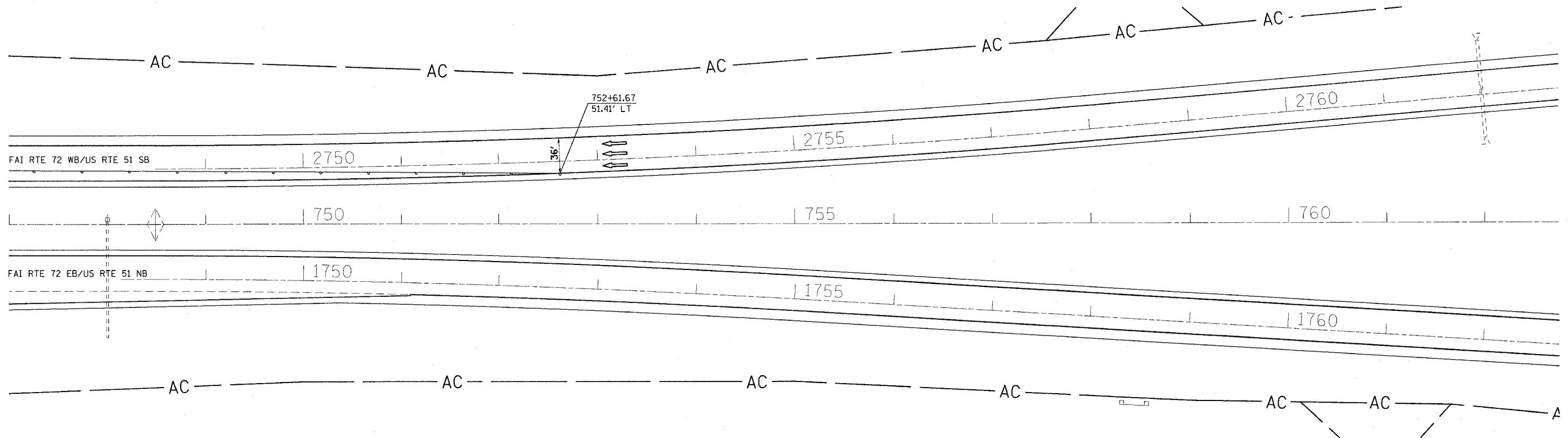
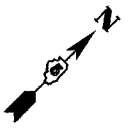
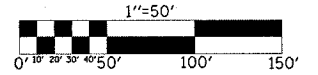


# TRAFFIC CONTROL STAGE I

STRUCTURE NUMBER 058-0074 E.B.  
STRUCTURE NUMBER 058-0075 W.B.

F.A.I. RTE.	SECTION	COUNTY	TOTAL SHEETS	SHEET NO.
72	*	MACON	135	64
STA. 747+00		TO STA. 762+00		
FED. ROAD DIST. NO.	ILLINOIS	FED. AID PROJECT		

(58-62,58-62-1,58-63)RS  
CONTRACT NO. 90879



**NOTES:**

TRAFFIC DETAILS NOT SHOWN ARE TO CONFORM WITH STANDARD 701402 AND STANDARD 701411 AND SPECIAL FREEWAY DETAIL.

DIRECTION INDICATOR BARRICADES REQUIRED IN ALL LANE CLOSER TAPERS WHEN USING STANDARD 701401 AND 701402 AND SPECIAL FREEWAY DETAIL.

MESSAGE BOARD MAY BE ADJUSTED TO MEET FIELD CONDITIONS.

RESIDENT ENGINEER AND TRAFFIC CONTROL SUPERVISOR WILL PROVIDE APPROPRIATE MESSAGE FOR THE CHANGEABLE MESSAGE SIGN.

PAVEMENT MARKING REMOVAL	SQ. FT.
STATION TO STATION	
LT 747+00.00 TO LT 752+61.67	187
747+00.00 TO 752+61.67	187
<b>TOTAL</b>	<b>374</b>

TEMPORARY PAINT PAVEMENT MARKING LINE 4"	FOOT
STATION TO STATION	
LT 747+00.00 TO LT 752+61.67	562 YELLOW
<b>TOTAL</b>	<b>562</b>

REVISIONS	
NAME	DATE

ILLINOIS DEPARTMENT OF TRANSPORTATION  
TRAFFIC CONTROL - STAGE I  
F.A.I. ROUTE 72  
SECTION (58-62,58-62-1,58-63)RS  
MACON COUNTY

SCALE: VERT. 1" = 50'  
HORIZ. DATE 10/22/03

DRAWN BY CADD  
CHECKED BY