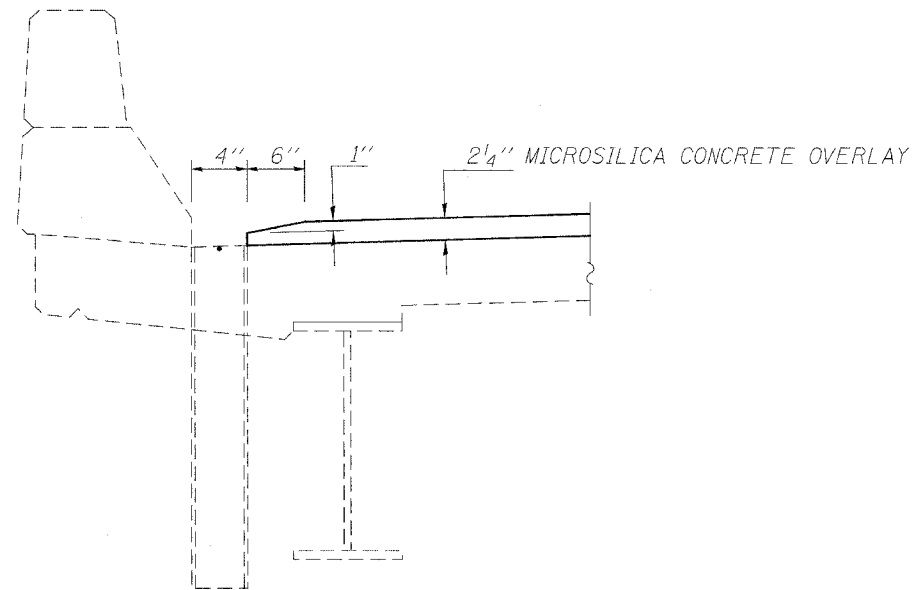


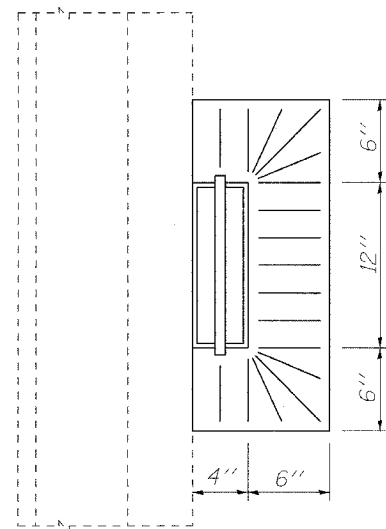
F.A.I. RTE.	SECTION	COUNTY	TOTAL SHEETS	SHEET NO.
72	*	MACON	135	82

• (58-62,58-62-1,58-63)RS  
CONTRACT NO. 90879

### DETAIL OF DRAIN AT CURB



### SECTION AT DRAIN



### PLAN VIEW

### DRAIN ELIMINATION DETAIL

#### SECTION AT DRAIN

