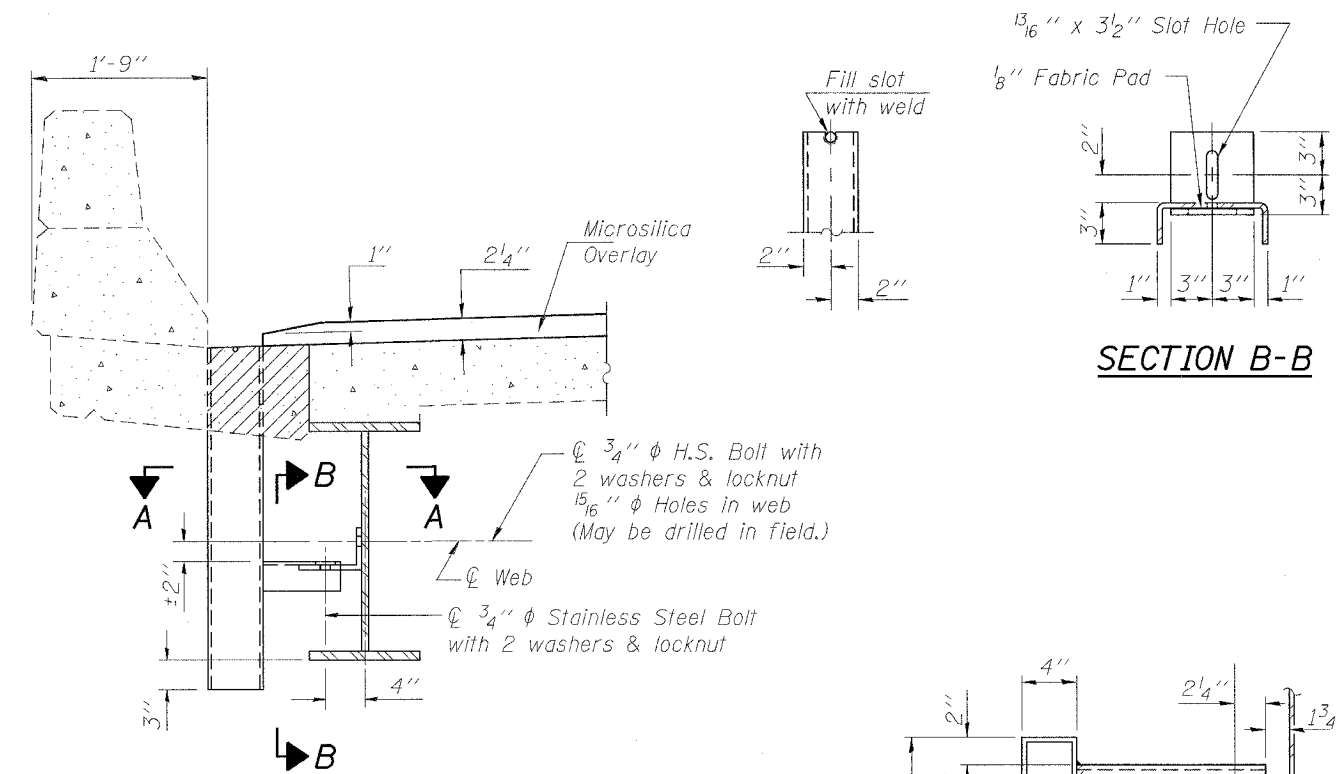


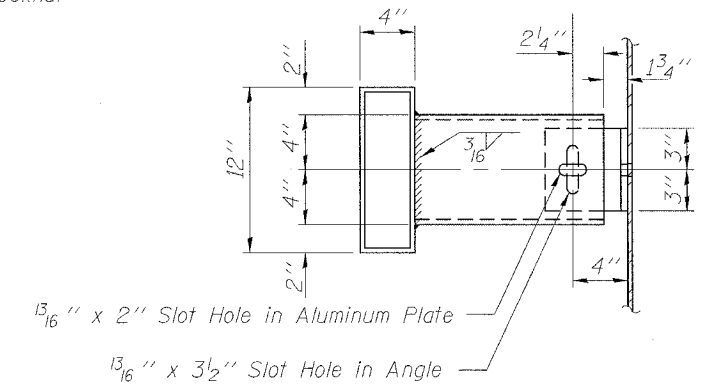
F.A.I. RTE.	SECTION	COUNTY	TOTAL SHEETS	SHEET NO.
72		MACON	135	95

(58-62,58-62-1,58-63)RS
CONTRACT NO. 90879

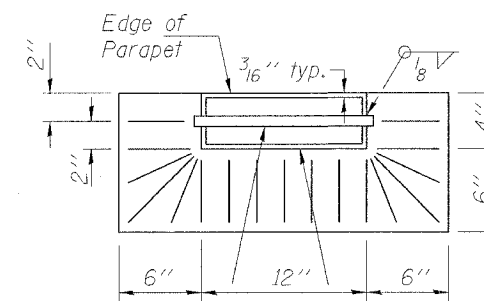
DETAIL FLOOR DRAIN



SECTION THRU PARAPET



SECTION A-A



3/4" φ x 1'-1" Aluminum Bar
ASTM: B 211 alloy 6061-T6

Aluminum Sheets Welded
ASTM: B 209 alloy 6061-T6
or Aluminum Extrusions
ASTM: B 221 alloy 6061-T6

TOP PLAN

Notes:
The exterior surfaces of the floor drains shall be painted with the finish coat as specified in the special provisions for Cleaning and Painting New Metal Structures. The exterior surfaces of the drains shall be cleaned according to Steel Structures Painting Council's Spec. SSPC-SP1 prior to painting. The contractor shall use extreme care during concrete removal so as not to damage the steel beam.