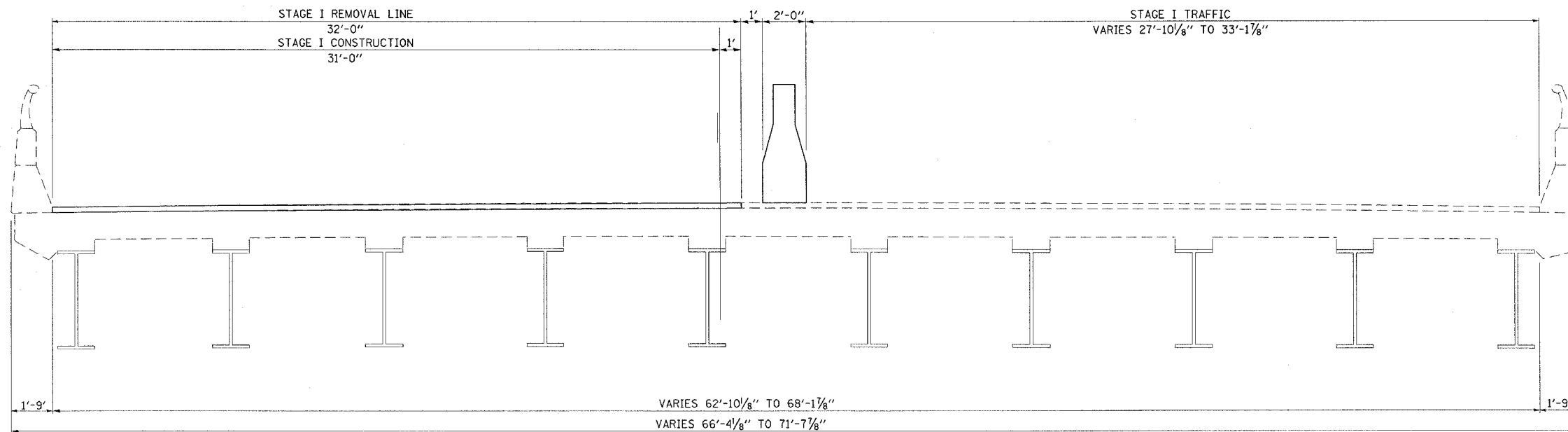
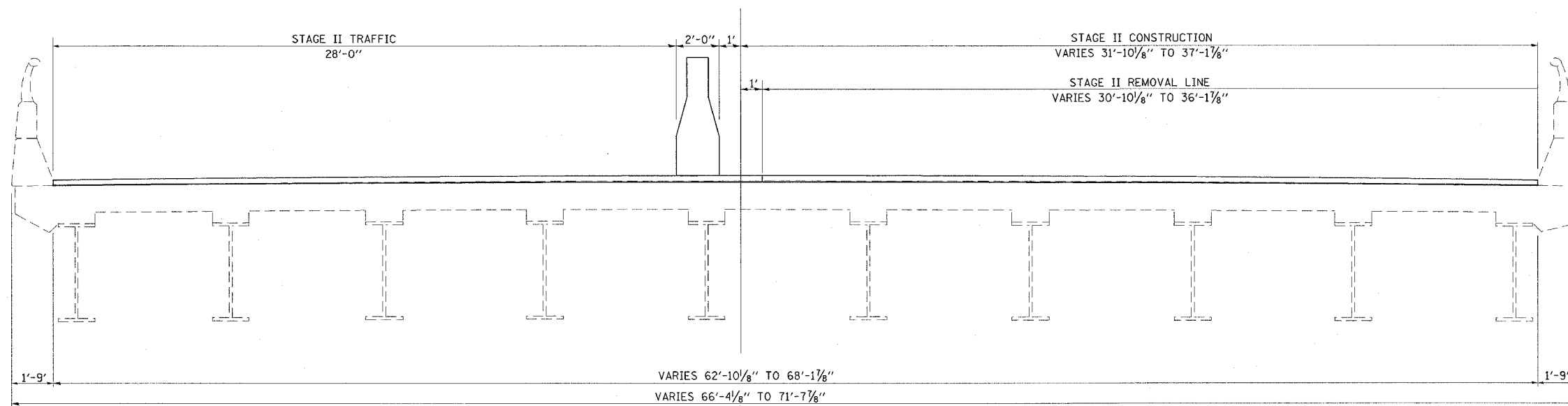


F.A.I. RTE.	SECTION	COUNTY	TOTAL SHEETS	SHEET NO.
72	*	MACON	135	100

•(58-62,58-62-1,58-63)RS
 CONTRACT NO. 90879
 SHEET 5 of 16



STAGE I CONSTRUCTION
 (LOOKING WEST)



STAGE II CONSTRUCTION
 (LOOKING WEST)

STAGE CONSTRUCTION DETAILS
 F.A.I. ROUTE 72 SEC. 58-63HVB
 MACON COUNTY
 S.N. 058-0075