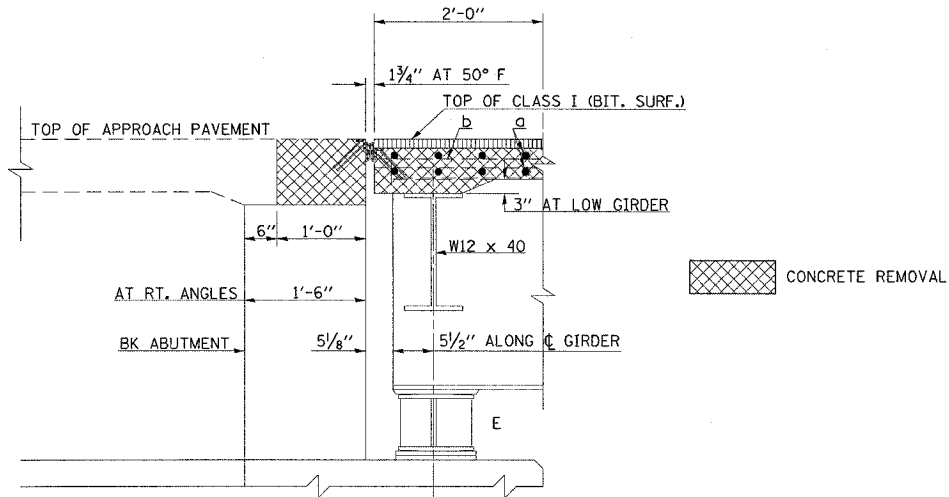
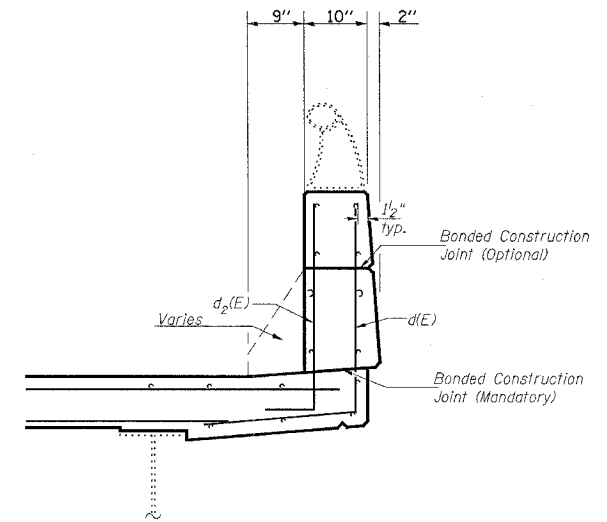


F.A.I. RTE.	SECTION	COUNTY	TOTAL SHEETS	SHEET NO.
72		MACON	135	105

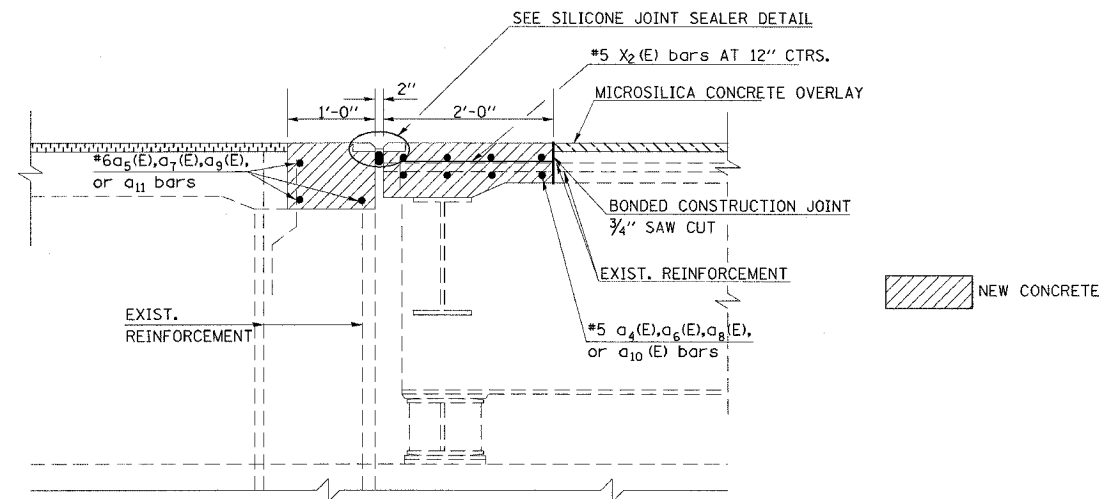
*(58-62,58-62-1,58-63)RS
 CONTRACT NO. 90879
 SHEET 10 of 16



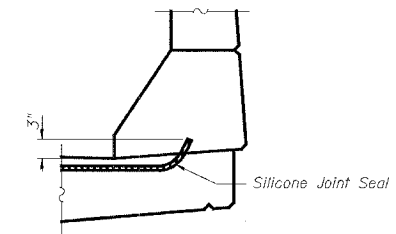
EXISTING SECTION AT SOUTH ABUTMENT



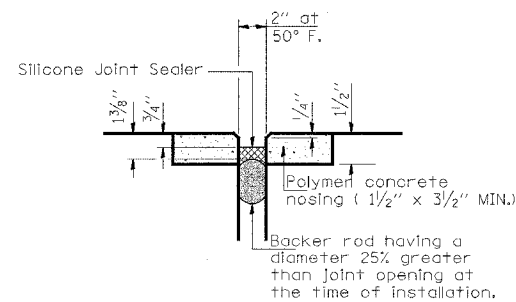
SECTION THRU PARAPET



PROPOSED SECTION AT SOUTH ABUTMENT



TYPICAL END OF SEAL TREATMENT AT EXPANSION JOINT



SILICONE JOINT SEALER DETAIL

BILL OF MATERIAL

Item	Unit	TOTAL	S.N. 058-0074	S.N. 058-0075
Concrete Removal	Cu. Yd.	18.6	8.4	10.2
Concrete Superstructure	Cu. Yd.	18.0	8.1	9.9
Polymer Concrete	Cu. Ft.	8.6	4.0	4.6
Reinforcement Bars, Epoxy Coated	Pound	1,960.0	920.0	1,040.0
Silicone Joint Sealer, 2"	Foot	126.0	59.0	67.0
Bar Splicers	Each	22	11.0	11.0

JOINT REPAIR AT SOUTH ABUTMENT
F.A.I. ROUTE 72 SEC. 58-63HVB
MACON COUNTY
S.N. 058-0074 & S.N. 058-0075