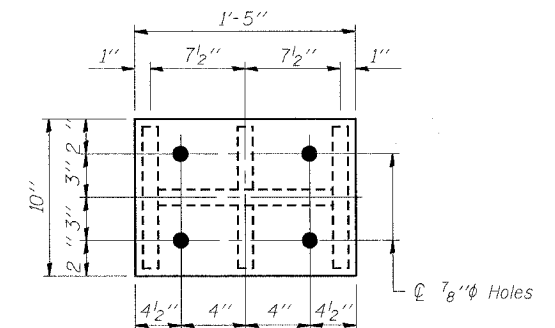
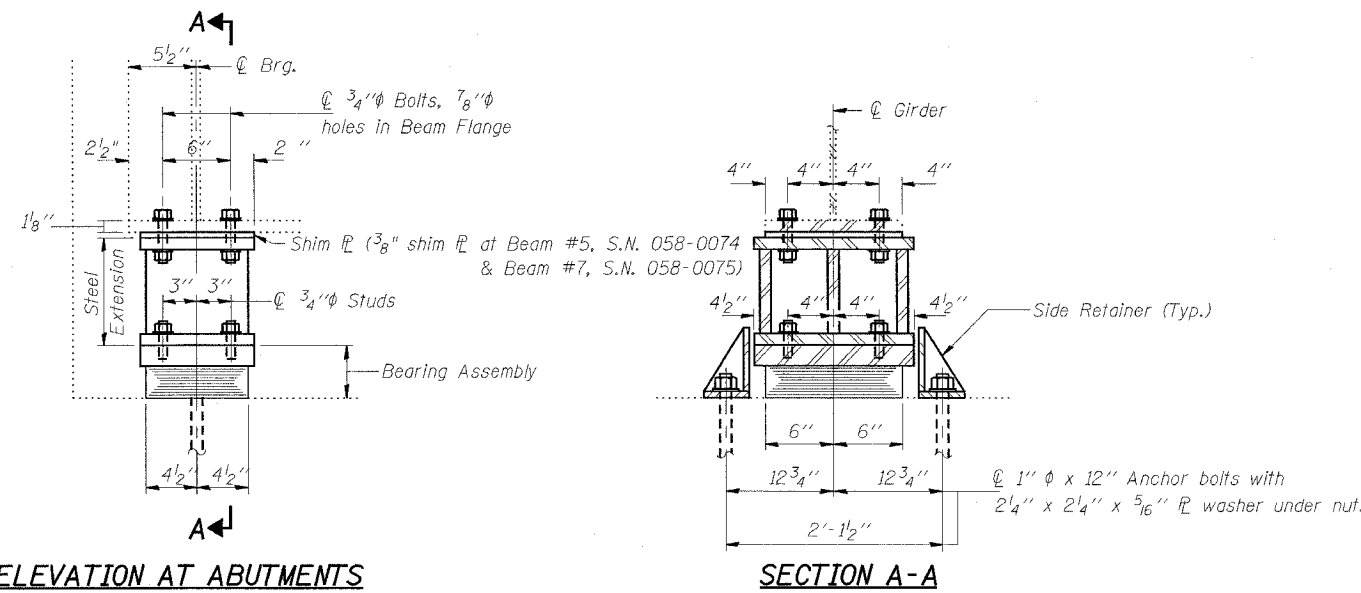


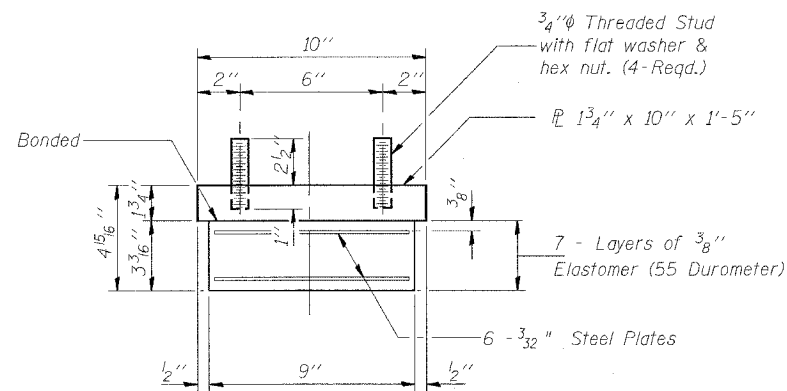
**GIRDER REACTIONS**

R <sub>l</sub>	(K)	42.9
R <sub>r</sub>	(K)	42.3
Imp.	(K)	9.5
R (Total)	(K)	94.7

Notes: Diaphragm removal and reinstallation may be required to facilitate drilling holes. Cost shall be included in the cost of Furnishing and Erecting Structural Steel.  
New steel extensions, side retainers, shim  $\pi$ 's, connection bolts, and anchor bolts are included in Furnishing and Erecting Structural Steel.  
See Sheet 16 of 16 for Anchor Bolt installation.  
Prior to ordering any material, the Contractor shall verify in the field all bearing height and shim thickness dimensions.  
Min. jack capacity = 51 Tons.

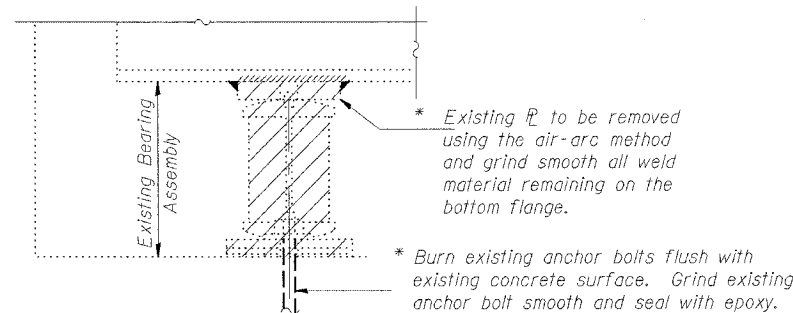


**TYPE I ELASTOMERIC EXP. BRG.**

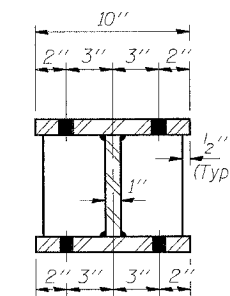


**BEARING ASSEMBLY**

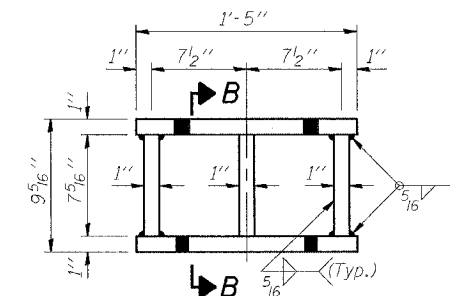
Note: Shim plates shall not be placed under Bearing Assembly.



**EXISTING BEARING REMOVAL DETAIL**



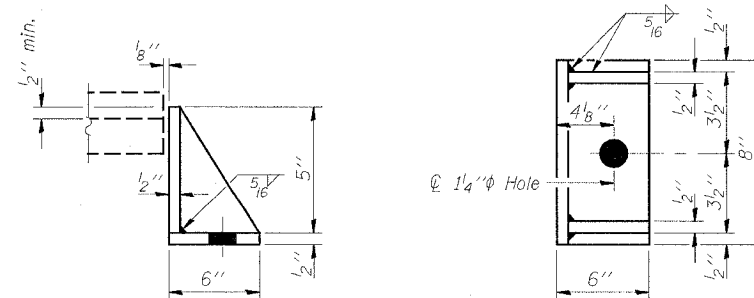
**SECTION B-B**



**STEEL EXTENSION DETAIL**

**BILL OF MATERIAL**

Item	Unit	Total	S.N. 058-0074	S.N. 058-0075
Elastomeric Bearing Assembly Type I	Each	19.0	9.0	10.0
Jack and Remove Existing Bearing	Each	19.0	9.0	10.0
Furnishing and Erecting Structural Steel	Lbs.	2450.0	2140.0	2310.0



**SIDE RETAINER**

Equivalent rolled angle with stiffeners will be allowed in lieu of welded plates.

**BEARING DETAILS**  
**S. ABUTMENT**  
 F.A.I. ROUTE 72 SEC. 58-63HVB  
 MACON COUNTY  
 SN 058-0074 & S.N. 058-0075