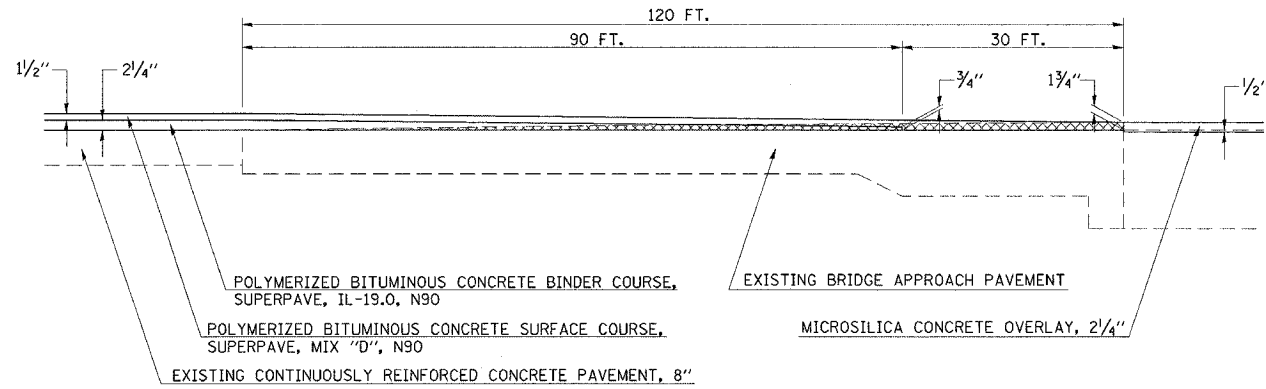


**DETAIL OF RUNDOWN AT DUAL STRUCTURE**

S. N. 058-0068 & S. N. 058-0069  
 S. N. 058-0070 & S. N. 058-0071



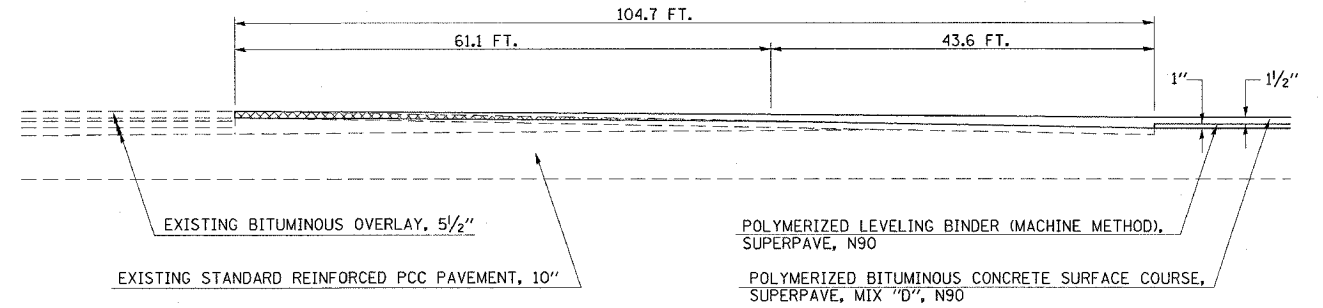
BITUMINOUS SURFACE REMOVAL - BUTT JOINT

F.A.I. RTE.	SECTION	COUNTY	TOTAL SHEETS	SHEET NO.
72		MACON	135	113

**DETAIL OF BITUMINOUS SURFACE REMOVAL - BUTT JOINT**

START OF LIMITS - IL 121 - STATION 878+24.32

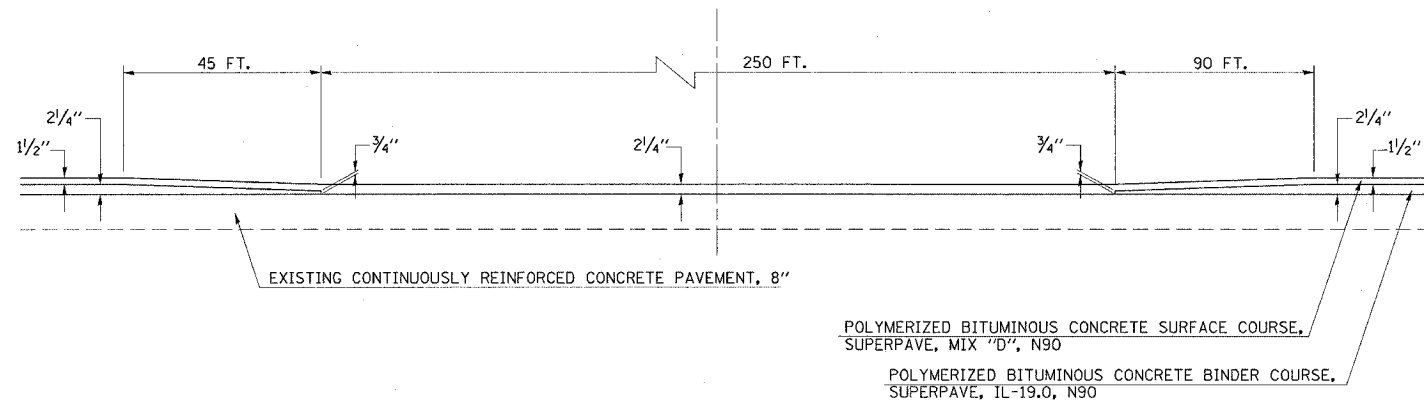
(58-62,58-62-1,58-63)RS  
 CONTRACT NO. 90879



BITUMINOUS SURFACE REMOVAL - BUTT JOINT

**DETAIL OF RUNDOWN UNDER OVERHEAD STRUCTURE**

S. N. 058-0076  
 EASTBOUND & WESTBOUND LANES



PCC SURFACE REMOVAL - BUTT JOINT

**DETAIL OF PORTLAND CEMENT CONCRETE REMOVAL - BUTT JOINT**

END OF LIMITS - IL 121 - STATION 920+60.90

