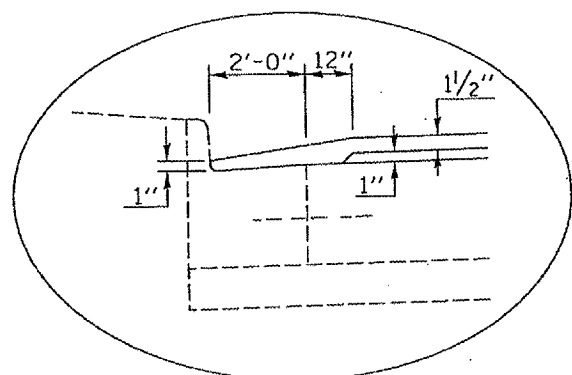
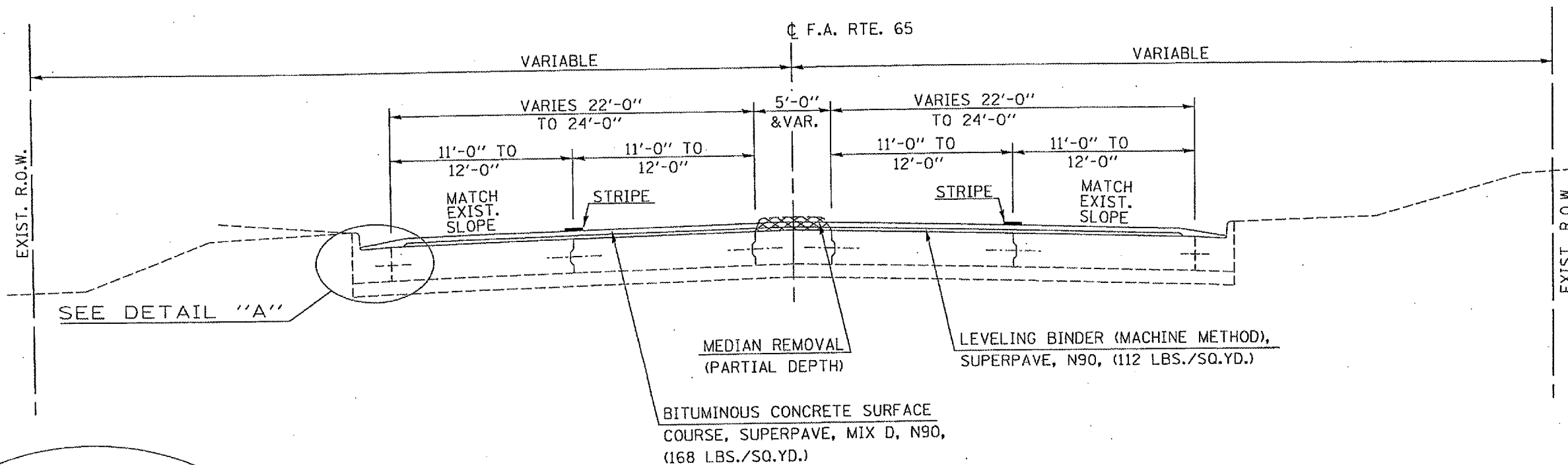


F.A.P. RTE.	SECTION	COUNTY	TOTAL SHEETS	SHEET NO.
716	130(R,R-1)RS	MACON	36	16

CONTRACT NO. 90929

PROPOSED TYPICAL CROSS SECTION 3

	STATION	TO	STATION	
2	128+97.00 RT. & 129+30.00 LT.		130+78.00	4
4	132+85.00		134+71.20	4



DETAIL "A"