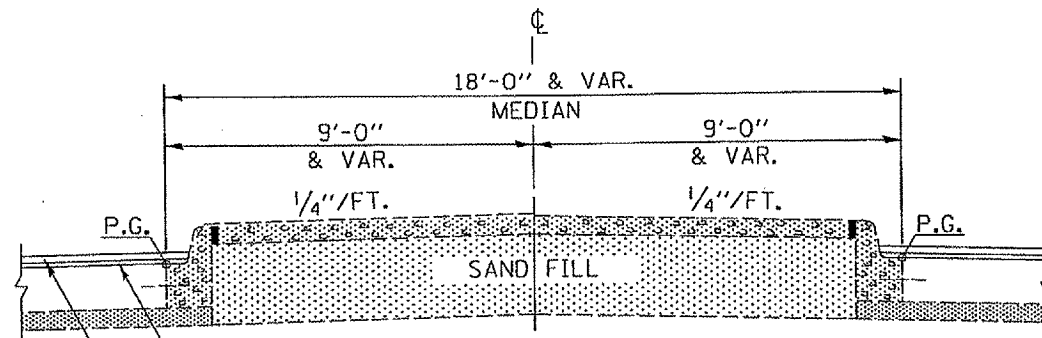


F.A.P. RTE.	SECTION	COUNTY	TOTAL SHEETS	SHEET NO.
716	130(R,R-DRS)	MACON	36	20

CONTRACT NO. 90929

PROPOSED DETAIL OF BARRIER MEDIAN

STATION 86+50.93 TO STATION 87+23.39

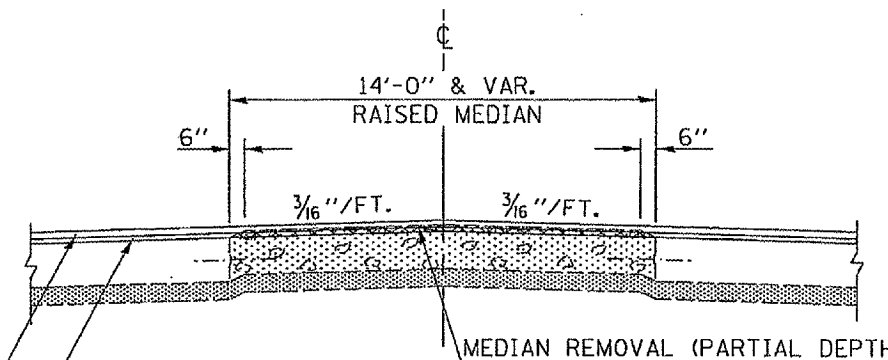


LEVELING BINDER (MACHINE METHOD),
SUPERPAVE, N90, (112 LBS./SQ. YD.)

BITUMINOUS CONCRETE SURFACE
COURSE, SUPERPAVE, MIX D, N90,
(168 LBS./SQ. YD.)

PROPOSED DETAIL OF RAISED PCC MEDIAN, 10" (PARTIAL DEPTH REMOVAL)

STATION	TO	STATION
92+33.00		97+00.00
97+00.00		97+81.00
98+81.00		103+00.00
103+00.00		104+39.00
105+39.00		109+00.00
109+00.00		110+00.00
121+00.00		124+25.00
125+25.00		127+00.00
127+00.00		128+15.00
136+82.80		139+00.00
139+00.00		143+44.00
144+00.00		145+00.00
145+00.00		151+00.00



LEVELING BINDER (MACHINE METHOD),
SUPERPAVE, N90, (112 LBS./SQ. YD.)

BITUMINOUS CONCRETE SURFACE
COURSE, SUPERPAVE, MIX D, N90,
(168 LBS./SQ. YD.)