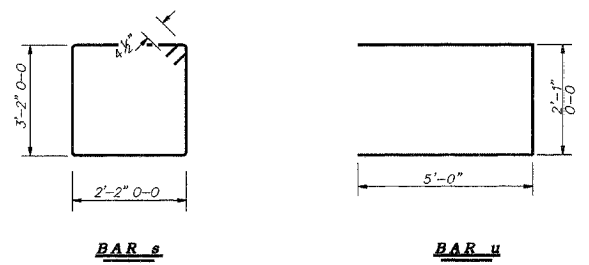


ELEVATION



BAR s

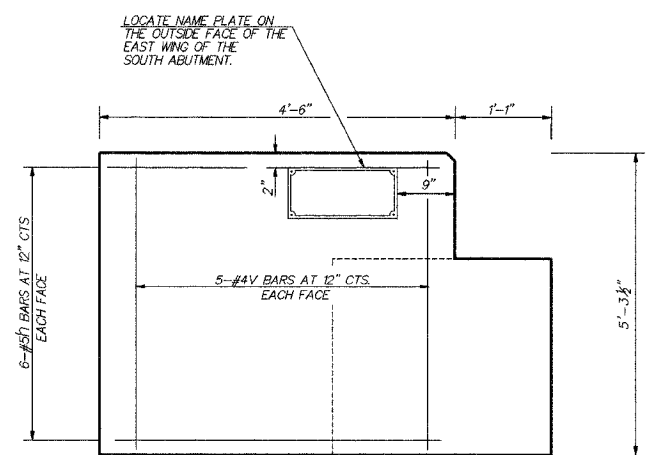
BAR u

PILE DATA

BOTH ABUTMENTS

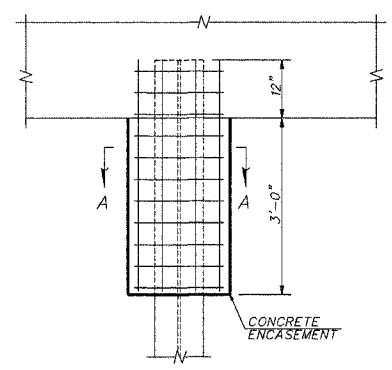
TYPE	HP10 x 57
NO. REQUIRED	8 *
DESIGN CAPACITY	29 TON/PILE**
EST. LENGTH	25 FT. FOR NORTH ABUTMENT
EST. LENGTH	34 FT. FOR SOUTH ABUTMENT

*INCLUDES ONE TEST PILE TO BE DRIVEN AT A PERMANENT LOCATION IN THE SOUTH ABUTMENT
 **DRIVE TO 44 (TON/PILE)

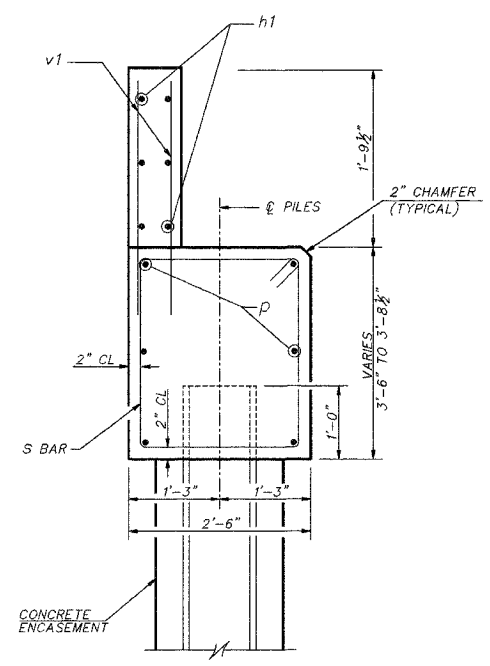


WINGWALL ELEVATION

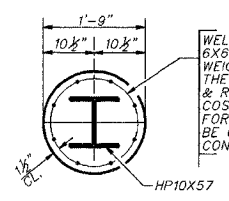
TIE 3-#5h BARS & 2-#4v EACH FACE IN ABUTMENT BARREL FOR WINGWALL TO TIE IN WITH.



PILE ENCASEMENT DETAIL



SECTION B - B
SECTION THROUGH ABUTMENT



SECTION A - A

WELDED WIRE FABRIC 6X6-W4.0 X W4.0 WEIGHING 58#/100 SQ. FT. THE COST OF EXCAVATION, & REINF. IS INCIDENTAL TO THE COST OF FURNISHING PILES. FORMS FOR ENCASEMENT MAY BE OMITTED WHEN SOIL CONDITIONS PERMIT.

BILL OF MATERIAL
TWO ABUTMENTS

BAR	NO.	SIZE	LENGTH	SHAPE
h	48	#5	4'-2"	—
h1	12	#4	27'-10"	—
D	12	#7	29'-10"	—
S	60	#4	11'-5"	□
U	16	#6	12'-1"	□
V	40	#4	5'-0"	—
V1	116	#4	3'-3"	—
CONCRETE STRUCTURES			CU. YD.	25.5
REINFORCEMENT BARS			POUND	2300
FUR. STEEL PILES HP10x57			FOOT	202
TEST PILE STEEL HP10x57			EACH	1
DRIVING STEEL PILES			FOOT	202
CONCRETE ENCASEMENT			CU. YD.	2.1
STRUCTURE EXCAVATION			CU. YD.	84.3

NOTES: THE BACKWALL AND THE WINGS SHALL BE POURED AFTER THE DECK BEAMS ARE IN PLACE. ALL EXPOSED EDGES SHALL BE CHAMFERED 2" UNLESS OTHERWISE NOTED.

ABUTMENT DETAILS
 SECTION 98-13116-00-BR
 STRATTON TOWNSHIP
 EDGAR COUNTY

McCLINTOCK
 CIVIL ENGINEERING SERVICE
 404 SHAW AVE. PARSIPPANY, N.J. 07944
 PHONE (201) 465-6100

DRN: TLC	DATE: 4/11/03	SHEET 6 OF 11
CK: RLM	SCALE:	JOB NO. 3137-500-00
REPRD: 1/14/05		