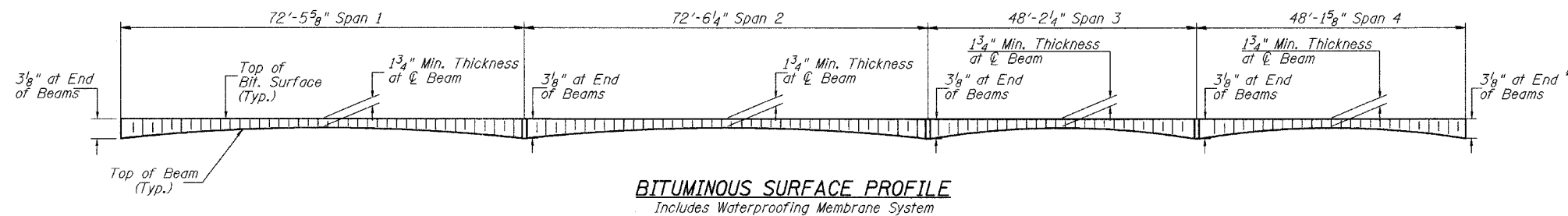
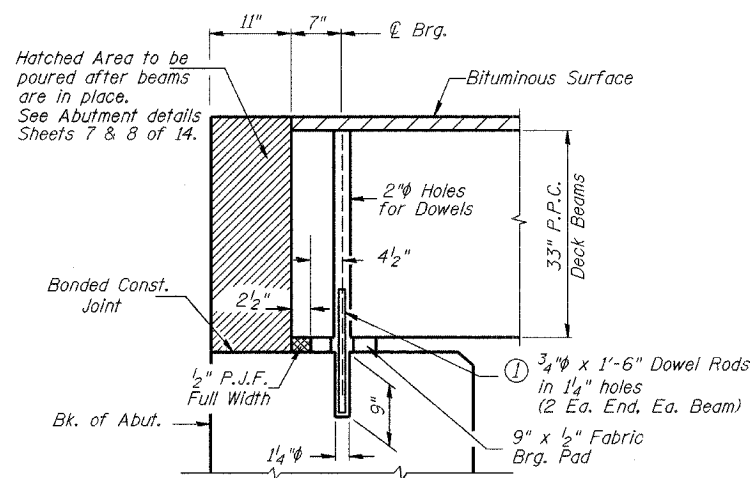


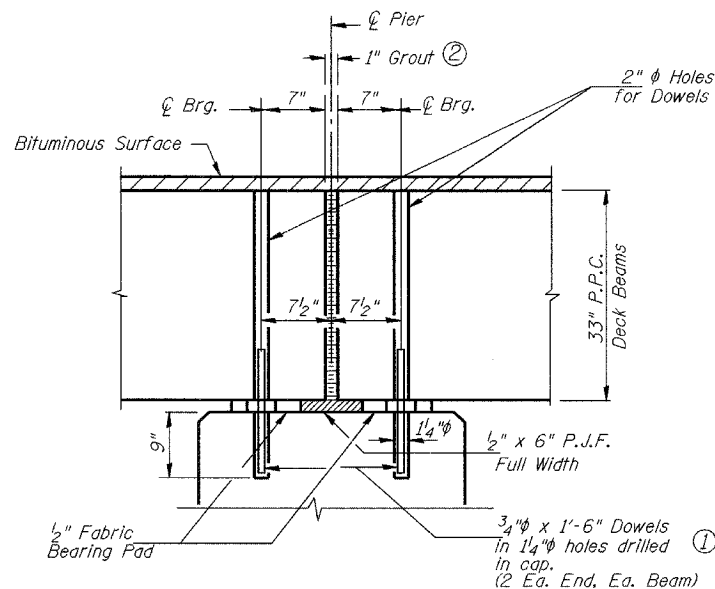
93388



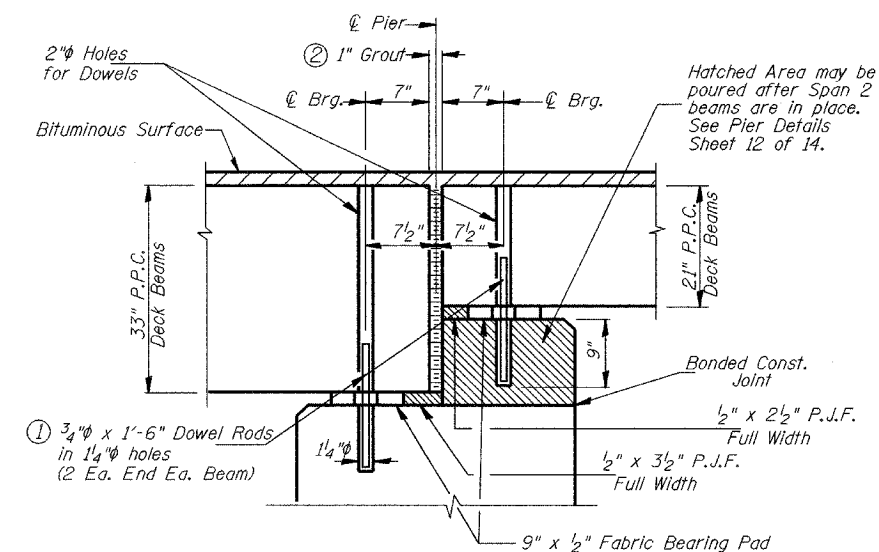
*Superelevation on Span 4 to be achieved with placement of additional Bituminous Surface.



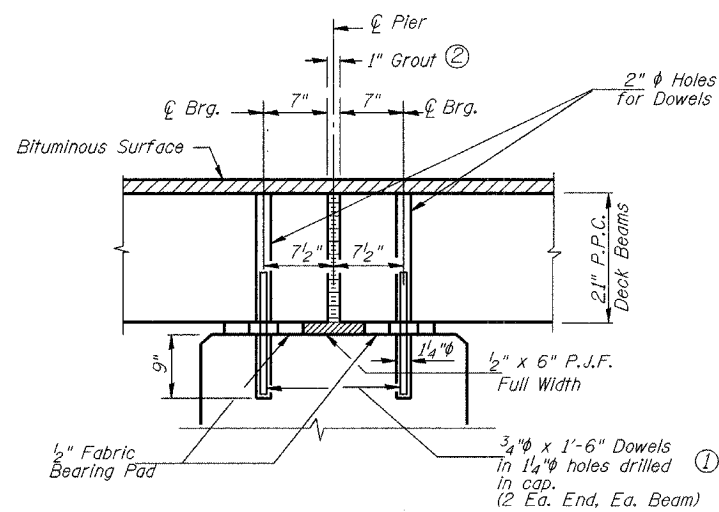
SECTION THRU WEST ABUTMENT
(At Right Angles)



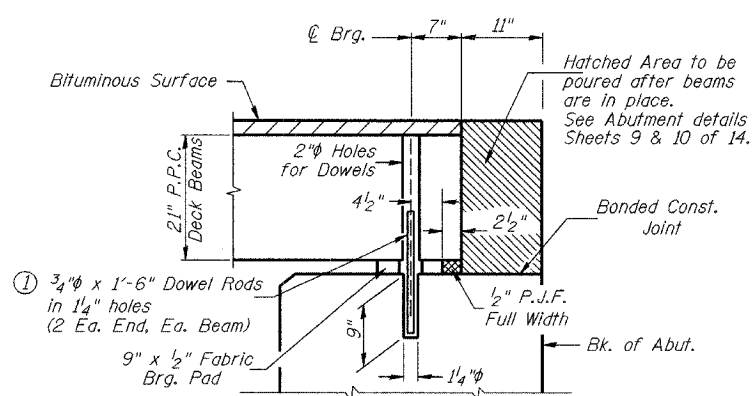
SECTION THRU PIER #1
(At Right Angles)



SECTION THRU PIER #2
(At Right Angles)



SECTION THRU PIER #3
(At Right Angles)



SECTION THRU EAST ABUTMENT
(At Right Angles)

- ① Dowel Rods to be grouted after beams are in place and allowed to cure (Min. 24 hr.) prior to grouting the shear keys.
- ② 1" Joint shall be packed with a very dry mix of 2:1 sand and P.C. mortar. 1" Dimension may vary plus or minus to accommodate tolerance in beam lengths.

SUPERSTRUCTURE DETAILS
C.H. 19 OVER CONOVER BRANCH
SECTION 02-00088-00-BR
MORGAN COUNTY
STATION 160+96.19