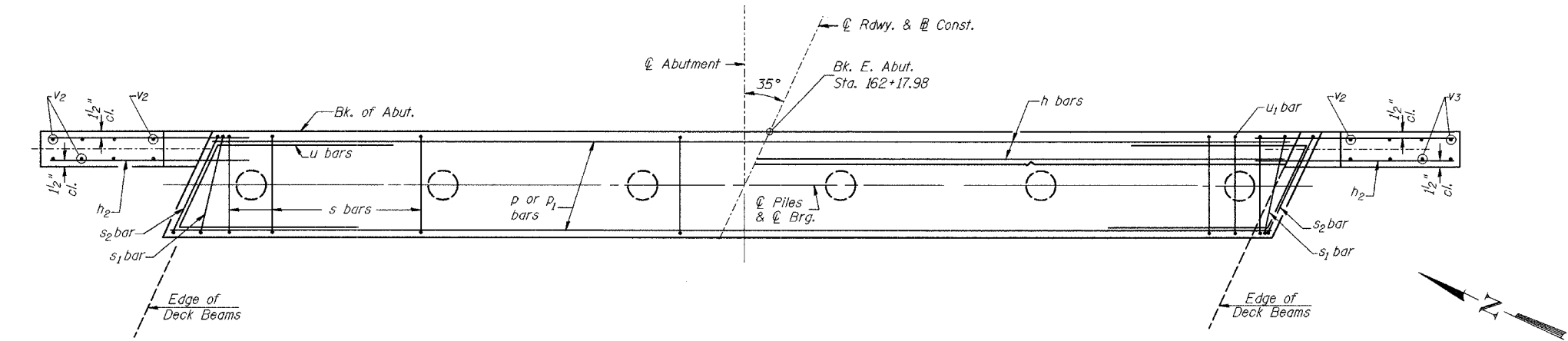
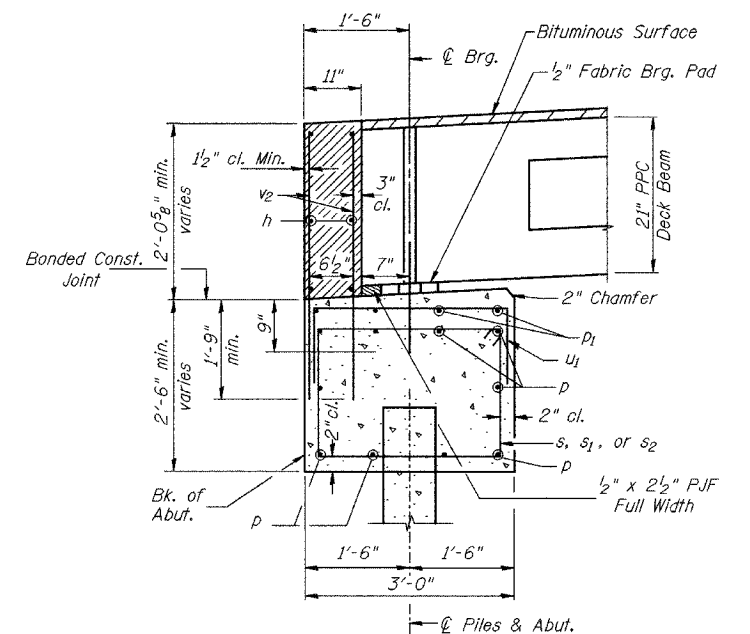


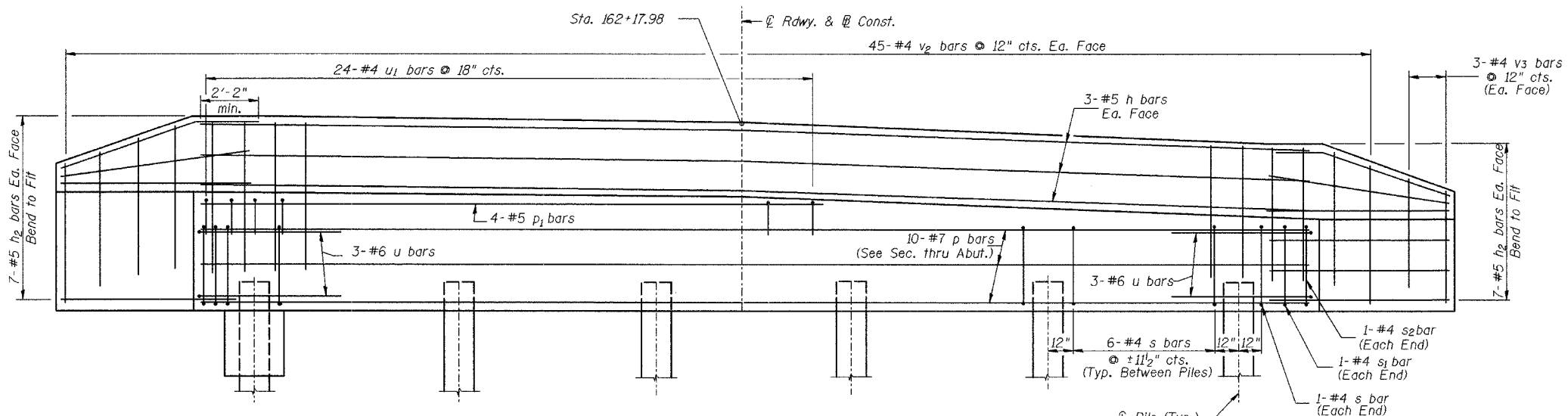
93388



**PLAN**  
(Showing Reinforcement)



**SECTION THRU ABUT.**  
(At Right Angles)



**ELEVATION**  
(Front View of Abutment Showing Reinforcement)

**EAST ABUTMENT  
BILL OF MATERIAL**

BAR	NO.	SIZE	LENGTH	SHAPE
h	6	#5	37'-6"	—
h2	28	#5	7'-0"	—
p	10	#7	37'-6"	—
p1	4	#5	33'-8"	—
s	32	#4	10'-5"	□
s1	2	#4	7'-10"	□
s2	2	#4	8'-8"	□
u	6	#6	12'-2"	□
u1	24	#4	6'-4"	□
v2	90	#4	3'-11"	—
v3	6	#4	3'-1"	—
Concrete Structures			CU YD	17.6
Reinforcement Bars			POUND	2,050
Structure Excavation			CU YD	50
Furnishing Metal Pile Shells 14"			FOOT	275
Driving and Filling Shells			FOOT	275
Test Pile Metal Shells			EACH	1
Concrete Encasement			CU YD	1.9

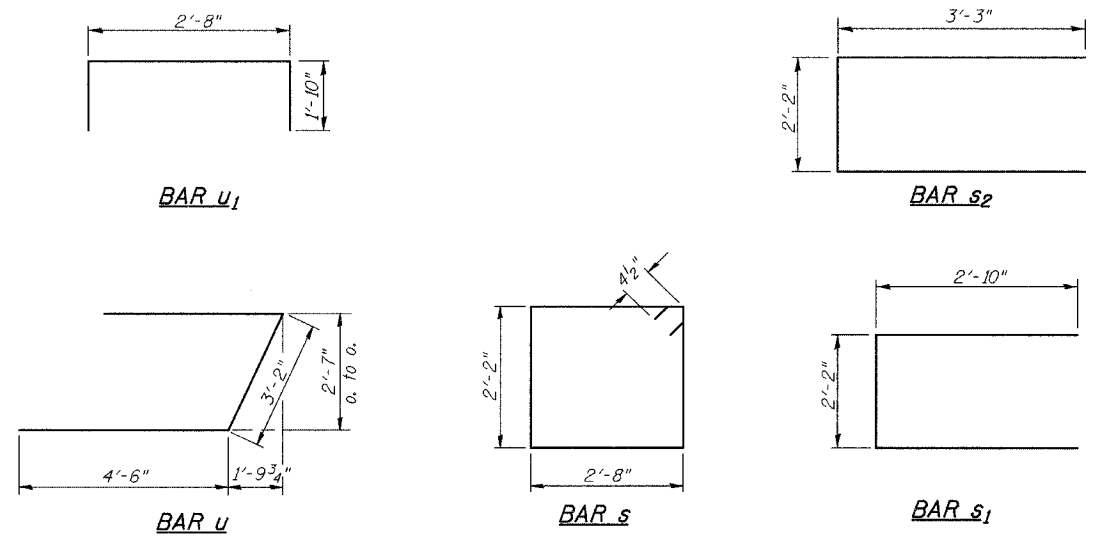
① See Special Provisions

**DESIGN STRESSES**

$f'_c = 3,500$  p.s.i.  
 $f_y = 60,000$  p.s.i.

**PILE DATA**

Type: 14" Metal Shell  
Capacity: 35 Ton  
Est. Length: 55'  
No. Req'd.: 6 (Includes 1 Test Pile)



**NOTES**

- The Backwall and the portion of the Wingwalls above the bonded construction joint shall be cast against the in-place beam.
- Reinforcement bars shall conform to A.A.S.H.T.O. M-31 or M-322, Grade 60.

**EAST ABUTMENT DETAILS**  
**C.H. 19 OVER CONOVER BRANCH**  
**SECTION 02-00088-00-BR**  
**MORGAN COUNTY**  
**STATION 160+96.19**