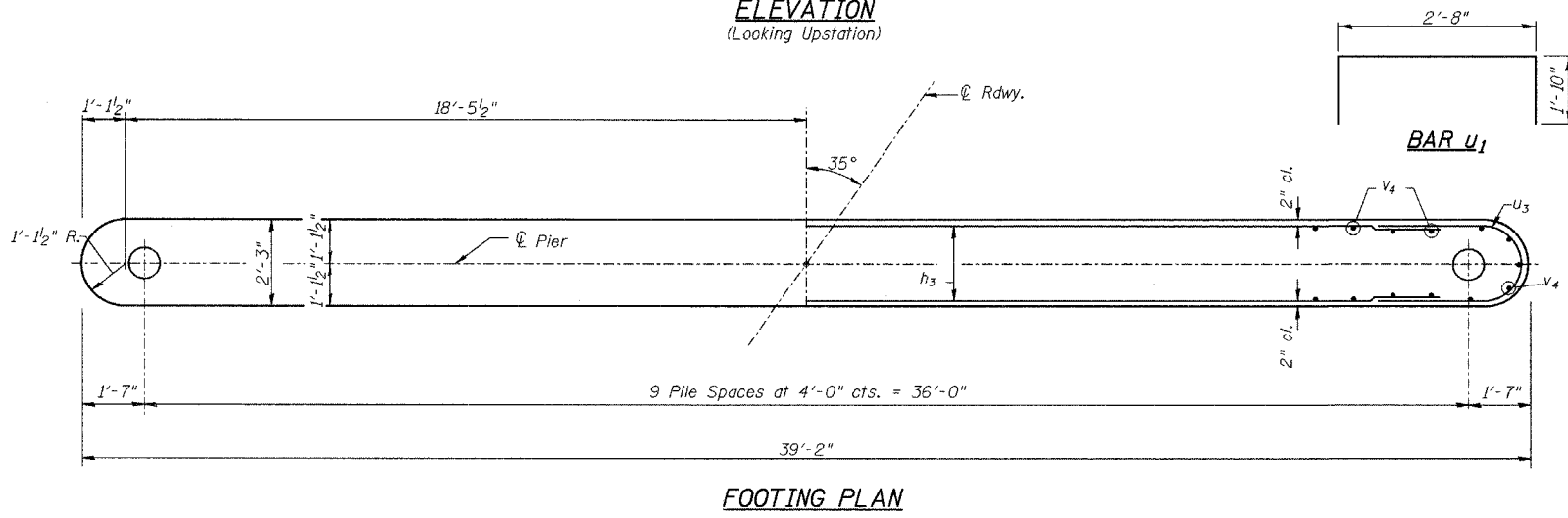
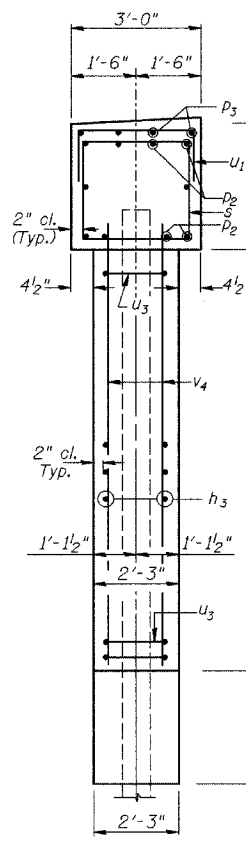
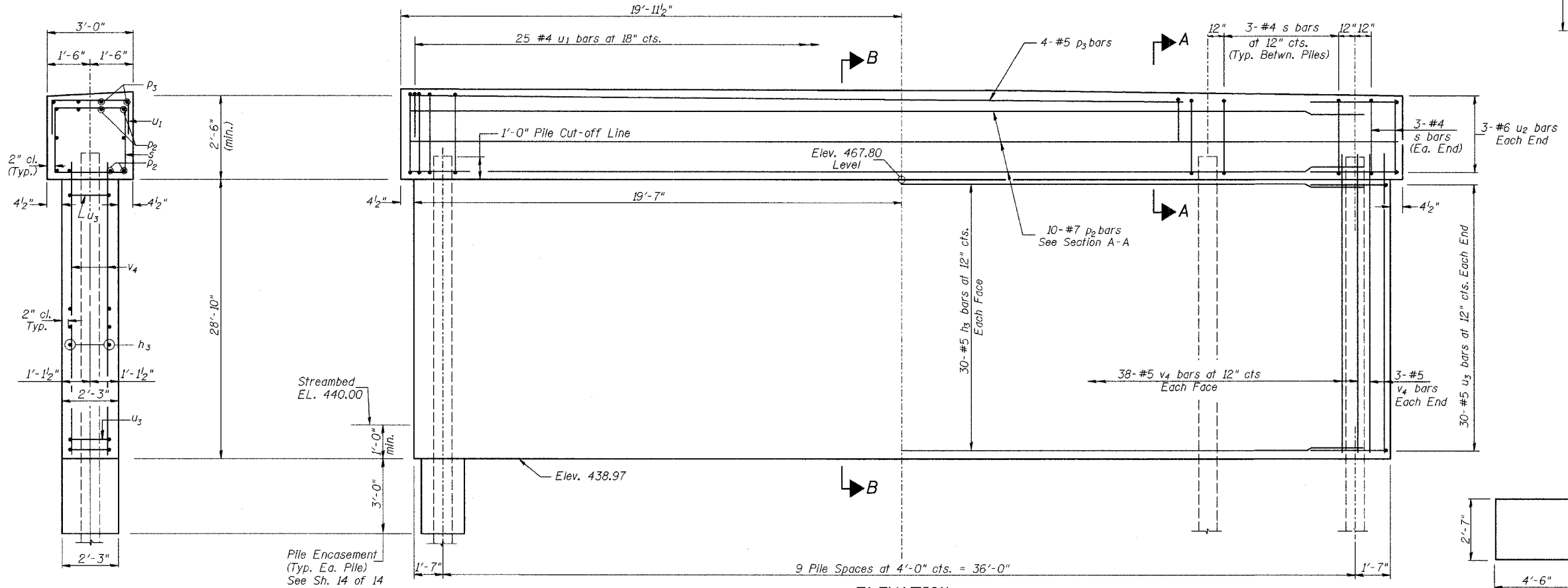
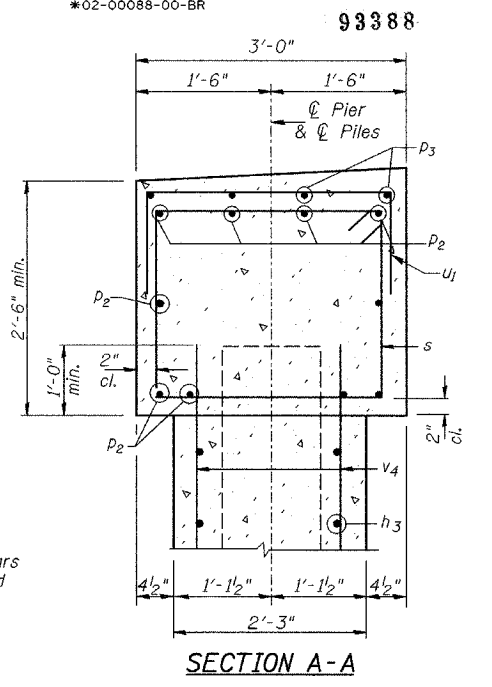
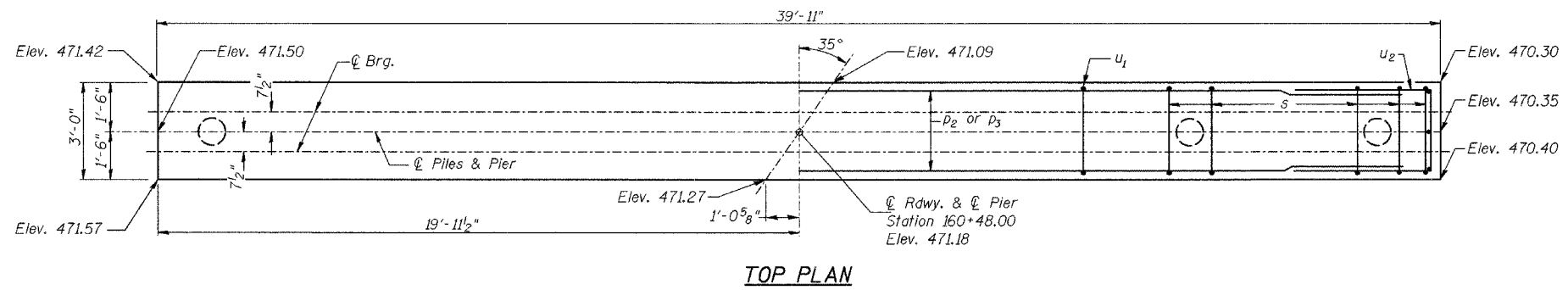


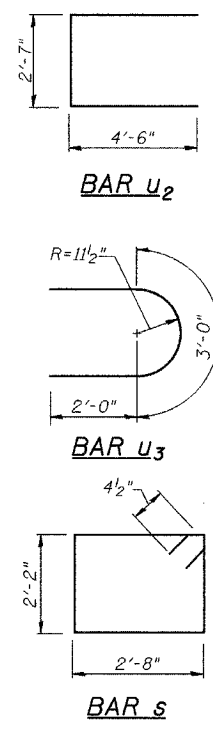
**NOTES:**  
All edges shall have standard  $\frac{3}{4}$ " chamfer.



**PIER #1  
BILL OF MATERIAL**

BAR	NO.	SIZE	LENGTH	SHAPE
$h_3$	60	#5	36'-7"	—
$p_2$	10	#7	39'-7"	—
$p_3$	4	#5	35'-10"	—
$s$	33	#4	10'-5"	□
$u_1$	25	#4	6'-4"	□
$u_2$	6	#6	11'-7"	□
$u_3$	60	#5	7'-0"	□
$v_4$	82	#5	29'-8"	—
① Concrete Structures			CU YD	95.4
Reinforcement Bars			POUND	6,660
Structure Excavation			CU YD	60
Furnishing Metal Pile Shells 14"			FOOT	756
Driving and Filling Shells			FOOT	756
Test Pile Metal Shells			EACH	1
① Concrete Encasement			CU YD	4.4
① Underwater Structure Excavation Protection, Location 1			EACH	1

① See Special Provisions



**PILE DATA**  
Type: 14" Metal Shell  
Capacity: 65 Tons  
Est. Length: 84'  
No. Req'd.: 10 (Includes 1 Test Pile)

**PIER #1  
C.H. 19 OVER CONOVER BRANCH  
SECTION 02-00088-00-BR  
MORGAN COUNTY  
STATION 160+96.19**