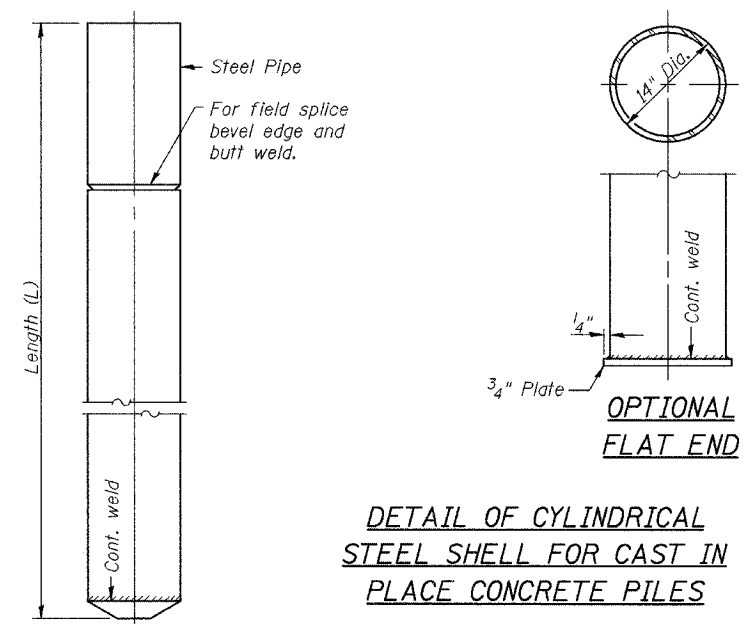
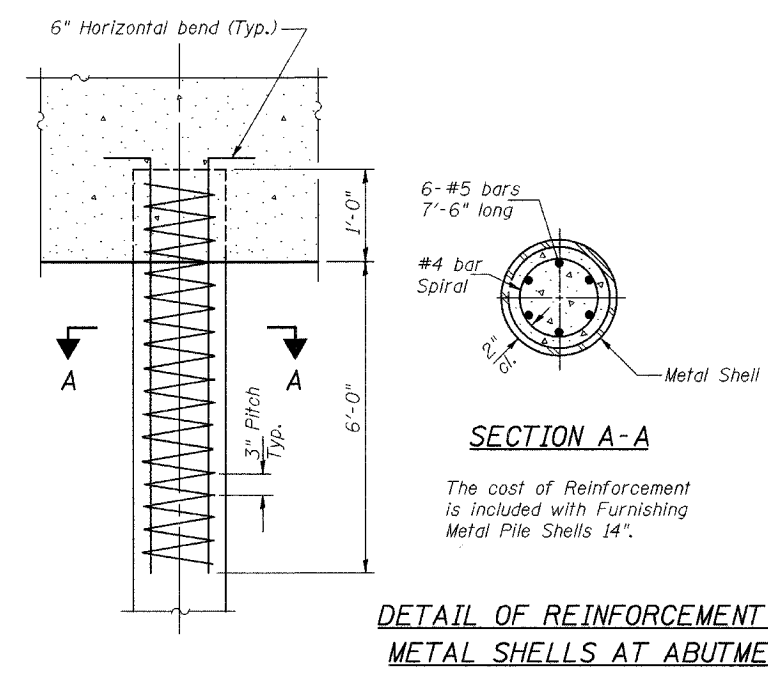


93388

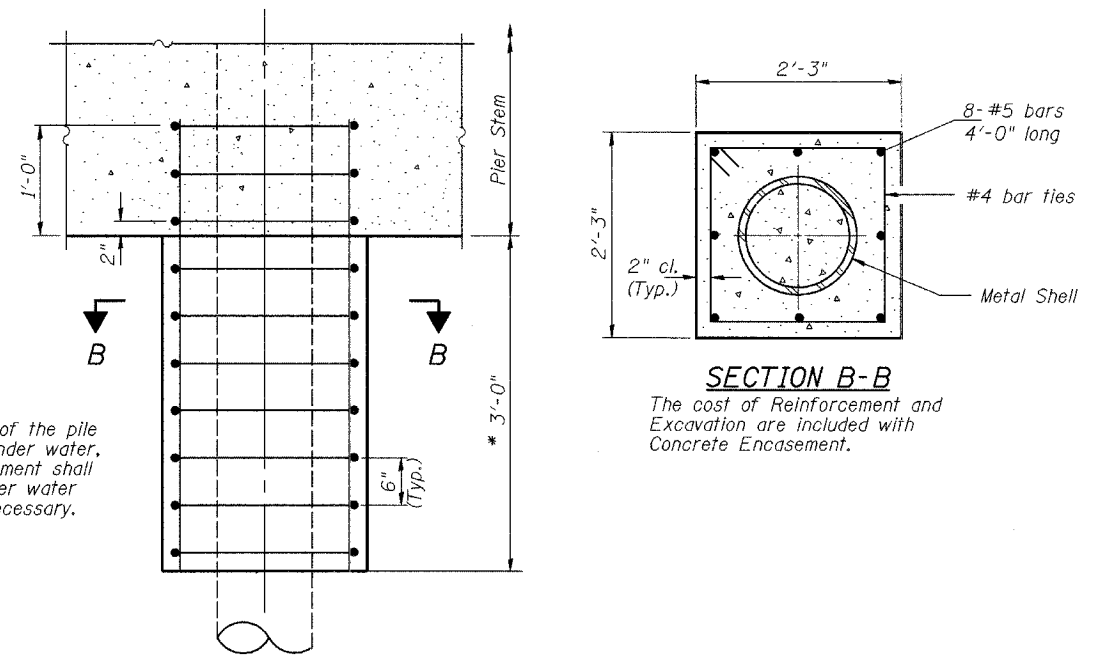
Notes: Driving and bearing ends of pipe shall be cut square. The thickness of the shell shall be 0.250 inches with a tolerance of 5%. The shell shall be according to Article 1006.05(a) of the Standard Specifications.



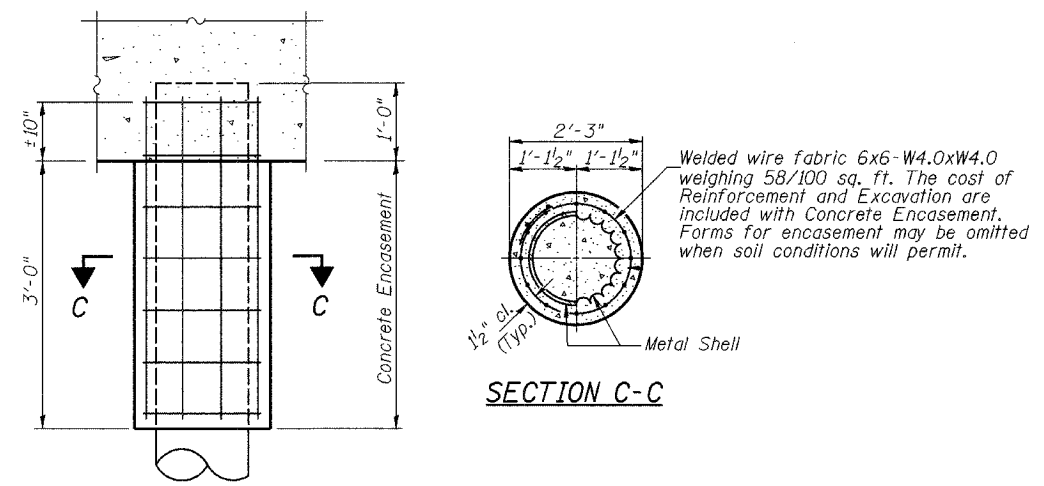
DETAIL OF CYLINDRICAL STEEL SHELL FOR CAST IN PLACE CONCRETE PILES



DETAIL OF REINFORCEMENT FOR METAL SHELLS AT ABUTMENTS



DETAIL OF PROTECTION FOR METAL SHELLS AT PIERS



DETAIL OF METAL SHELL PILE ENCASEMENT AT ABUTMENTS

* If a portion of the pile encasement is under water, Concrete Encasement shall be tremmied under water into forms as necessary.

PILE DETAILS
C.H. 19 OVER CONOVER BRANCH
SECTION 02-00088-00-BR
MORGAN COUNTY
STATION 160+96.19