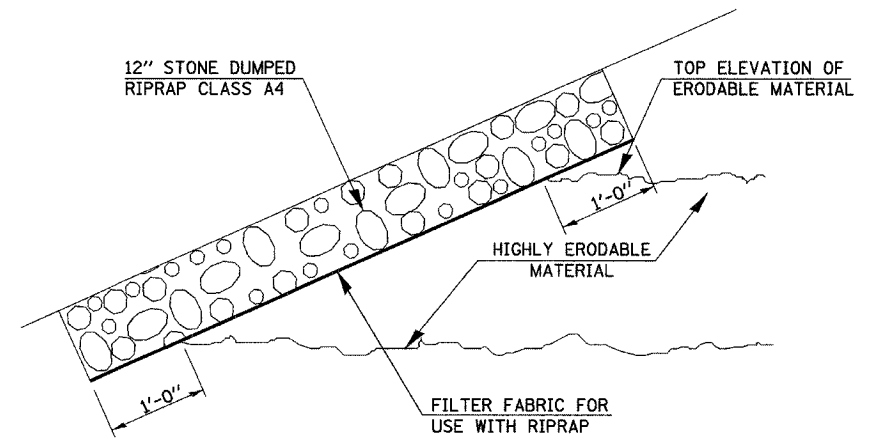
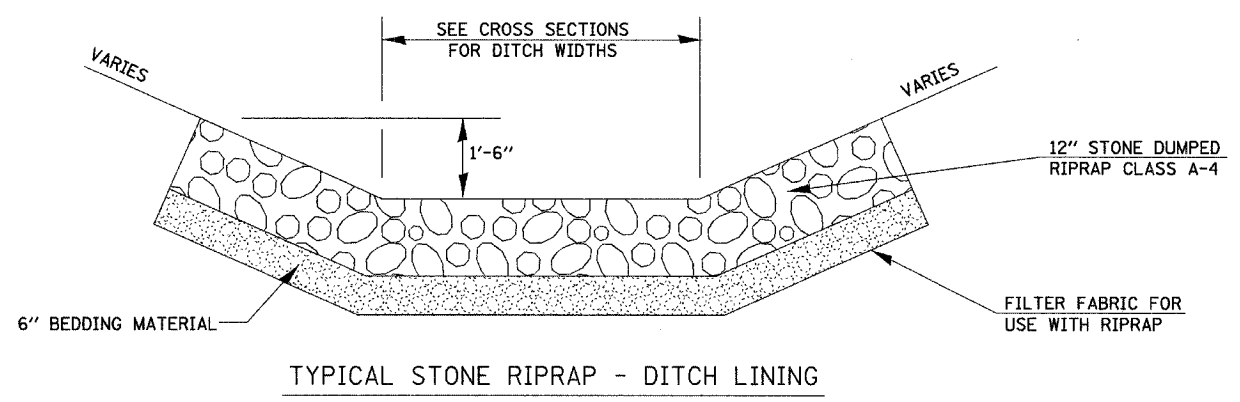


DETAIL OF BACKSLOPE DRAINS

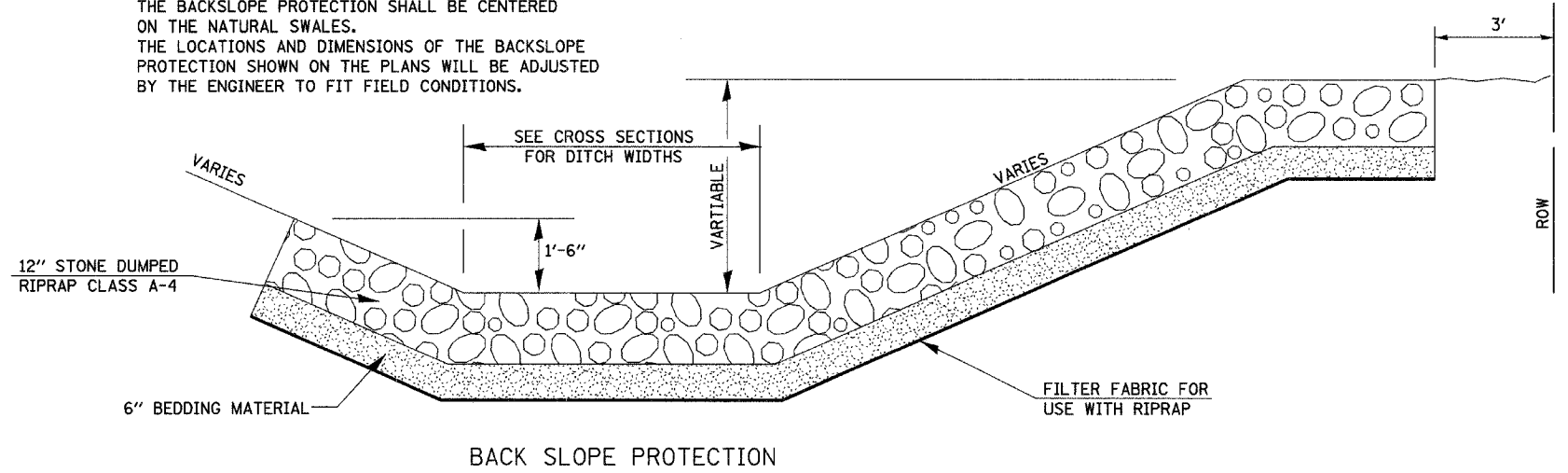
THE LOCATIONS AND ELEVATIONS OF THE BACKSLOPE DRAINS WILL BE ADJUSTED BY THE ENGINEER TO FIT FIELD CONDITIONS. SEE CROSS SECTIONS FOR ESTIMATED OFFSETS AND ELEVATIONS



NOTE: RIPRAP CLASS B3 SHALL NOT BE USED IN DITCHES OR SWALES.

TYPICAL STONE RIPRAP - SLOPE PROTECTION
LOCATED AS DIRECTED BY ENGINEER

THE BACKSLOPE PROTECTION SHALL BE CENTERED ON THE NATURAL SWALES. THE LOCATIONS AND DIMENSIONS OF THE BACKSLOPE PROTECTION SHOWN ON THE PLANS WILL BE ADJUSTED BY THE ENGINEER TO FIT FIELD CONDITIONS.



REVISIONS	
NAME	DATE

ILLINOIS DEPARTMENT OF TRANSPORTATION

SPECIAL DETAILS

SCALE:
DATE

DRAWN BY KLS
CHECKED BY JRB