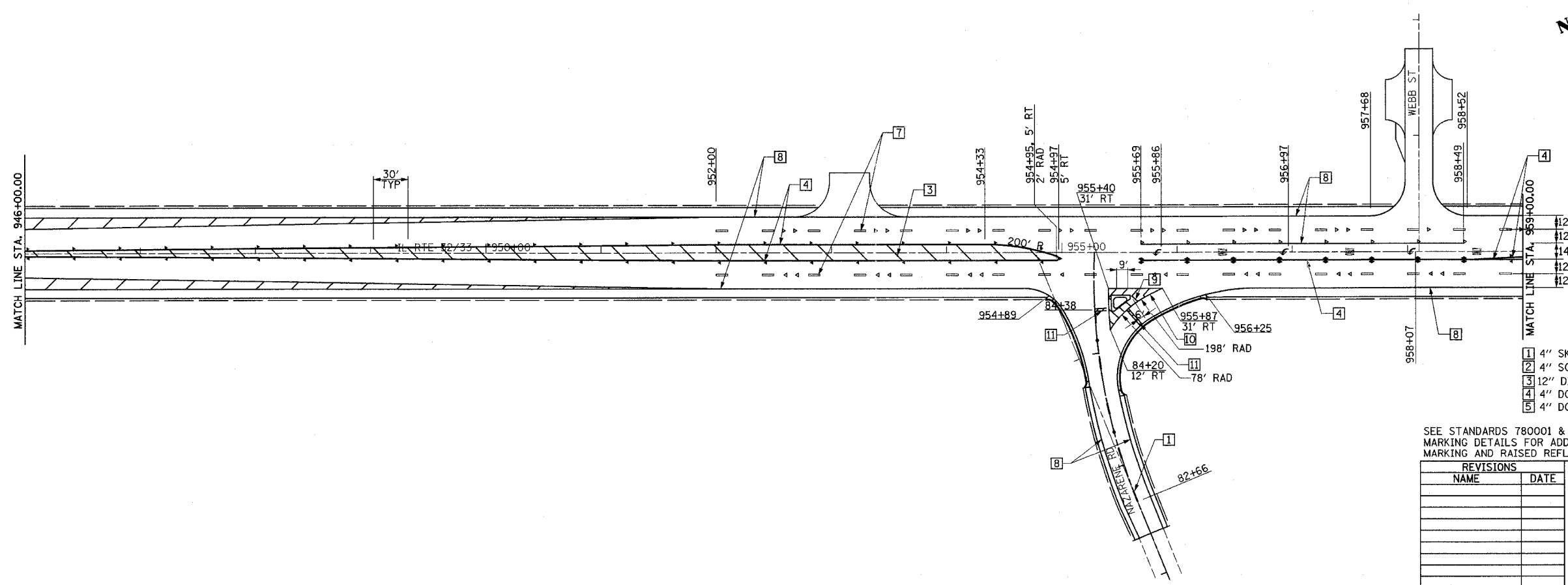
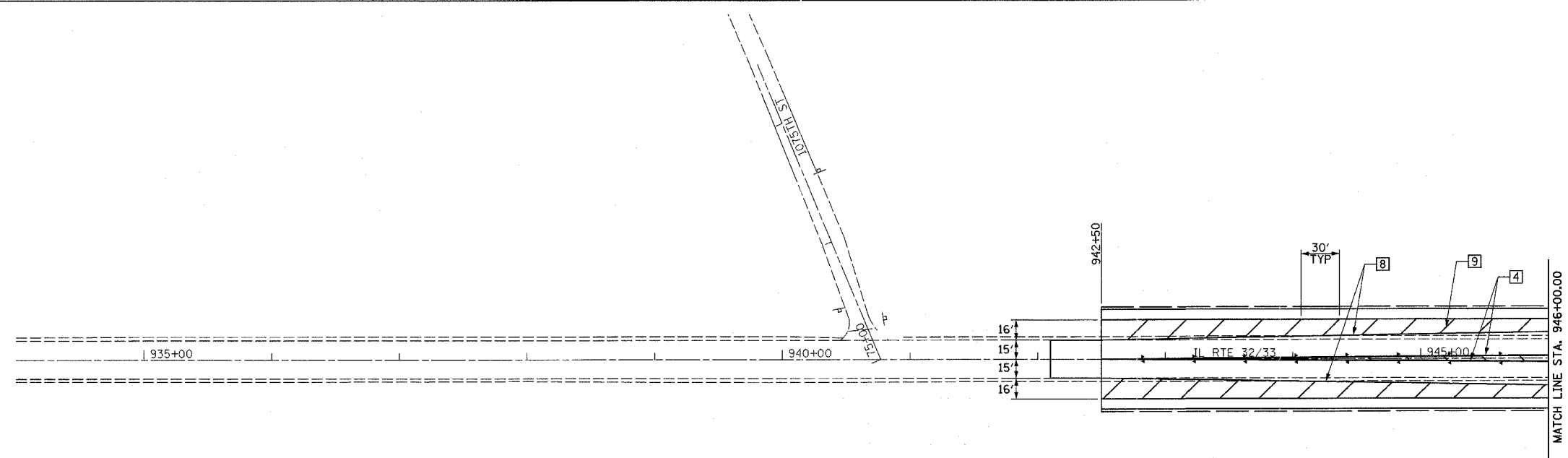
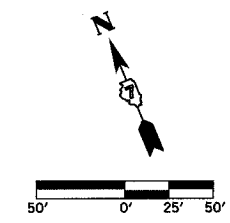


F.A.P. RTE.	SECTION	COUNTY	TOTAL SHEETS	SHEET NO.
774		EFFINGHAM	273	81
FED. ROAD DIST. NO. 7		ILLINOIS	FED. AID PROJECT	
*107WRS-1, 107BY, 107BY-1 & 107B-2				
CONTRACT NO. 94827				



- LEGEND**
- RAISED REFL PAVT MKR AMBER BIDIRECTIONAL
 - RAISED REFL PAVT MKR AMBER MONODIRECTIONAL
 - RAISED REFL PAVT MKR CRYSTAL BIDIRECTIONAL
 - RAISED REFL PAVT MKR CRYSTAL MONODIRECTIONAL
 - ITEM [4] DOUBLE YELLOW (NARROW)
 - ITEM [5] DOUBLE YELLOW (WIDE)

- TYPICAL PAVEMENT MARKING LEGEND**
- | | |
|-----------------------------|-------------------------|
| [1] 4" SKIP-DASH YELLOW | [7] 6" SKIP-DASH WHITE |
| [2] 4" SOLID YELLOW | [8] 4" SOLID WHITE |
| [3] 12" DIAGONAL YELLOW | [9] 12" DIAGONAL WHITE |
| [4] 4" DOUBLE YELLOW NARROW | [10] 6" SOLID WHITE |
| [5] 4" DOUBLE YELLOW WIDE | [11] 24" STOP BAR WHITE |

SEE STANDARDS 780001 & 781001 AND DISTRICT PAVEMENT MARKING DETAILS FOR ADDITIONAL DETAILS FOR PAVEMENT MARKING AND RAISED REFLECTIVE PAVEMENT MARKERS.

REVISIONS	
NAME	DATE

ILLINOIS DEPARTMENT OF TRANSPORTATION

PAVEMENT MARKING PLAN
SHEET 2 OF 6

DATE 8/02
DRAWN BY ASB
CHECKED BY SJK