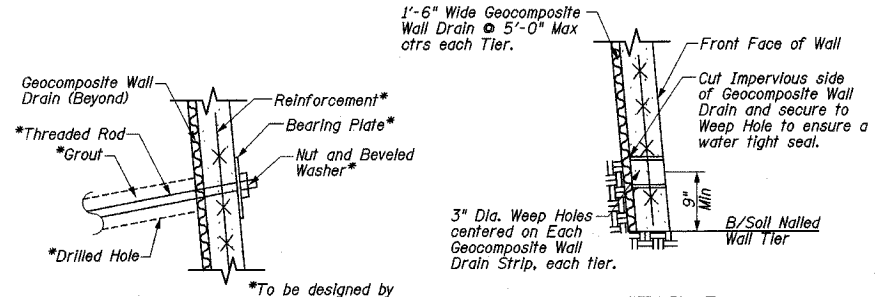
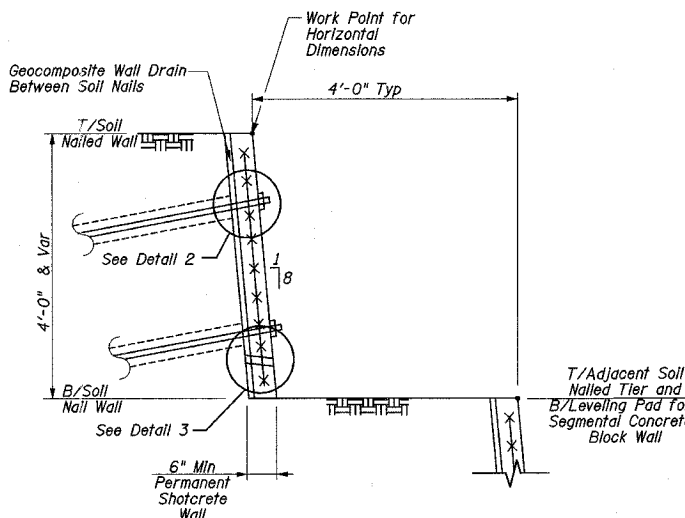
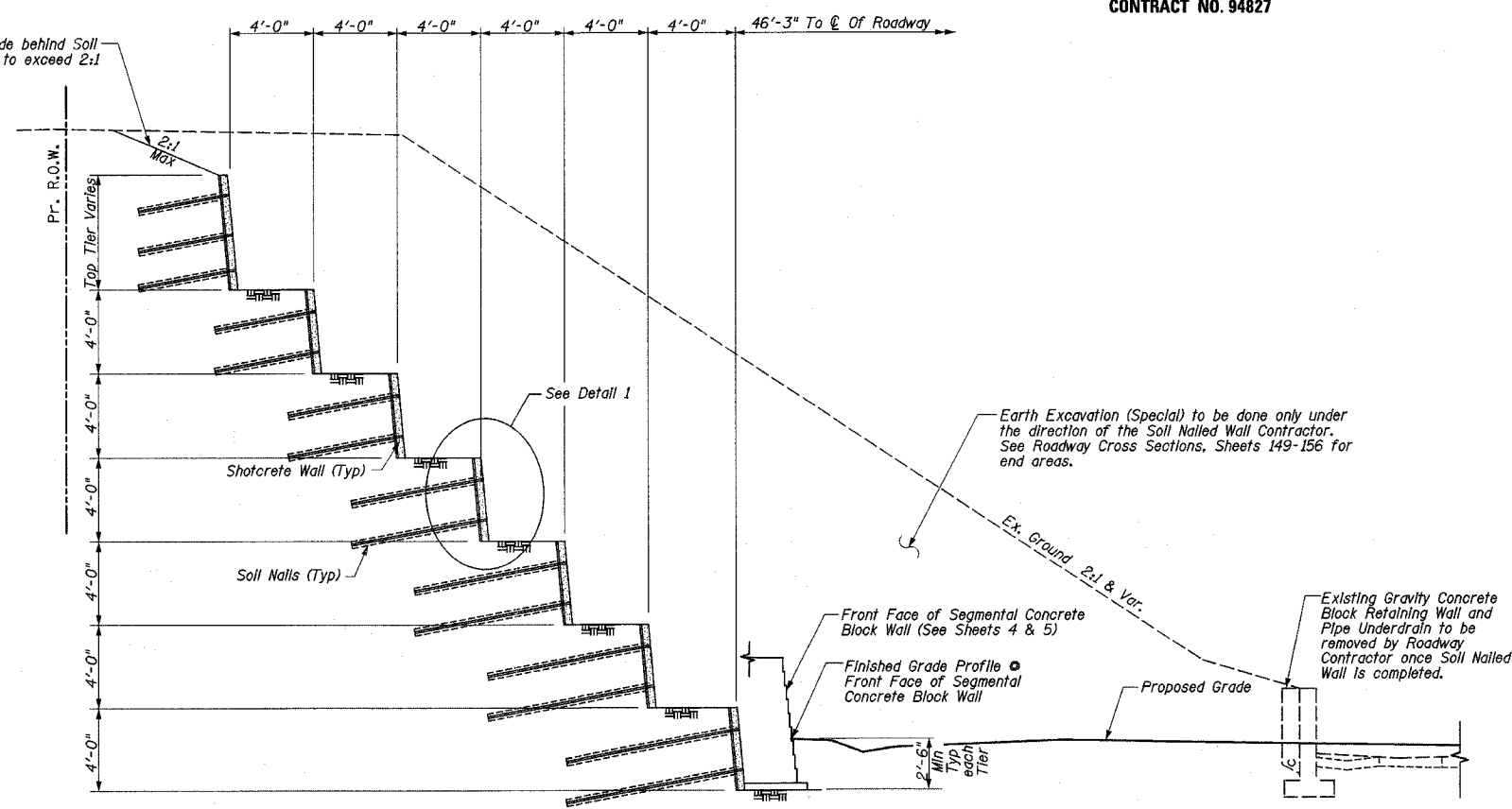


LEGEND

- Denotes Work Point. See Sheet 6 for Wall Elevations.
- Denotes Tier No.



DETAIL 2

All exposed Rods, Nuts, Washers, Bearing Plates, etc. shall be coated with Bitumen prior to backfilling. Cost included in cost of Soil Nailed Wall.

DETAIL 3

All costs for the weep hole drain and the connection to the geocomposite wall drain are included in cost of Geocomposite Wall Drain.

SOIL NAILED WALL
ILLINOIS ROUTE 32/33
F.A.P. ROUTE 774
SECTION 107 WRS-1, 107BY,
107BY-1 & 107B-2
EFFINGHAM COUNTY
RETAINING WALL
STA. 1026+03.00 LT. TO STA. 1033+86.00 LT.
STRUCTURE NUMBER 025-W008