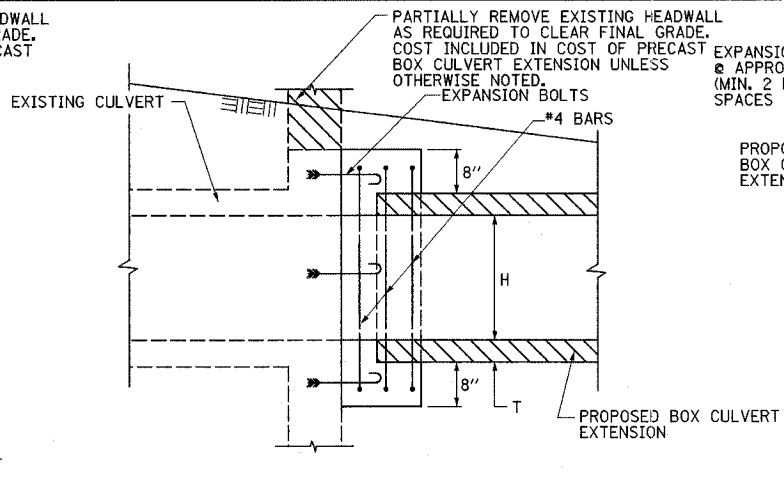
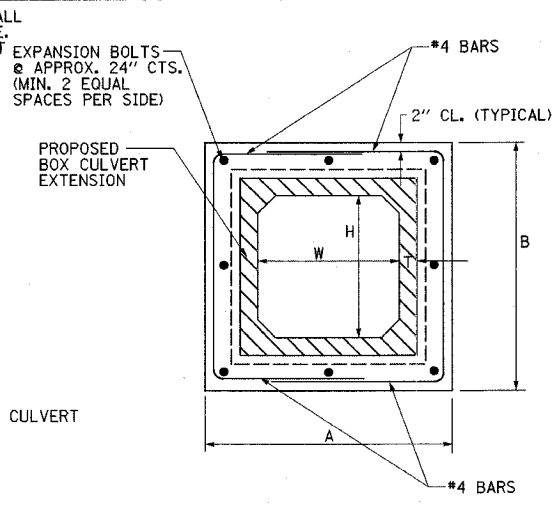


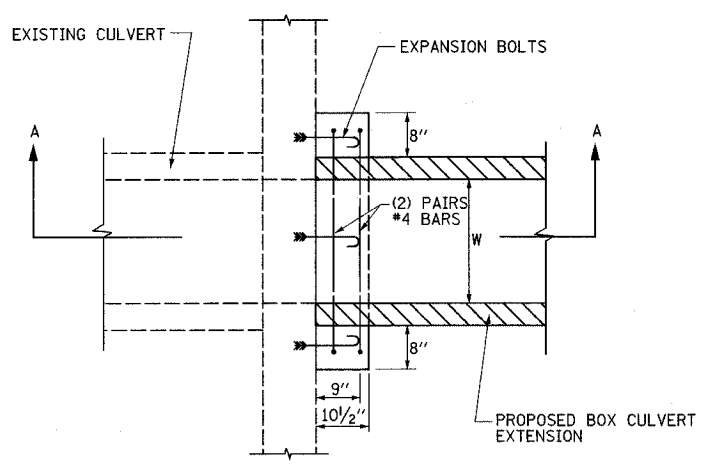
SECTION A-A



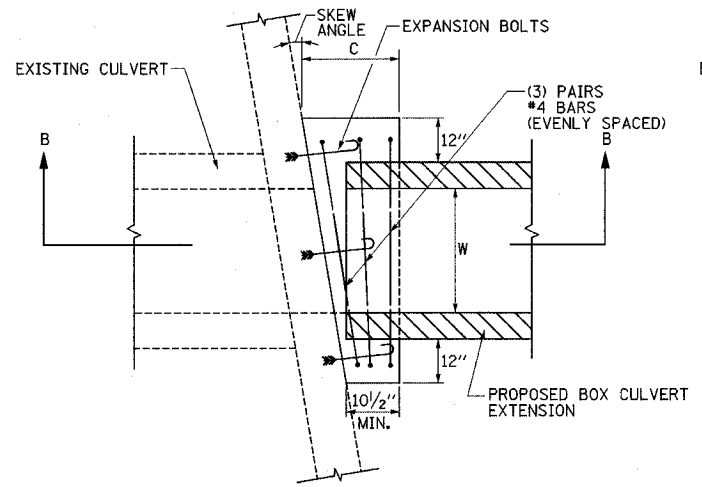
SECTION B-B



END VIEW

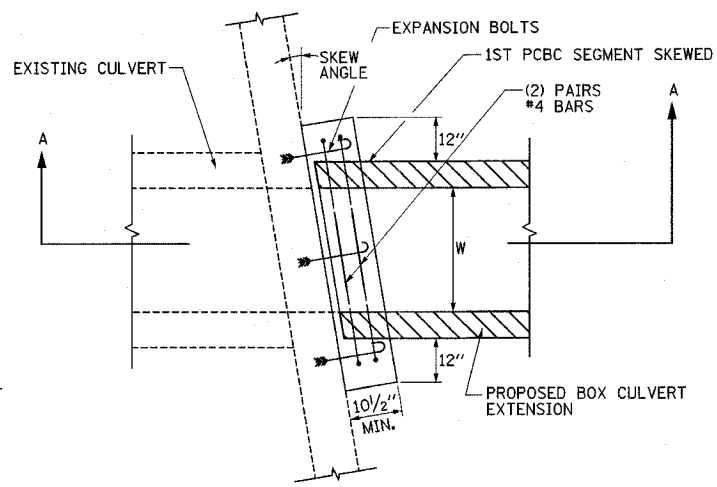


PLAN VIEW  
(RIGHT ANGLE CULVERT)



PLAN VIEW

PCBC WITH SQUARE END FOR:  
W=3' (ANY SKEW ANGLE)  
W=4' WITH SKEW ANGLE <30°  
W=6' WITH SKEW ANGLE <20°  
W=8' WITH SKEW ANGLE <15°



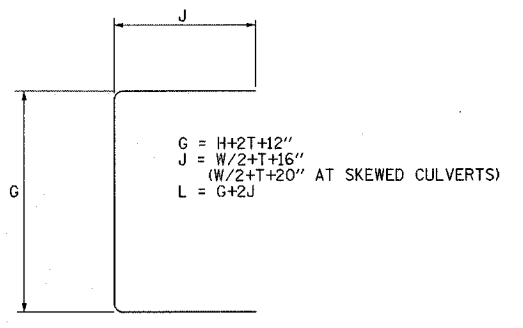
PLAN VIEW

PCBC WITH FIRST SEGMENT SKEWED FOR:  
W=4' WITH SKEW ANGLE >30°  
W=6' WITH SKEW ANGLE >20°  
W=8' WITH SKEW ANGLE >15°

NOTE: EXPANSION BOLTS SHALL CONSIST OF SELF-DRILLING EXPANSION SHIELDS AND HOOKED BOLTS. HOOKED BOLTS SHALL EXTEND A MINIMUM OF 9" INTO THE NEW CONCRETE.

CONCRETE BOX CULVERT EXTENSION COLLAR SCHEDULE																					
SIDE	STATION	CULVERT SIZE	EXTENSION LENGTH	CULVERT NO.	DESIGN FILL HEIGHT	BOX CULVERT END SECTION	SKEW ANGLE	DIMENSIONS						REINFORCEMENT BARS				EXPANSION BOLTS #4	CONCRETE COLLAR *		
								A	B	C	W	H	T	G	J	L	NUMBER BARS			LB	EACH
			FEET		FEET	EACH	DEGREE	INCHES	INCHES	INCHES	INCHES	INCHES	INCHES	INCHES	INCHES	INCHES	INCHES	EACH	LB	EACH	CU YD
LT	951+33.21	PCBC 4'x3'	23	1	2'	1	-	74	62	-	48	36	5	58	45	148	4	33	10	0.4	
RT	951+33.21	PCBC 4'x3'	25	1	2'	1	-	74	62	-	48	36	5	58	45	148	4	33	10	0.4	
RT	1034+79.00	PCBC 4'x3'	85	2	20'	1	39°	106	62	-	48	36	5	58	61	180	4	40	12	0.7	
LT	1034+78.00	PCBC 2'x2'	45	3	15'	1	5°	56	48	16	24	24	4	44	36	116	6	40	8	0.5	
LT	1036+00.00	PCBC 3'x3'	30	4	18'	-	8°	68	60	20	36	36	4	56	42	140	6	50	10	0.9	
TOTALS:																		196	50	2.9	

\*SKEWED CULVERT



\* THE COST OF CONCRETE COLLAR FOR PRECAST BOX CULVERT EXTENSION IS TO BE INCLUDED IN THE COST OF BOX CULVERT EXTENSION.

REVISIONS	
NAME	DATE

ILLINOIS DEPARTMENT OF TRANSPORTATION

CULVERT EXTENSION COLLAR DETAILS

DATE 8/02

DRAWN BY ASB  
CHECKED BY SJK

CONCRETE BOX CULVERT EXTENSIONS