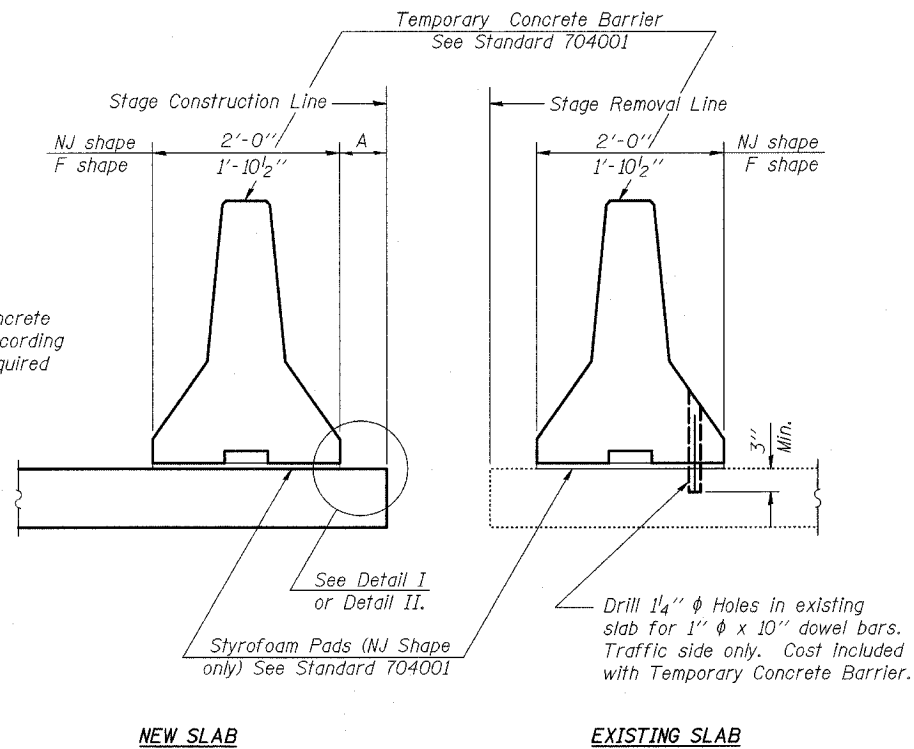
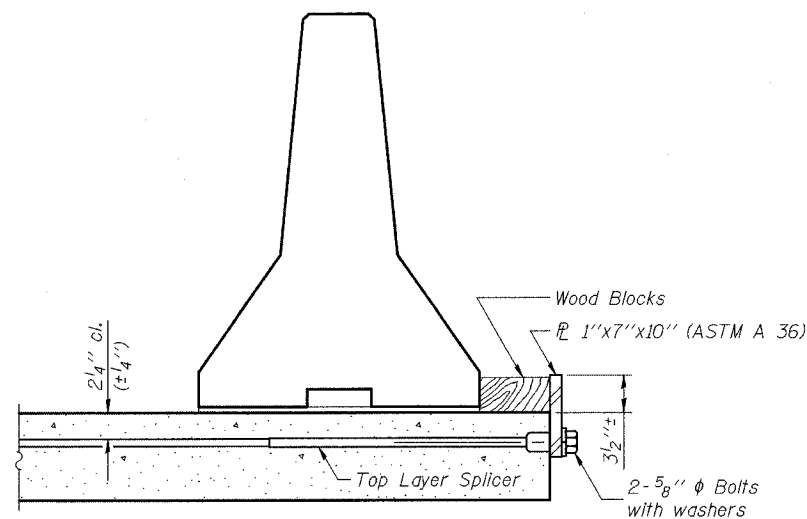


CONTRACT NO. 94827

When "A" is 3'-6" or less, the temporary concrete barrier shall be anchored to the new slab according to Detail I or Detail II. No anchorage is required when "A" is greater than 3'-6".

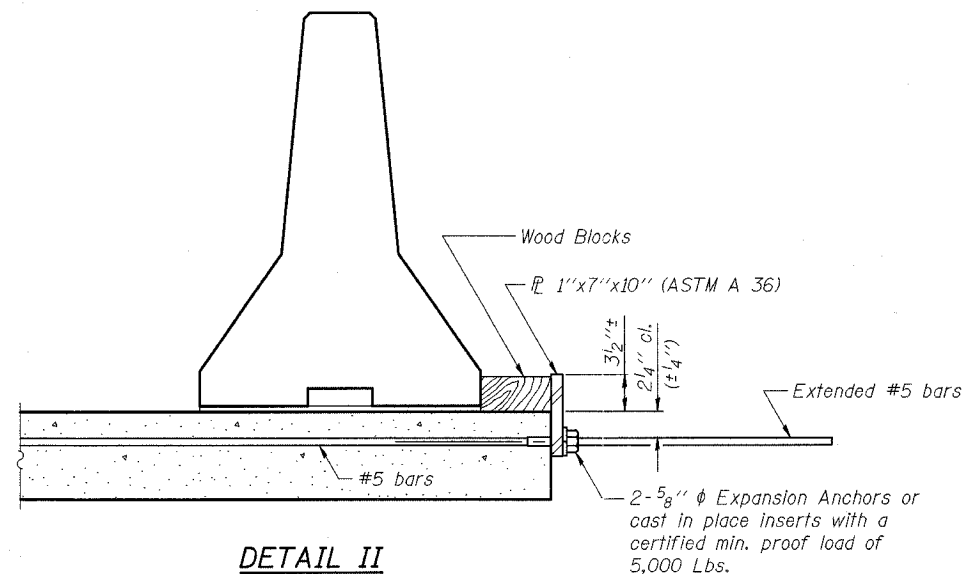


SECTIONS THRU SLAB



DETAIL I

The 1"x7"x10" Plate shall not be removed until Stage II Construction forms and reinforcement bars are in place.

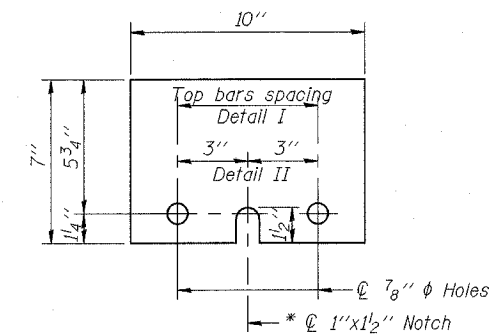


DETAIL II

The 1"x7"x10" Plate shall not be removed until Stage II Construction forms and all reinforcement bars are in place and the concrete is ready to be placed.

NOTES

- Detail I - With Bar Splicer or Couplers:
Connect one (1) 1"x7"x10" steel \bar{P} to the top layer of couplers with 2-5/8" ϕ bolts screwed to coupler at approximate \bar{C} of each barrier panel.
 - Detail II - With Extended Reinforcement Bars:
Connect one (1) 1"x7"x10" steel \bar{P} to the concrete slab with 2-5/8" ϕ Expansion Anchors or cast in place inserts spaced between the top layer of reinforcement at approximate \bar{C} of each barrier panel.
- Cost of anchorage is included with Temporary Concrete Barrier.



1" x 7" x 10"

* Required only with Detail II

SHEET TITLE		TEMPORARY CONCRETE BARRIER FOR STAGED CONSTRUCTION	
PROJECT	IL RTE. 32/33 OVER LITTLE WABASH RIVER OVERFLOW F.A.P. RTE. 774 SECTION 107BY-1 EFFINGHAM COUNTY STATION 1018+86.92 STRUCTURE NO. 025-0077	PROJECT NO.	02017
SCALE		DATE	
CHECKED BY	KPS/CME/MCB	DRAWN BY	TFG
DESIGNER	COOMBE-BLOXDORF P.C. Engineers/Land Surveyors Springfield, Illinois Design Firm License No. 184-002703	DRAWING NO.	4
			OF 26 SHITS