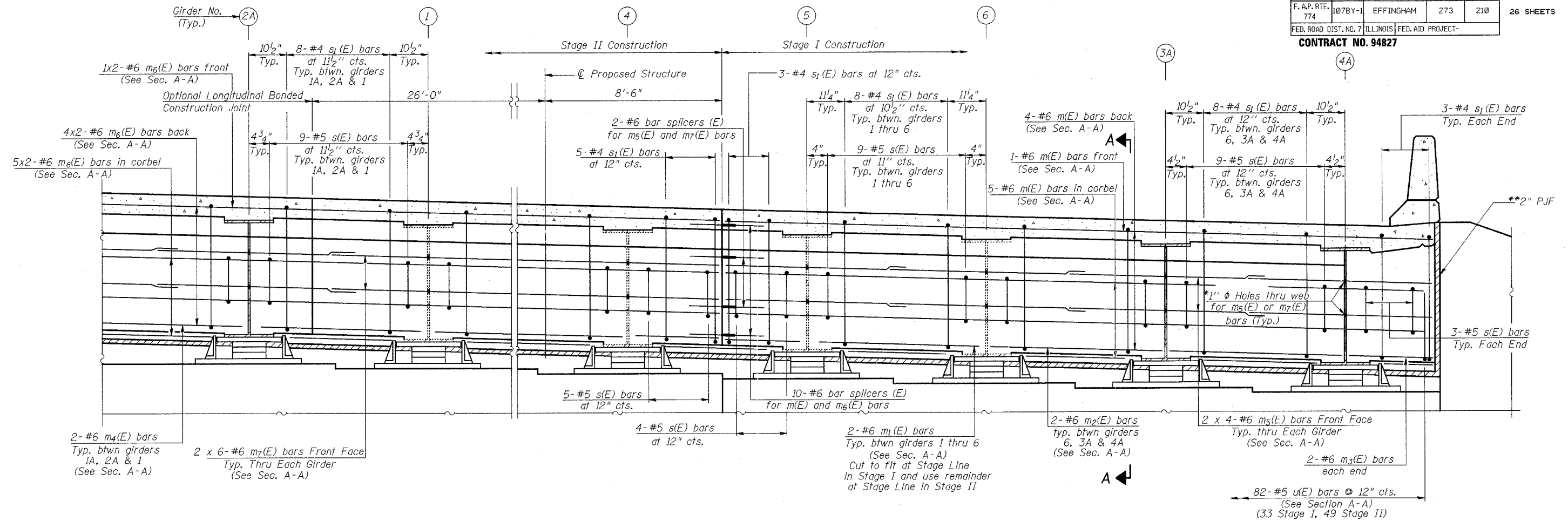


ROUTE NO.	SECTION	COUNTY	TOTAL SHEETS	SHEET NO.	SHEET NO. 10 26 SHEETS
F.A.P. RTE.	107BY-1	EFFINGHAM	273	210	
FED. ROAD DIST. NO. 7	ILLINOIS	FED. AID PROJECT-			

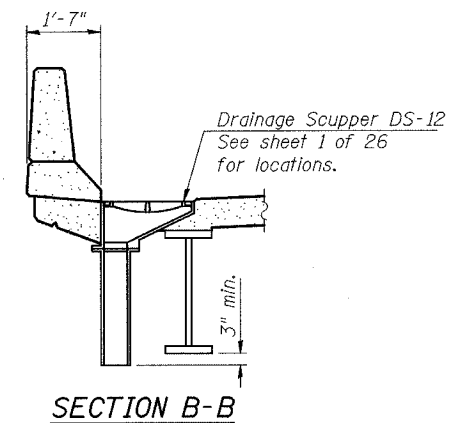
CONTRACT NO. 94827



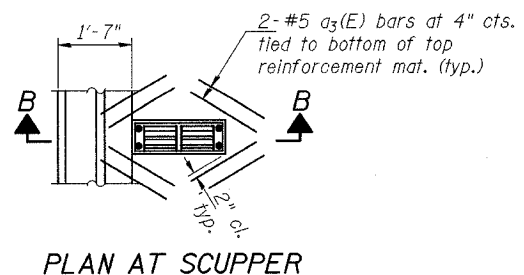
DIAPHRAGM ELEVATION AT E. ABUTMENT

Looking East

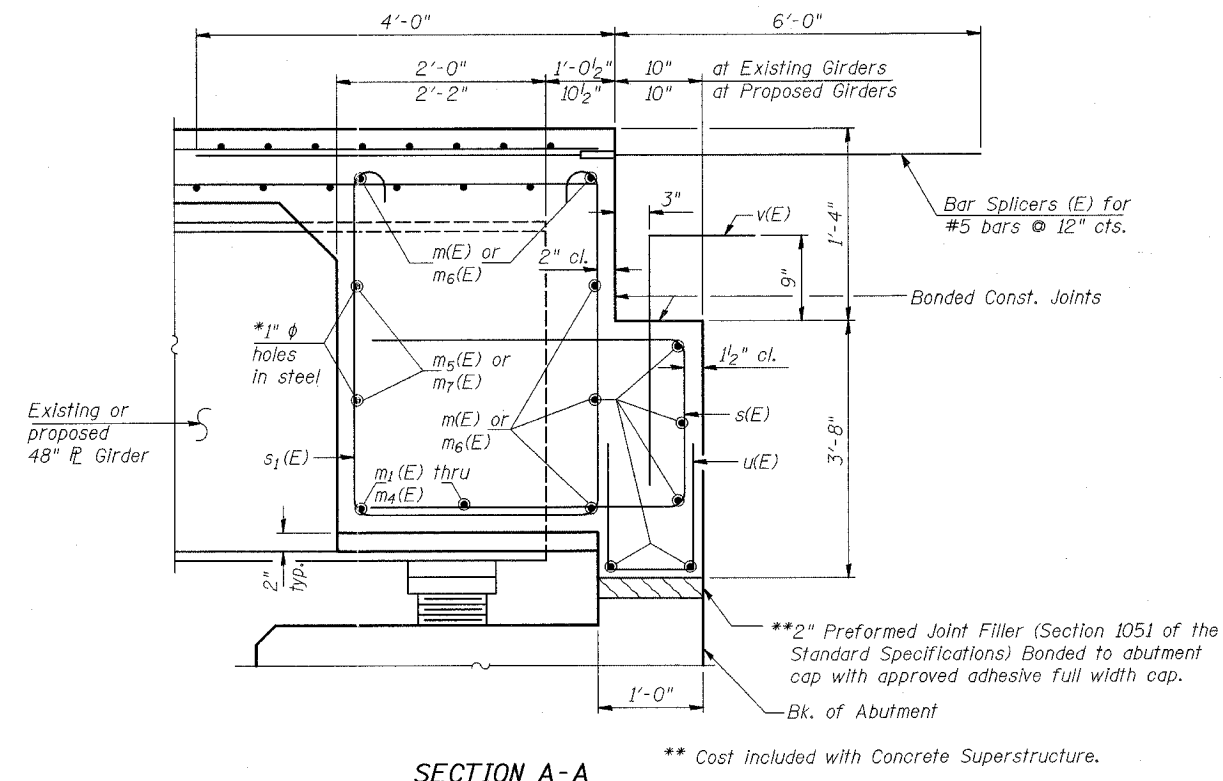
*Field drill 1" ϕ holes for $m_5(E)$ or $m_7(E)$ bars in existing girders. Cost of field drilling included with Concrete Superstructure.



SECTION B-B



PLAN AT SCUPPER



SECTION A-A

(Diaphragms not shown)

** Cost included with Concrete Superstructure.

NOTES

Reinforcement bars in diaphragm and around scuppers are billed with superstructure on sheet 9 of 26. Concrete in end diaphragm is included with Concrete Superstructure on sheet 9 of 26. For details of bars s(E), s(E) & u(E) see sheet 9 of 26. For anchor bolt details see sheet 15 of 26. Reinforcement bars designated (E) shall be epoxy coated. Bars indicated thus 1 X 2-#5 etc. indicates 1 line of bars with 2 lengths per line. See Sheet 24 of 26 for Bar Splicer details. See Section thru Abutment on Sheet 2 Of 26 for back of abutment treatment.

MIN. BAR LAP

#6 bar = 2'-9"

SHEET TITLE DIAPHRAGM AND DRAINAGE SCUPPER DETAILS	
PROJECT IL RTE. 32/33 OVER LITTLE WABASH RIVER OVERFLOW F.A.P. RTE. 774 SECTION 107BY-1 EFFINGHAM COUNTY STATION 1018+86.92 STRUCTURE NO. 025-0077	PROJECT NO. 02017 SCALE DATE DRAWN BY TFG CHECKED BY KPS/CME/MCB DRAWING NO.
COOMBE-BLOXDORF P.C. Engineers/Land Surveyors Springfield, Illinois Design Firm License No. 184-002703	
10	
OF 26 SHTS	