

CONTRACT NO. 94827

**SUPERSTRUCTURE  
BILL OF MATERIAL**

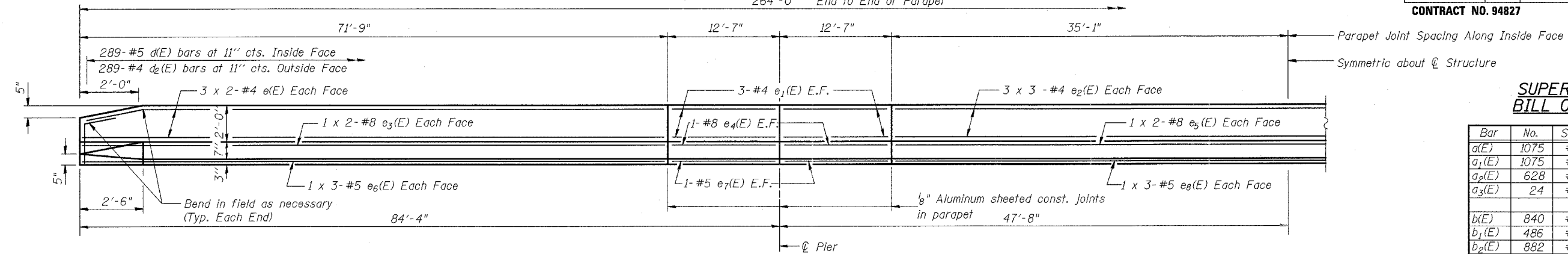
Bar	No.	Size	Length	Shape
a(E)	1075	#5	30'-11"	—
a <sub>1</sub> (E)	1075	#5	47'-11"	—
a <sub>2</sub> (E)	628	#6	4'-6"	—
a <sub>3</sub> (E)	24	#5	2'-0"	—
b(E)	840	#5	27'-9"	—
b <sub>1</sub> (E)	486	#6	20'-1"	—
b <sub>2</sub> (E)	882	#5	30'-7"	—
d(E)	578	#5	3'-0"	—
d <sub>1</sub> (E)	574	#5	2'-5"	—
d <sub>2</sub> (E)	578	#4	3'-0"	—
d <sub>3</sub> (E)	288	#4	3'-9"	—
d <sub>4</sub> (E)	12	#5	2'-2"	—
d <sub>5</sub> (E)	288	#4	4'-3"	—
e(E)	48	#4	36'-7"	—
e <sub>1</sub> (E)	48	#4	12'-3"	—
e <sub>2</sub> (E)	36	#4	24'-5"	—
e <sub>3</sub> (E)	16	#8	38'-0"	—
e <sub>4</sub> (E)	16	#8	12'-3"	—
e <sub>5</sub> (E)	8	#8	37'-3"	—
e <sub>6</sub> (E)	24	#5	25'-3"	—
e <sub>7</sub> (E)	16	#5	12'-3"	—
e <sub>8</sub> (E)	12	#5	24'-9"	—
m(E)	20	#6	36'-6"	—
m <sub>1</sub> (E)	20	#6	9'-0"	—
m <sub>2</sub> (E)	8	#6	9'-9"	—
m <sub>3</sub> (E)	8	#6	3'-6"	—
m <sub>4</sub> (E)	8	#6	9'-4"	—
m <sub>5</sub> (E)	16	#6	11'-4"	—
m <sub>6</sub> (E)	40	#6	29'-6"	—
m <sub>7</sub> (E)	24	#6	11'-9"	—
s(E)	174	#5	7'-11"	—
s <sub>1</sub> (E)	156	#4	11'-11"	—
u(E)	164	#5	2'-11"	—
v(E)	162	#5	3'-4"	—
Reinforcement Bars, Epoxy Coated		Pound	179,860	
Concrete Superstructure		Cu. Yds.	676.2	
Bar Splicers		Each	1255	

**NOTES**

Reinforcement bars designated (E) shall be epoxy coated. Bars indicated thus 1 x 2-#5 etc. indicates 1 line of bars with 2 lengths per line.

SHEET TITLE SUPERSTRUCTURE DETAILS		PROJECT NO. 02017
PROJECT IL RTE. 32/33 OVER LITTLE WABASH RIVER F.A.P. RTE. 774 SECTION 107BY EFFINGHAM COUNTY STATION 1011+50.17 STRUCTURE NO. 025-0078	SCALE DATE DRAWN BY TFG	CHECKED BY GJB/MCB
COOMBE-BLOXDORF P.C. Engineers / Land Surveyors Springfield, Illinois Design Firm License No. 184-002708		DRAWING NO. 9 OF 29 SHTS

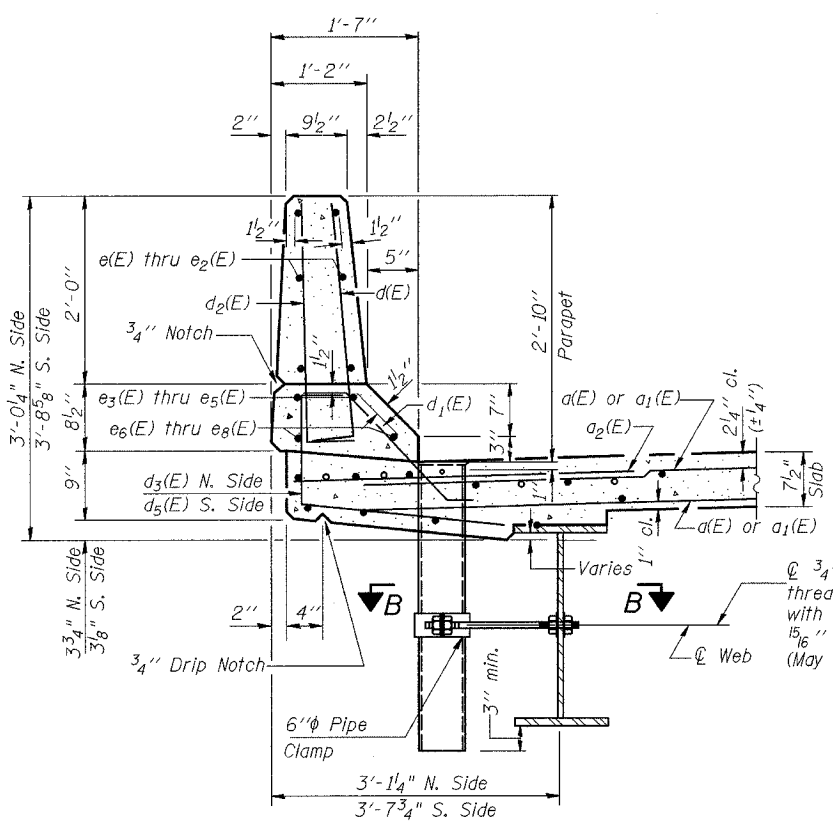
264'-0" End to End of Parapet



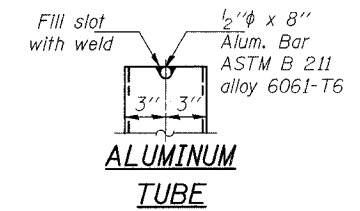
**INSIDE ELEVATION OF PARAPET**

**MIN BAR LAP IN PARAPET**

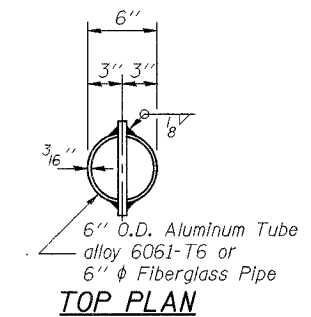
- #4 = 1'-8"
- #5 = 2'-2"
- #8 = 4'-6"



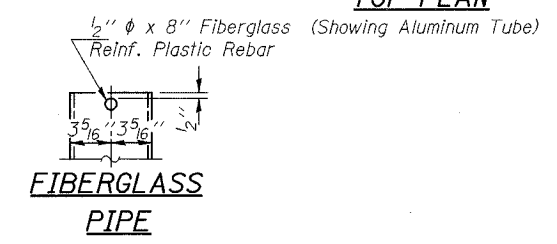
**SECTION THRU PARAPET**  
(Showing 6" φ drain S. Side only)



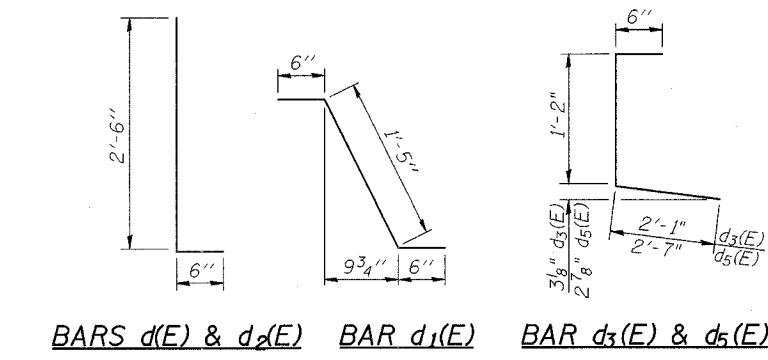
**ALUMINUM TUBE**



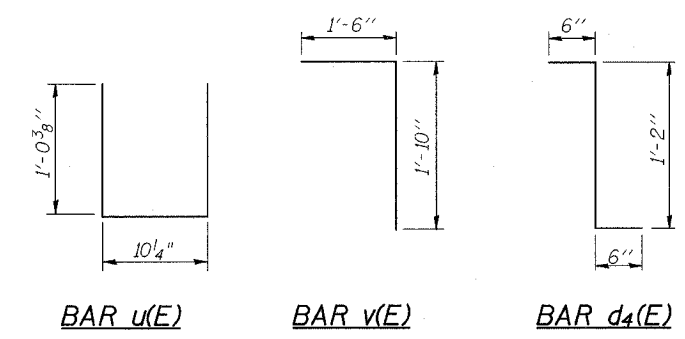
**TOP PLAN**  
(Showing Aluminum Tube)



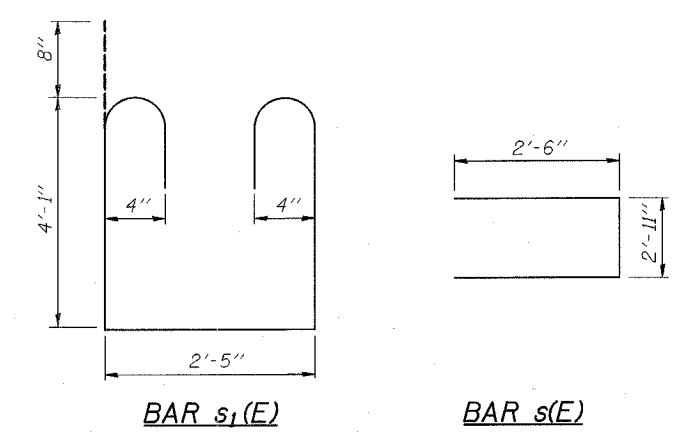
**FIBERGLASS PIPE**



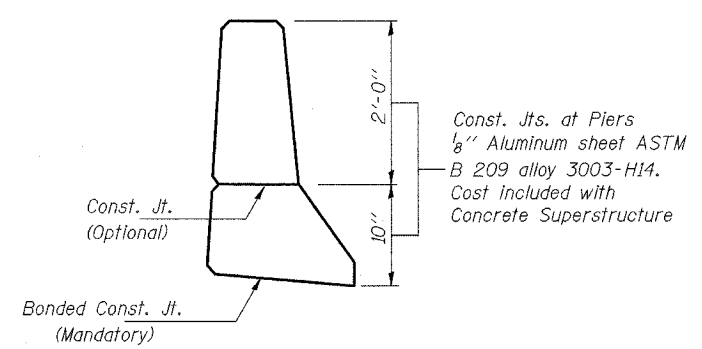
**BARS d(E) & d<sub>2</sub>(E) BAR d<sub>1</sub>(E) BARS d<sub>3</sub>(E) & d<sub>5</sub>(E)**



**BAR u(E) BAR v(E) BAR d<sub>4</sub>(E)**



**BAR s<sub>1</sub>(E) BAR s(E)**

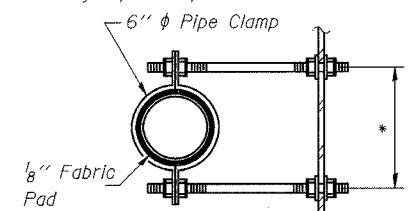


**PARAPET JOINT DETAILS**

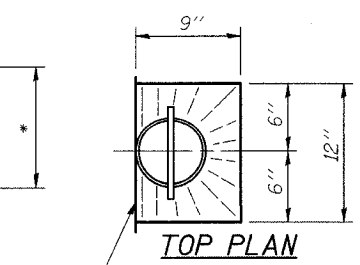
**NOTES**

The exterior surfaces of the floor drains shall be painted with the finish coat as specified in the special provisions for Cleaning and Painting New Metal Structures. The exterior surfaces of the drains shall be cleaned according to Steel Structures Painting Council's Spec. SSPC-SP1 prior to painting. Fiberglass pipe shall conform to ASTM D 2996, with short-time rupture strength hoop tensile stress of 30,000 p.s.i. minimum.

\* Dimension as required by Pipe Clamp



**SECTION B-B**



**TOP PLAN**

Face of Parapet

FILE ABBREV

super-details