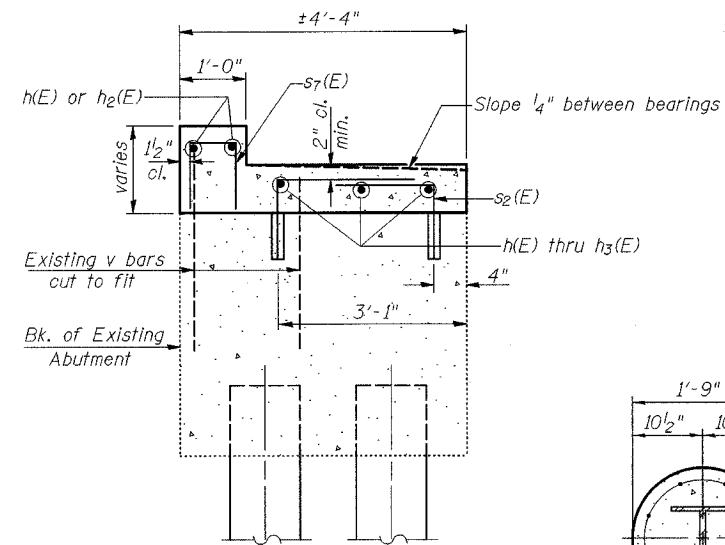


CONTRACT NO. 94827

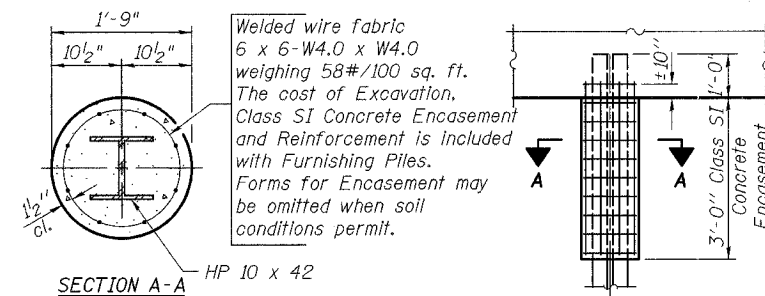
BILL OF MATERIAL

Bar	No.	Size	Length	Shape
$h(E)$	10	#5	19'-3"	—
$h_1(E)$	3	#5	8'-4"	—
$h_2(E)$	10	#5	29'-0"	—
$h_3(E)$	6	#5	19'-7"	—
$h_4(E)$	3	#5	8'-10"	—
$h_5(E)$	30	#5	12'-2"	—
$h_7(E)$	20	#5	9'-8"	—
$p(E)$	3	#7	22'-6"	—
$p_1(E)$	3	#7	20'-0"	—
$p_2(E)$	16	#7	5'-9"	—
$p_3(E)$	8	#7	19'-4"	—
$p_4(E)$	2	#7	21'-3"	—
$s_2(E)$	106	#4	3'-9"	□
$s_3(E)$	36	#4	15'-1"	□
$s_4(E)$	6	#4	16'-4"	□
$s_5(E)$	39	#4	5'-8"	□
$s_6(E)$	41	#5	6'-1"	□
$s_7(E)$	53	#5	2'-5"	□
$u_1(E)$	8	#6	9'-8"	—
$v_1(E)$	10	#5	16'-10"	—
$v_2(E)$	10	#5	14'-4"	—
Structure Excavation	Cu. Yd.		183	
Concrete Structures	Cu. Yd.		44.7	
Reinforcement Bars Epoxy Coated	Lbs.		3790	
Furnishing Steel Piles HP10x42	Ft.		217	
Driving Steel Piles	Ft.		217	
Test Piles Steel HP10x42	Each		1	
Bar Splicers	Each		5	

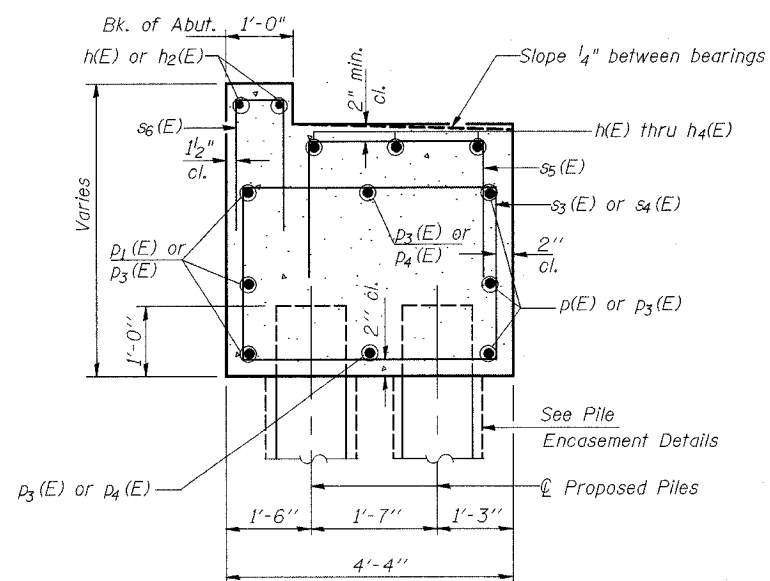
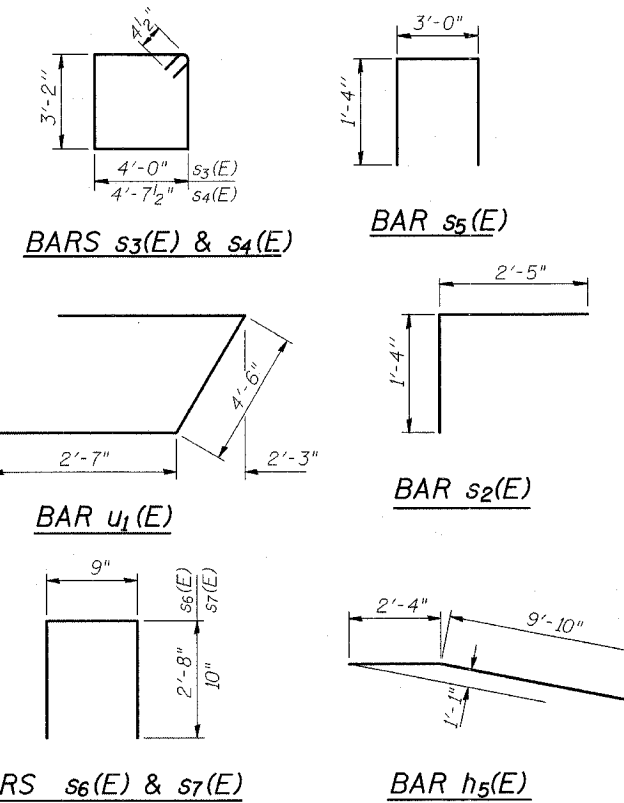
Reinforcement bars designated (E) shall be epoxy coated.



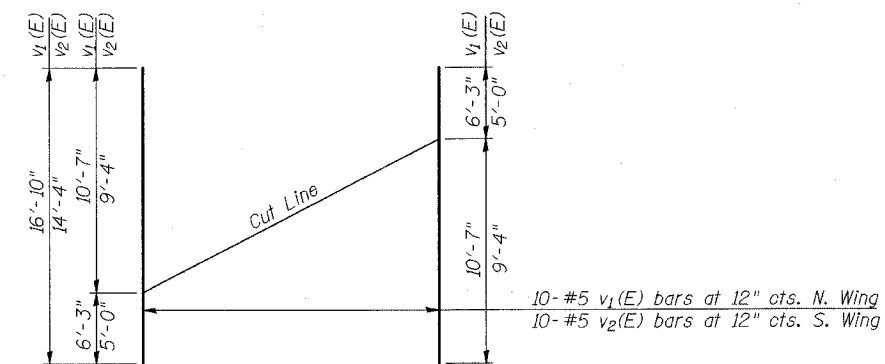
SECTION B-B



PILE ENCASEMENT DETAIL



SECTION A-A



FIELD CUTTING DIAGRAM

Order $v_1(E)$ and $v_2(E)$ bars full length.
Cut as shown and use remainder of bars in opposite face.

Work this sheet with sheet 18 of 29.

SHEET TITLE		WEST ABUTMENT DETAILS	
PROJECT	IL RTE. 32/33 OVER LITTLE WABASH RIVER F.A.P. RTE. 774 SECTION 107BY EFFINGHAM COUNTY STATION 1011+50.17 STRUCTURE NO. 025-0078	PROJECT NO.	02017
SCALE		DATE	
DRAWN BY	TFG	CHECKED BY	GJB/MCB
DRAWING NO.			
COOMBE-BLOXDORF P.C. Engineers / Land Surveyors Springfield, Illinois Design Firm License No. 184-002708			19
			OF 29 SHTS