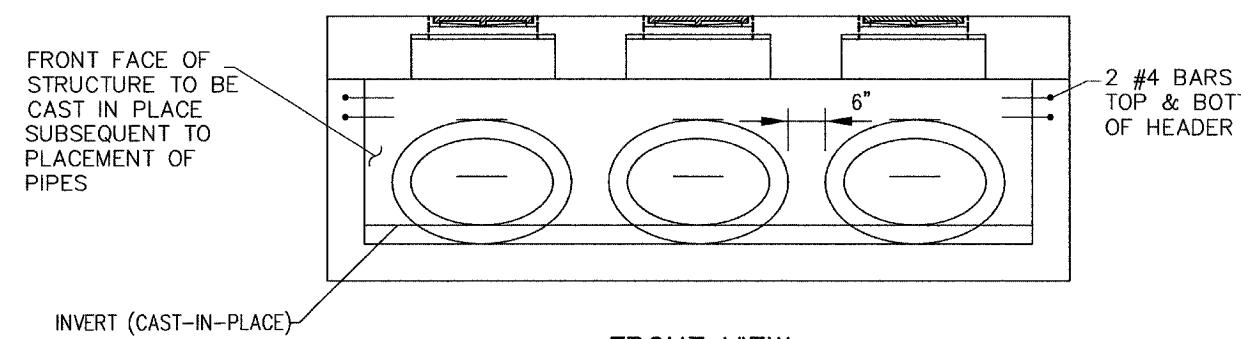
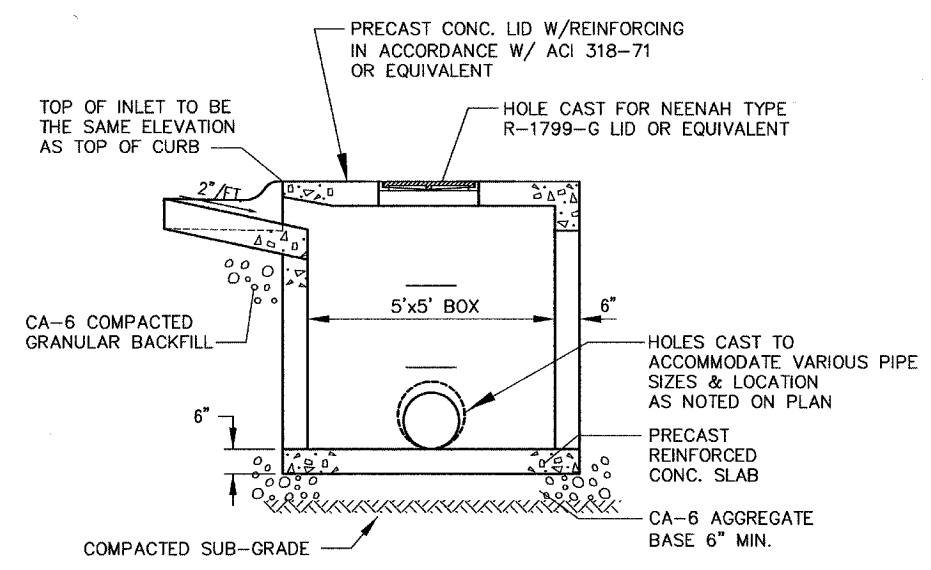


PLAN



FRONT VIEW



ELEVATION

**SPECIFICATIONS:**  
PRE-CAST INLET SHALL CONFORM TO ASTM C-478

**EXECUTION:**  
ALL WORK SHALL CONFORM TO ILLINOIS STANDARD SPECIFICATIONS FOR ROAD AND BRIDGE CONSTRUCTION.

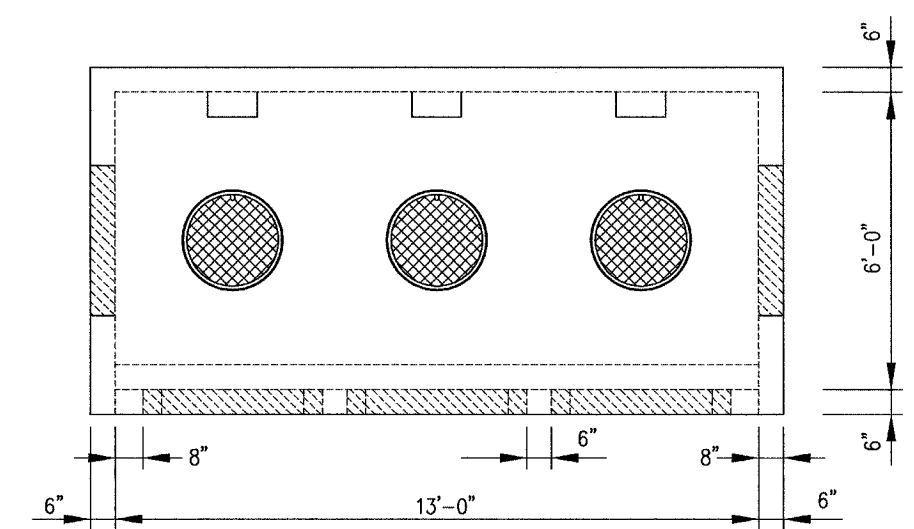
TYPICAL OPEN THROAT INLET

INLET, SPECIAL #1  
VARIOUS LOCATIONS



PLAN

INLET, SPECIAL #2  
STA 41+38.36 LT



TOP VIEW

INLET, SPECIAL #3  
STA 36+21.83 LT & RT

REVISIONS	
NAME	DATE

STORM SEWER DETAILS  
  
HARNETT STREET IMPROVEMENTS  
CITY OF MASCOUTAH  
ST. CLAIR COUNTY, ILLINOIS