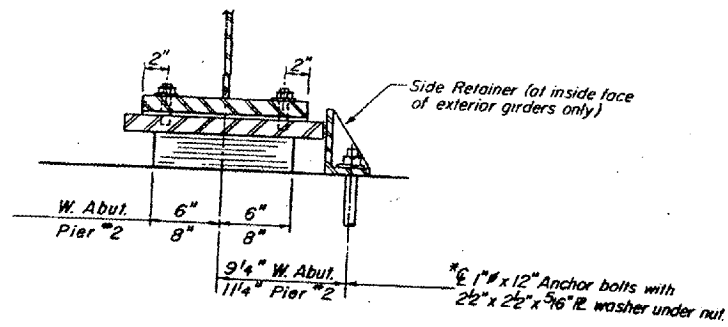
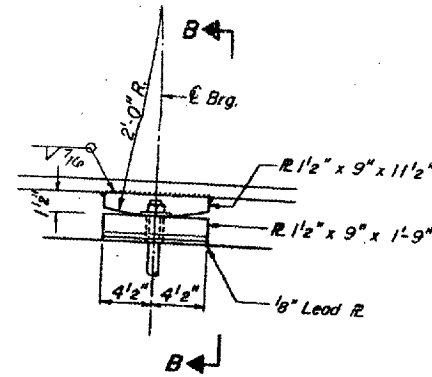


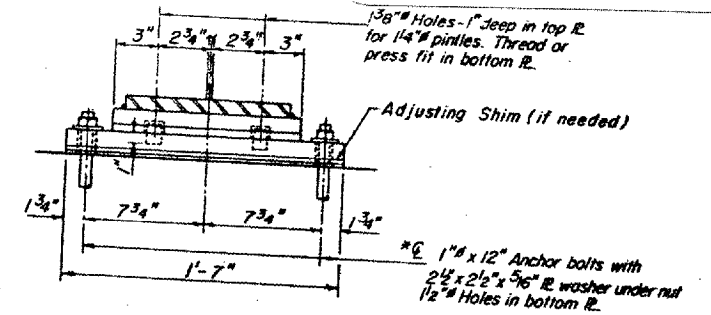
SECTION AT ABUT.



SECTION A-A

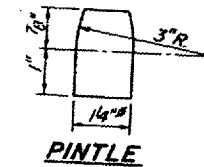


ELEVATION AT PIER



SECTION B-B

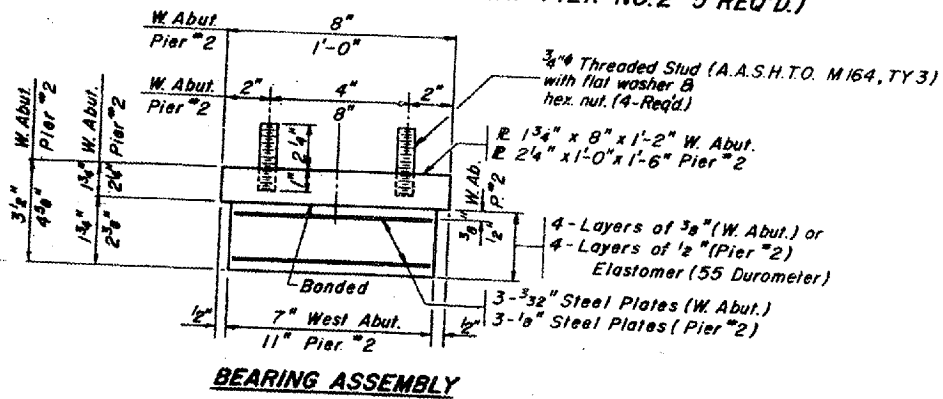
FIXED BEARING  
 (AT PIER NO. 1 5 REQ'D.)



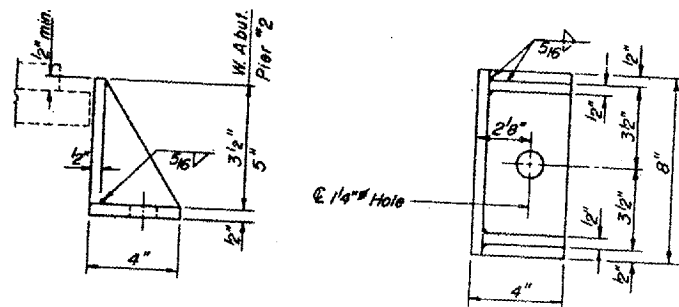
PINTLE

\*Note: After girders have been erected holes at expansion bearings shall be drilled and anchor bolts grouted in place. Anchor bolts at fixed bearings may be built into the masonry.

TYPE I ELASTOMERIC EXP. BRG.  
 (AT WEST ABUTMENT 5 REQ'D.)  
 (AT PIER NO. 2 5 REQ'D.)



BEARING ASSEMBLY



SIDE RETAINER

FOR INFORMATION ONLY:  
 BRIDGE NO. 2 STRUCTURE 100-0033

TYPE I ELASTOMERIC EXP. BRG.  
 FEDERAL AID PRIMARY RT. 726 (ILL. 148)  
 SECTION 129-BC-BR-1  
 OVER POND CREEK  
 WILLIAMSON COUNTY  
 STATION 222+80.00

PK.B  
 T.E.H.  
 M.L.B.  
 T.E.H.



3052005  
 11-12-21