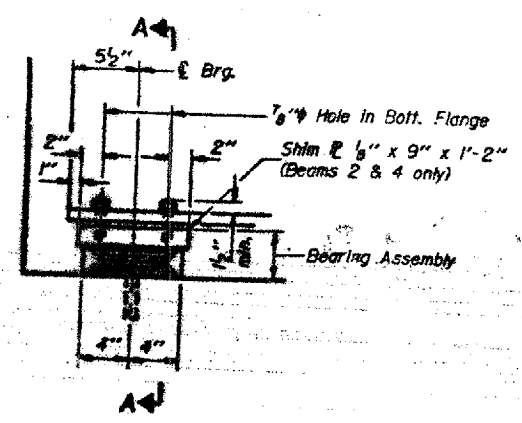


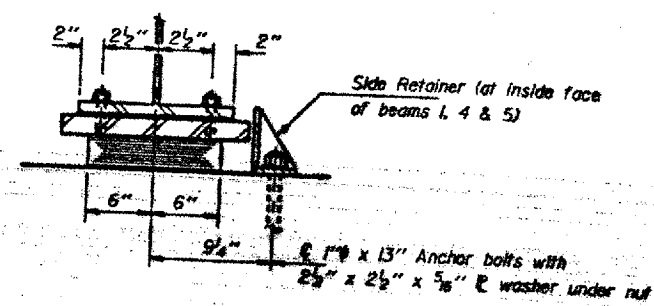
NO.	REV.	DATE	BY	CHKD.
1				
2				
3				
4				
5				
6				

30 SHEETS

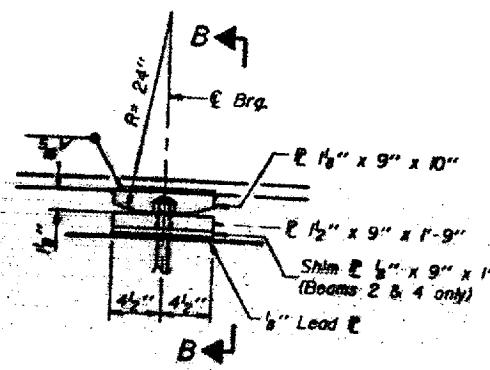
STATE OF ILLINOIS
 DEPARTMENT OF TRANSPORTATION



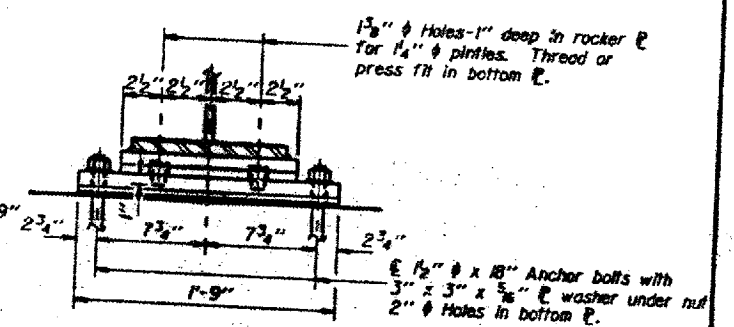
ELEVATION AT ABUTS.



SECTION A-A



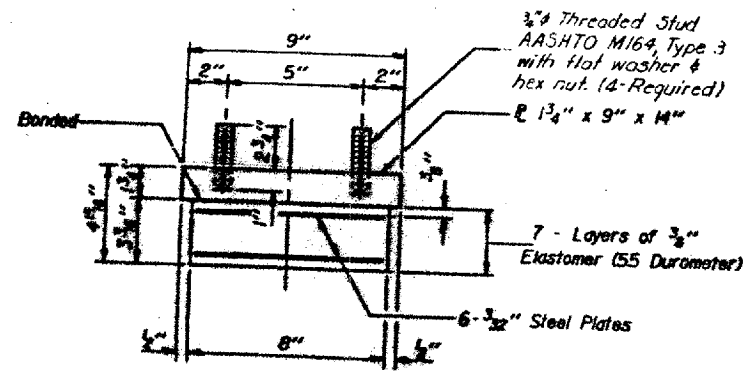
ELEVATION AT PIERS 2, 5, 8 & 9
 (Fixed Bearings)



SECTION B-B

TYPE I ELASTOMERIC EXP. BRG.

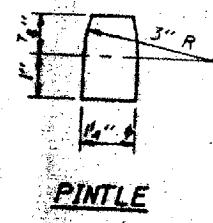
Notes: Anchor bolts at fixed bearings may be built into the masonry. After beams have been erected holes at expansion bearings shall be drilled and anchor bolts grouted in place. See sheet #20 for Anchor Bolt Installation details.



BEARING ASSEMBLY

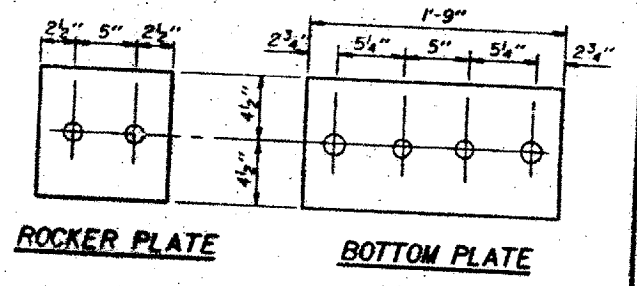
(E. Abut., Pier 4-East & West Brg., Pier 7-East & West Brg., W. Abut.)

Note: Shim plates shall not be placed under Bearing Assembly.



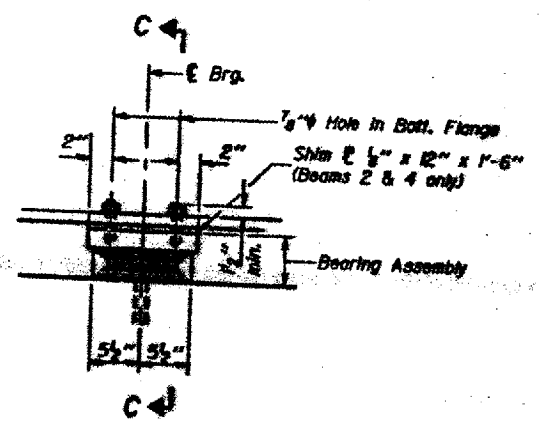
PINTLE

FIXED BEARING



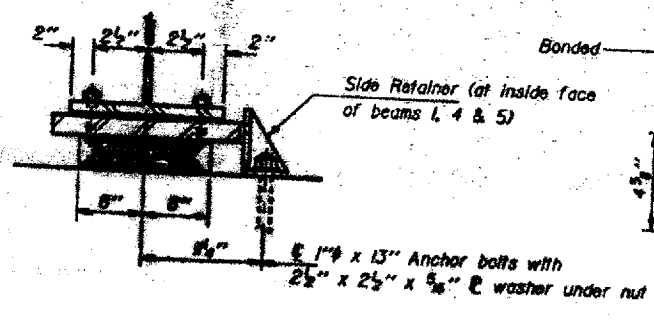
ROCKER PLATE

BOTTOM PLATE

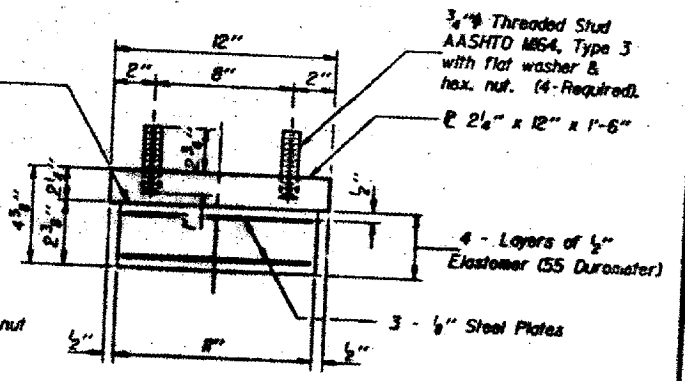


ELEVATION AT PIERS 1, 3, 6 & 10

TYPE I ELASTOMERIC EXP. BRG.

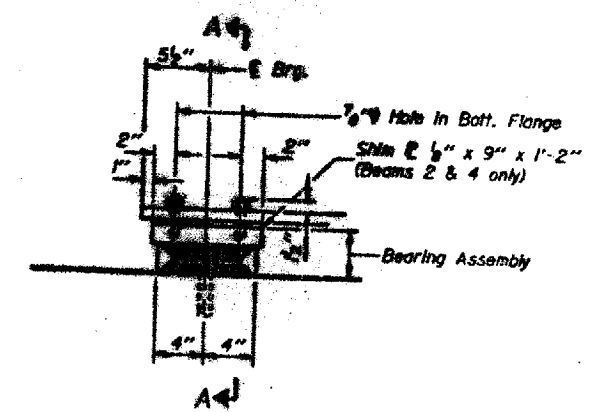


SECTION C-C

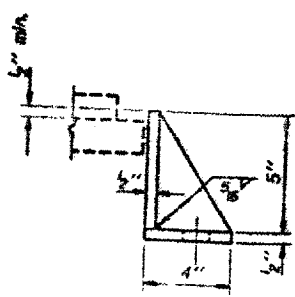


BEARING ASSEMBLY
 (Piers 1, 3, 6 & 10)

Note: Shim plates shall not be placed under Bearing Assembly.

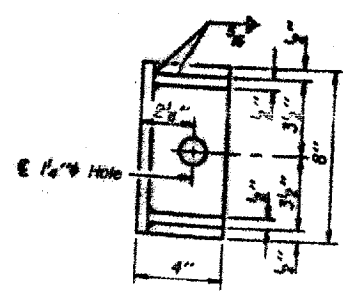


ELEVATION AT PIERS 4 & 7



SIDE RETAINER

Equivalent rolled angle with stiffeners will be allowed in lieu of welded plates.



DESIGNED: <i>W. K. Whit</i>	ENGINEER: <i>May E.</i>
CHECKED: <i>J. R. P.</i>	PASSED: <i>A. A. H.</i>
DRAWN: <i>M. C. D.</i>	APPROVED: <i>J. R. P.</i>
CHECKED: <i>R. B.</i>	

I-2-EI 12-1-83

FOR INFORMATION ONLY:
 BRIDGE NO. 3 STRUCTURE 073-0023

BILL OF MATERIAL

Item	Unit	Total
Elastomeric Bearing Assembly, Type I	Each	50

BEARING DETAILS
 F.A. RTE. 865 SEC. 104BC-BR
 PERRY COUNTY
 STA. 9J4+29.00