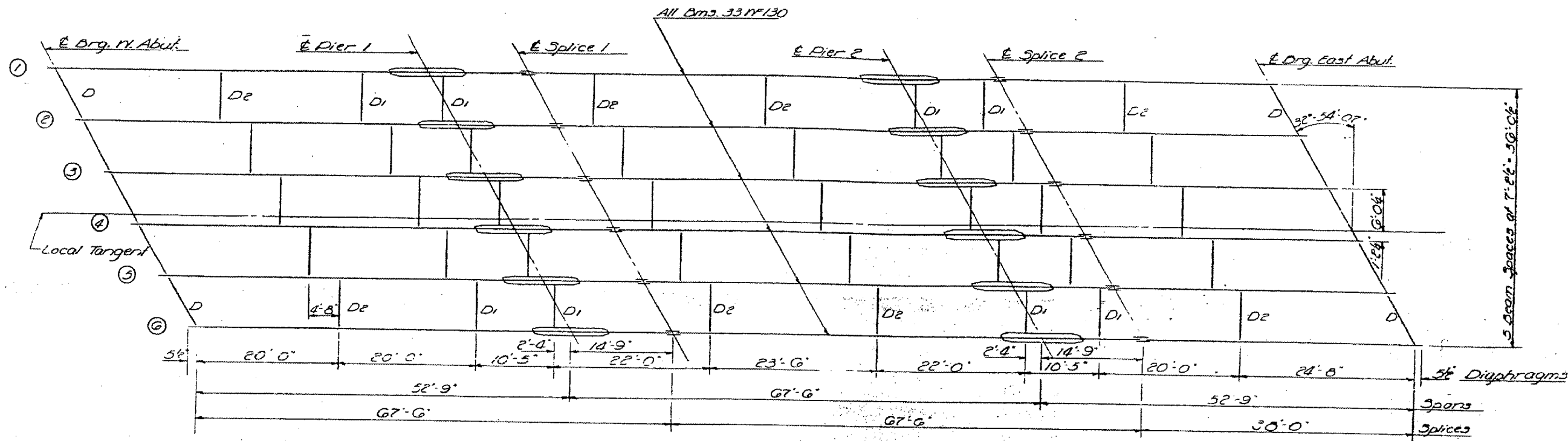


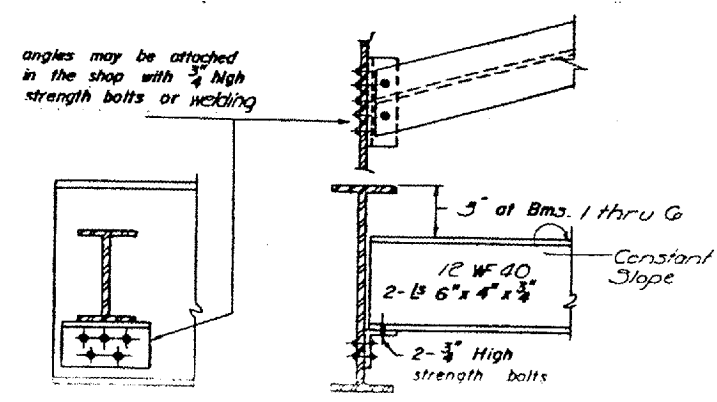
STATE OF ILLINOIS  
DEPARTMENT OF PUBLIC WORKS & BUILDINGS  
DIVISION OF HIGHWAYS

CONTRACT NO.: 98882  
ROUTE: VARIOUS  
COUNTY: VARIOUS  
SECTION: D-9 CONTRACT MAINTENANCE  
SHEET NO.: 11 OF 43

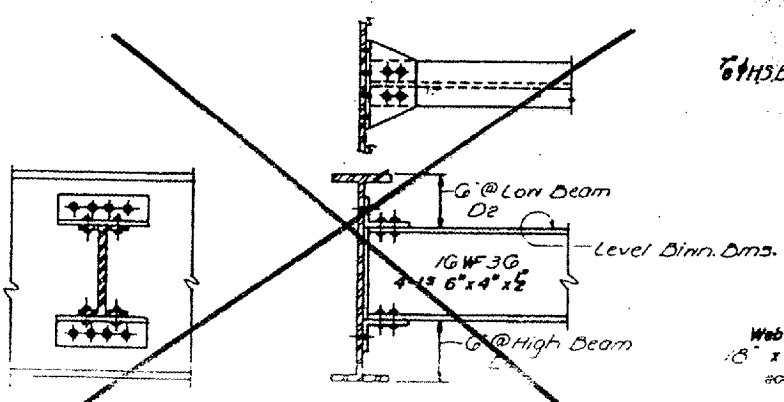
|              |     |           |
|--------------|-----|-----------|
| DATE         | NO. | REVISION  |
| 11-24        | 1   | AS SHOWN  |
| MASSAC 79 40 |     | // SHEETS |



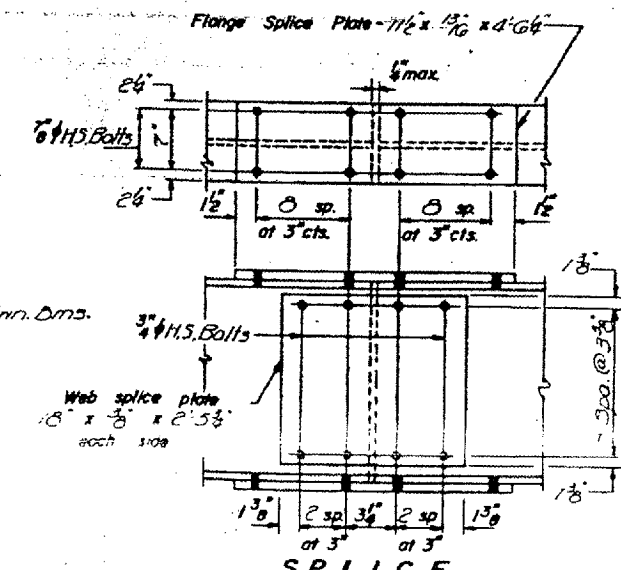
PLAN



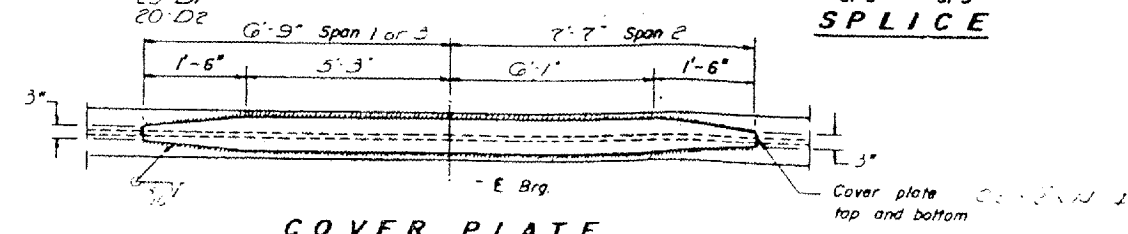
DIAPHRAGM D  
10 Required



DIAPHRAGM D1 & D2  
Required 20-D1, 20-D2



SPLICE



COVER PLATE

ELEVATION TOP OF DE

| Location        | Beam | 1       | 2       | 3       | 4       | 5       | 6       |
|-----------------|------|---------|---------|---------|---------|---------|---------|
| E Brg. W. Abut. |      | 394.003 | 394.356 | 394.629 | 394.901 | 395.173 | 395.444 |
| E Pier 1        |      | 394.400 | 394.673 | 394.946 | 395.218 | 395.490 | 395.761 |
| E Splice 1      |      | 394.406 | 394.759 | 395.032 | 395.304 | 395.576 | 395.847 |
| E Pier 2        |      | 394.779 | 395.052 | 395.325 | 395.597 | 395.869 | 396.140 |
| E Splice 2      |      | 394.861 | 395.134 | 395.407 | 395.679 | 395.951 | 396.222 |
| E Brg. E Abut.  |      | 395.31  | 395.604 | 395.877 | 396.149 | 396.421 | 396.692 |

DESIGNED *Heng Lee*  
CHECKED *Sam E. Johnson*  
DRAWN *J. Schneller*  
CHECKED *H.W. SFM*

EXAMINED *SEPT 30 1968*  
PASSED  
APPROVED

FOR INFORMATION ONLY:  
BRIDGE NO. 1 STRUCTURE 064-0020