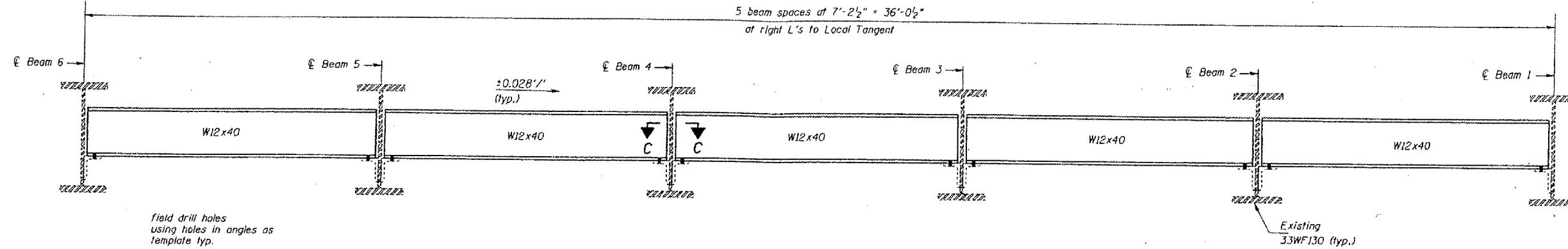


STATE OF ILLINOIS  
 DEPARTMENT OF TRANSPORTATION

ROUTE NO.	COUNTY	SHEET NO.	TOTAL SHEETS
F.A.I. 24	MASSAC	234	158

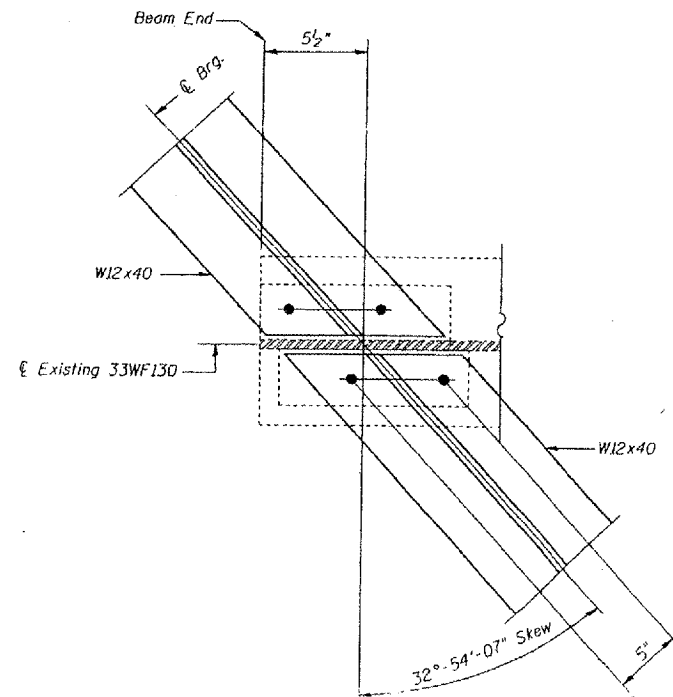
64(1.2.2-1.3-1.3)RS-1 BSMART FY2002-2



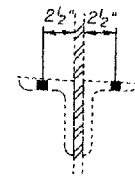
field drill holes  
 using holes in angles as  
 template typ.

DIAPHRAGM REPLACEMENT AT ABUTMENTS

Required: 10 - W12 x 40 x 8'-5 3/4" long



SECTION C-C



CLIP ANGLES

Note: 5/16"  $\phi$  Holes for new 3/4" H.S. Bolts shall be used for all diaphragm connections. Two hardened washers shall be required at diaphragm connections. Existing angles are welded to the web and are to be reused

DESIGNED:	CMW
CHECKED:	TWH
DRAWN:	CMW
CHECKED:	TWH

FOR INFORMATION ONLY:

BRIDGE NO. 1 STRUCTURE  
 064-0020