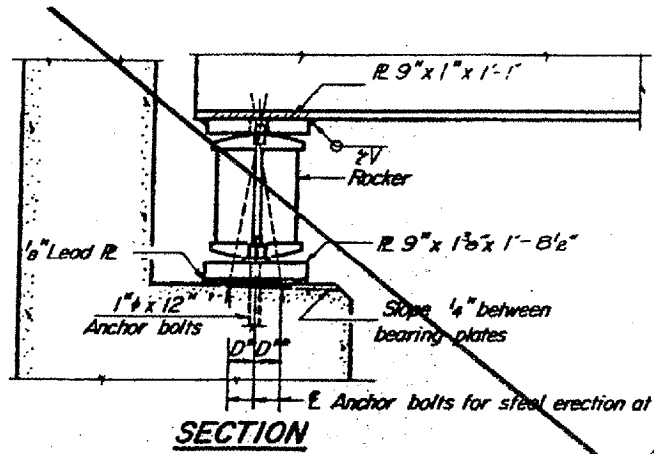
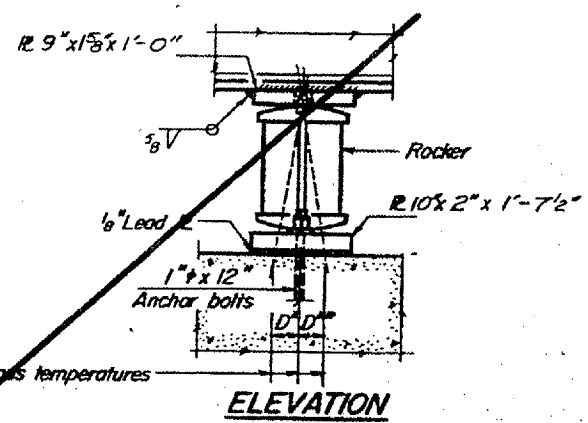


STATE OF ILLINOIS
 DEPARTMENT OF PUBLIC WORKS & BUILDINGS
 DIVISION OF HIGHWAYS

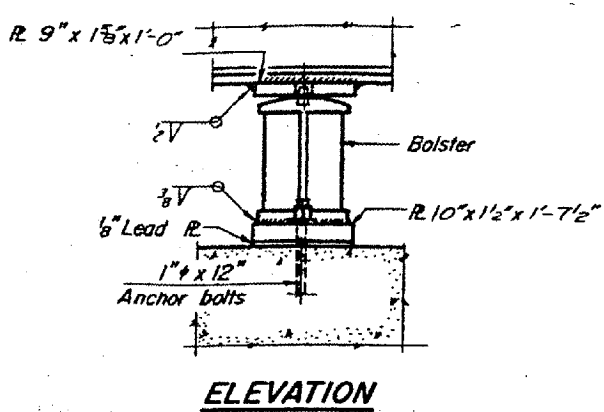
DATE	DESCRIPTION	QUANTITY	UNIT	PRICE	TOTAL
27	64-218	MASSAC	79	27	
SHEET NO. 5					11 SHEETS



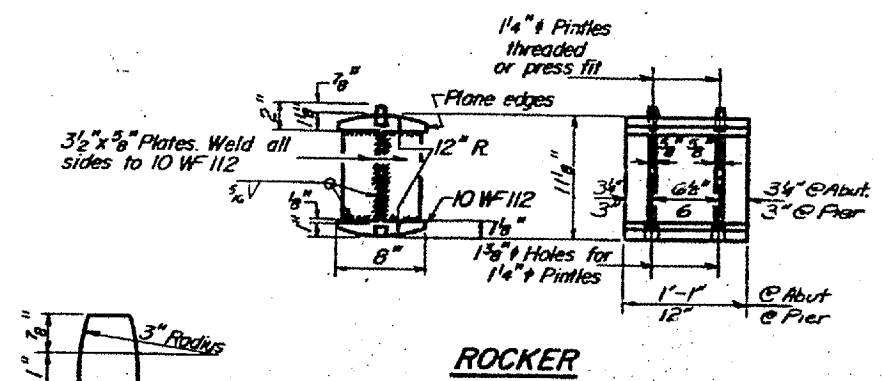
SECTION



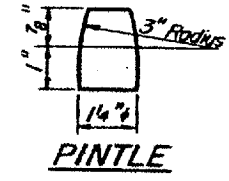
ELEVATION



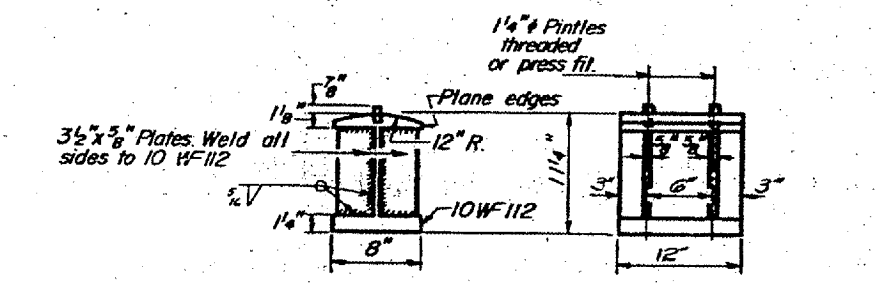
ELEVATION



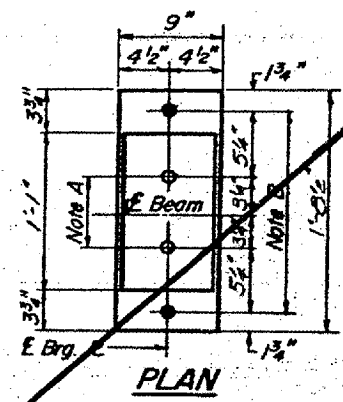
ROCKER



PINTLE

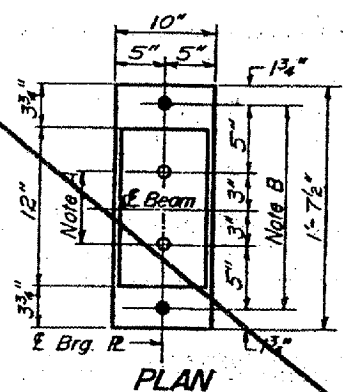


BOLSTER



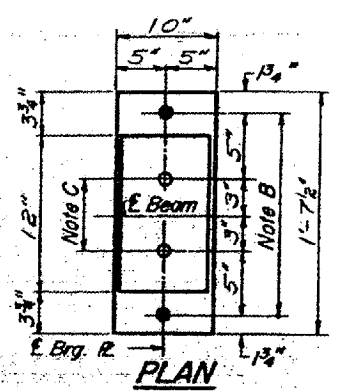
PLAN

AT ABUTMENT



PLAN

AT PIER 2



PLAN

AT PIER 1

NOTE A
 1 3/8" Holes - 1" deep in top R.
 for pintles. Thread or press fit
 pintles into bottom R.

NOTE B
 1/2" Holes for 1" anchor bolts.
 2 1/2" x 2 1/2" x 5/16" R. Washers
 under nut.

NOTE C
 1 3/8" Holes 1" deep in top R.
 only for 1 1/4" pintles.

NOTES ON SETTING OF ANCHOR BOLTS AT EXP. BRGS.

- a) D* (Side of brg. away from fixed brg.)
 $D^* = \frac{1}{8}''$ per each 100' of expansion for every 15° fall below the normal temp. of 50°F.
- D** (Side of brg. toward fixed brg.)
 $D^{**} = \frac{1}{8}''$ per each 100' of expansion for every 15° rise above the normal temp. of 50°F.
- b) After beams have been erected and dimensions D* or D** determined, holes shall be drilled and anchor bolts shall be grouted in place. All fixed anchor bolts may be built into the masonry.

BEARING ASSEMBLY DETAILS

DESIGNED <i>Sam Melner</i>	EXAMINED <i>Sept 30 1960</i>
CHECKED <i>H. G. Barnett</i>	PASSED <i>[Signature]</i>
DRAWN <i>P. G. Barnett</i>	APPROVED _____
CHECKED <i>H. L.</i>	_____

FOR INFORMATION ONLY:
 BRIDGE NO. 2 STRUCTURE 064-0021