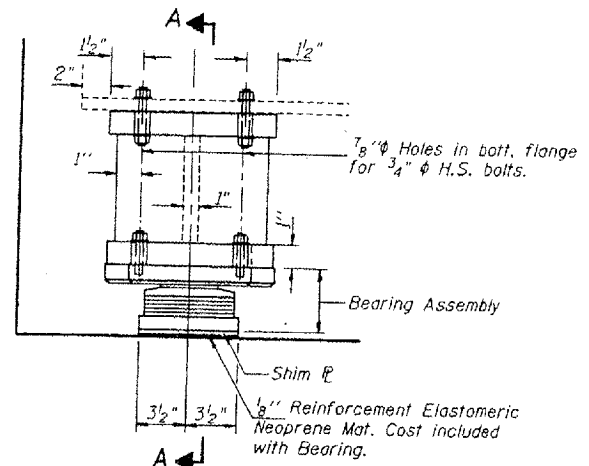
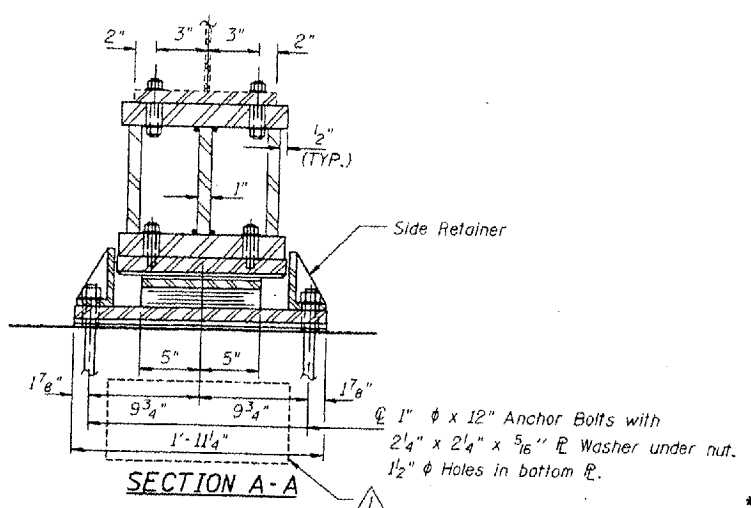


| F.A.P. RTE. | SECTION           | COUNTY | TOTAL SHEETS | SHEET NO. |
|-------------|-------------------|--------|--------------|-----------|
| 1-24        | D-9 BSMART FY2001 | MASSAC | 234          | 209       |

FED. ROAD DIST. NO. ILLINOIS FED. AID PROJECT  
 Sheet 7 of 11 sheets

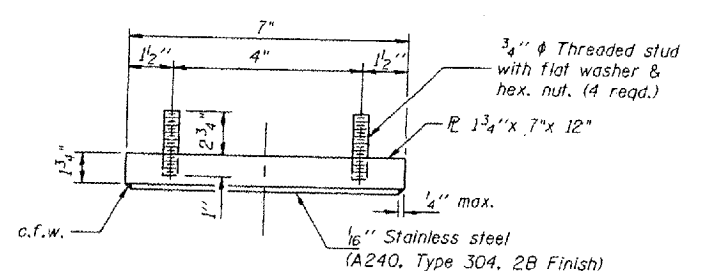


ELEVATION AT ABUT.

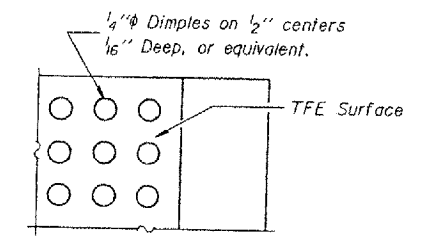


SECTION A-A

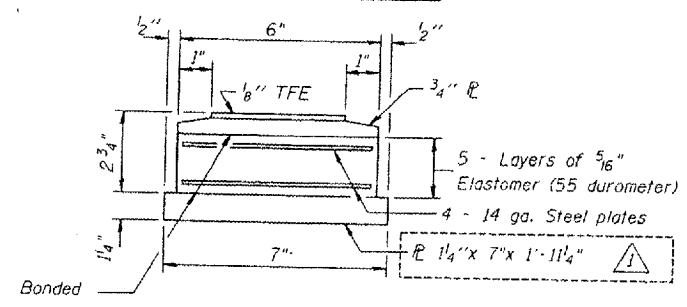
TYPE II ELASTOMERIC EXP. BRG.



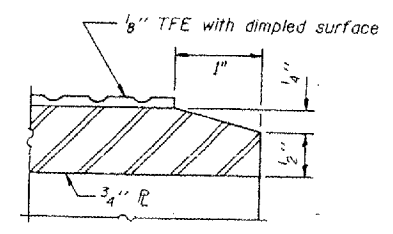
TOP BEARING ASSEMBLY



PLAN-TFE SURFACE



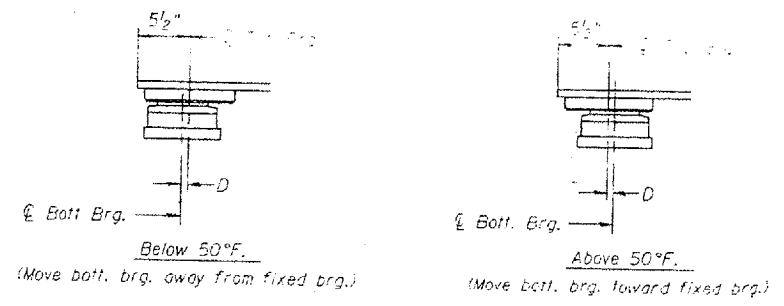
BOTTOM BEARING ASSEMBLY



SECTION THRU TFE

NOTE: The  $\frac{1}{8}$ " TFE sheet shall be bonded directly to the top steel plate with a two-component, medium viscosity epoxy resin, conforming to the requirements of the Federal Specification MMM-A-134, Type I the bond agent shall be applied on the full area of the contact surfaces.

Bonding of  $\frac{1}{8}$ " TFE sheet during vulcanizing process will be permitted provided the process and method of adjusting assembly height is approved by the Engineer.



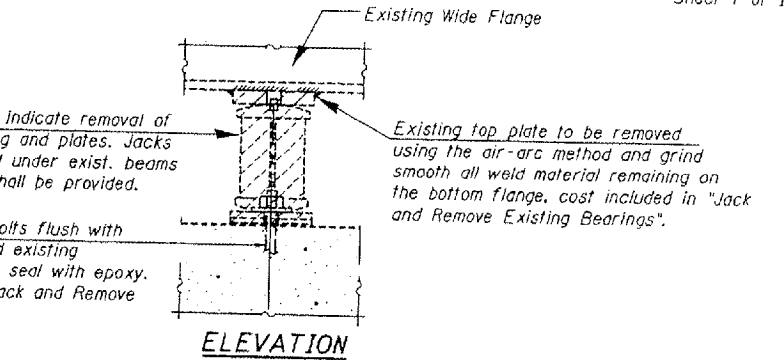
SETTING ANCHOR BOLTS AT EXP. BRG.

$D = \frac{1}{8}$ " per each 100' of expansion for every 15° temp. Change from the normal temp. of 50°F.

\*INTERIOR BEAM REACTION TABLE

|             | SERVICE LOADS |
|-------------|---------------|
| R D (K)     | 13.0          |
| R L (K)     | 32.3          |
| Imp (K)     | 9.7           |
| R Total (K) | 55.0          |

\* Min. Jack capacity at each Beam shall be 30 Tons.



ELEVATION

Hatched areas indicate removal of existing bearing and plates. Jacks shall be placed under exist. beams and cribbing shall be provided.

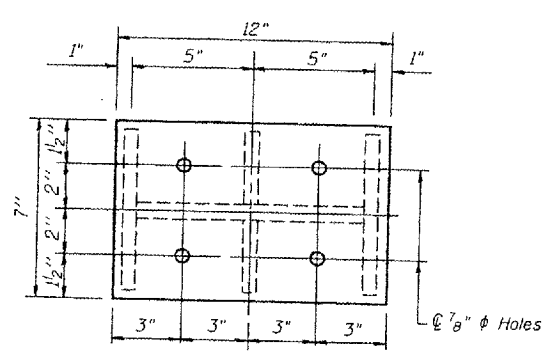
Burn existing anchor bolts flush with concrete surface. Grind existing anchor bolt smooth and seal with epoxy. Cost is incidental to "Jack and Remove Existing Bearings".

Notes:

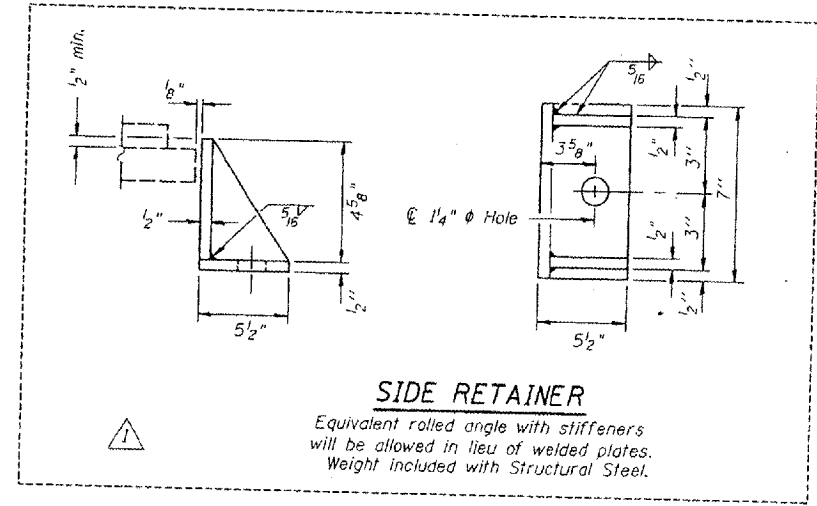
Prior to ordering any material, the contractor shall verify in the field all bearing height dimensions.

For anchor bolt installation details see sheet # 8 of 11

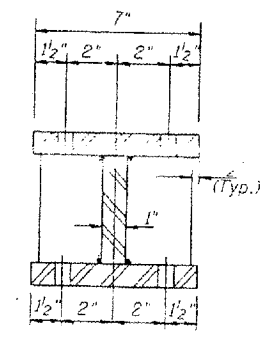
New steel extensions, side retainers, connection bolts, anchor bolts, and shim plates are included in "Furnishing and Erecting Structural Steel".



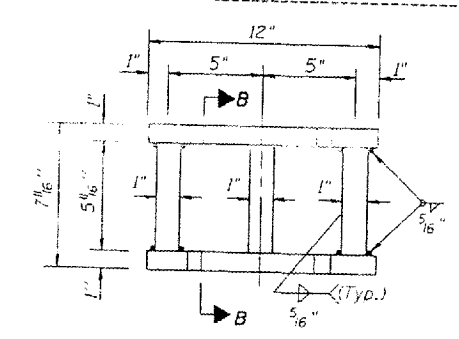
PLAN TOP AND BOTTOM PLATE



SIDE RETAINER



SECTION B-B



STEEL EXTENSION DETAIL

BILL OF MATERIAL

| ITEM                | UNIT | TOTAL |
|---------------------|------|-------|
| ELASTOMERIC BEARING | EACH | 10    |

FOR INFORMATION ONLY:

BRIDGE NO. 3 STRUCTURE 064-0030

BRIDGE NO. 4 STRUCTURE 064-0031

|          |        |
|----------|--------|
| DESIGNED | J.C.P. |
| CHECKED  |        |
| DRAWN    | T. F.  |
| CHECKED  |        |



ELASTOMERIC

9/10/2001 AKK