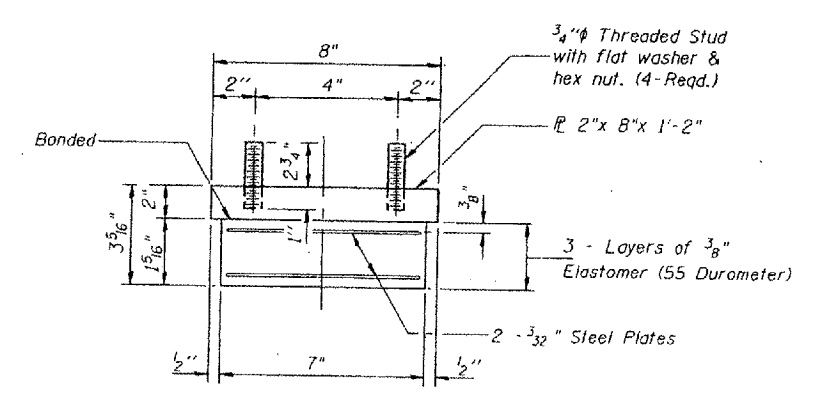


TYPE I ELASTOMERIC BEARING SOUTH ABUT.

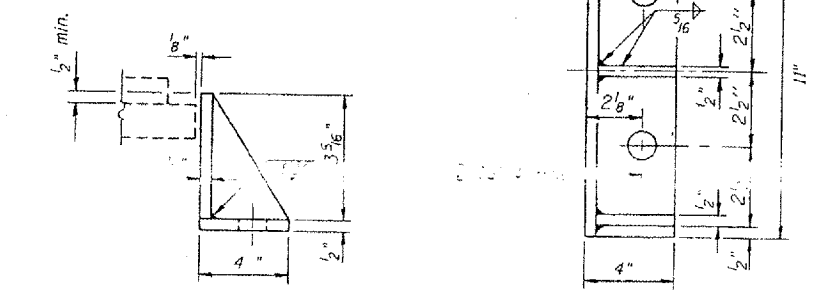
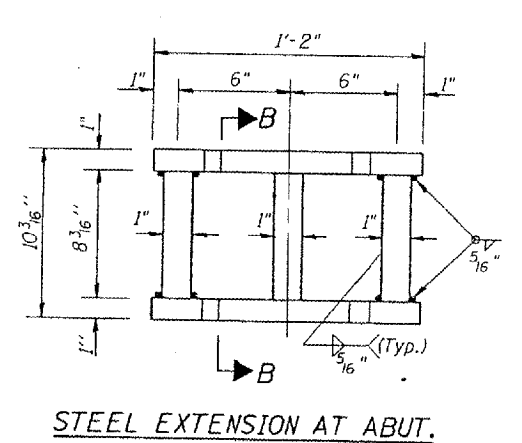
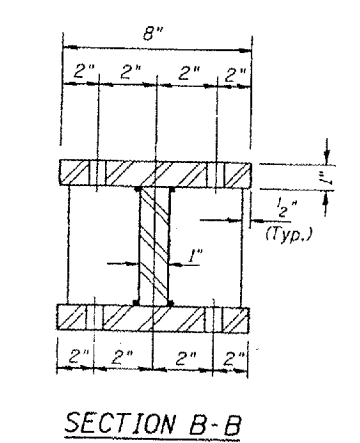
*INTERIOR BEAM REACTION TABLE

	SERVICE LOADS
R _D (K)	17.0
R _L (K)	34.5
Imp (K)	10.4
R Total (K)	61.9

* Min. Jack capacity at each Beam shall be 30 Tons.



Note: Shim plates shall not be placed under Bearing Assembly



Equivalent rolled angle with stiffeners will be allowed in lieu of welded plates. Weight included with Structural Steel.

Notes:
 Prior to ordering any material, the contractor shall verify in the field all bearing height dimensions.
 For anchor bolt installation details see sheet # 8 of 11.
 New steel extension, side retainers, anchor bolts, epoxy, and cribbing shall be provided and installed at Bidder's Risk.

BILL OF MATERIAL

ITEM	UNIT	TOTAL
ELASTOMERIC BEARING ASSEMBLY TYPE I	EACH	12

FOR INFORMATION ONLY:

ELASTOMERIC E BRIDGE NO. 3 STRUCTURE 064-0030
 BRIDGE NO. 4 STRUCTURE 064-0031



Tue Jul 17 15:38:09 2001
 c:\p\project\064-0031\typ\064-0031.dgn LV1-63

DESIGNED	J.C.P.
CHECKED	
DRAWN	T.F.
CHECKED	