

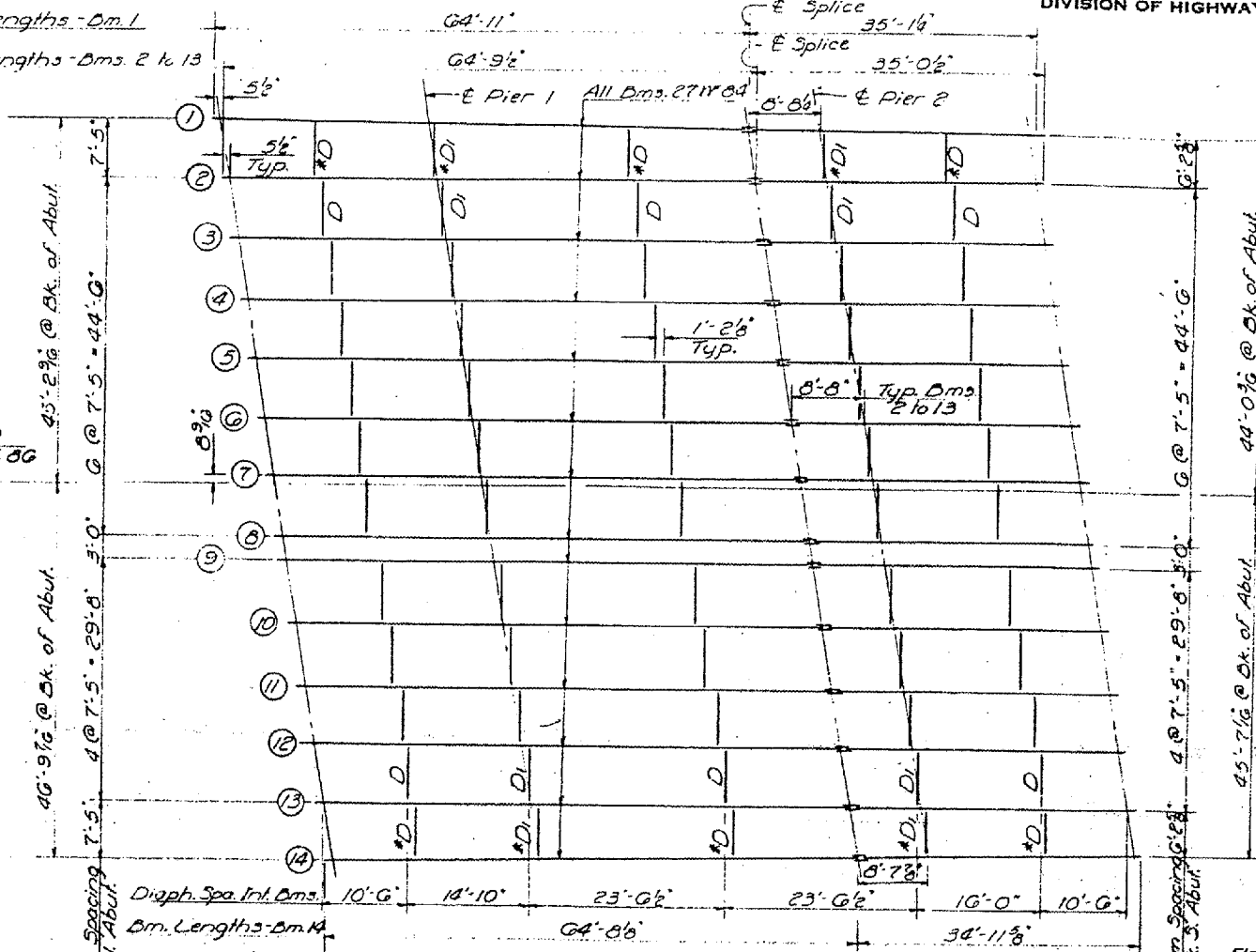
STATE OF ILLINOIS  
DEPARTMENT OF PUBLIC WORKS & BUILDINGS  
DIVISION OF HIGHWAYS

CONTRACT NO.: 98882  
ROUTE: VARIOUS  
COUNTY: VARIOUS  
SECTION: D-9 CONTRACT  
MAINTENANCE  
SHEET NO.: 36 OF 43

ROUTE NO.	SECTION
24	3
SHEET NO.: 36 OF 43	

Beam Lengths - Dm. 1

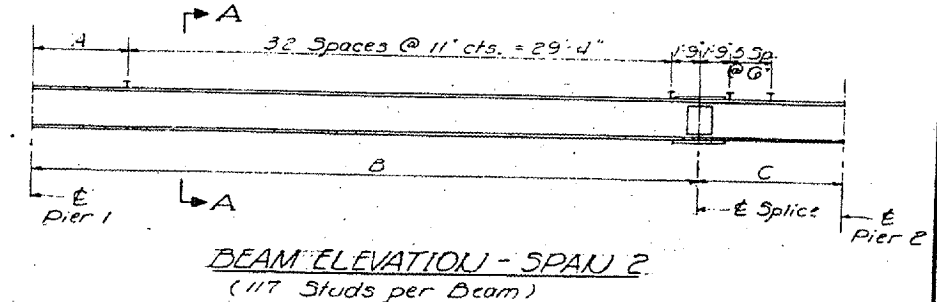
Beam Lengths - Dms. 2 to 13



TOP OF RF ELEVATIONS

Beam Location	1	2	3	4	5	6	7	8	9	10	11	12	13	14
E. Brg. Uo. Abut.	372.03	371.92	371.81	371.71	371.60	371.42	371.11	371.29	371.41	371.40	371.37	371.20	371.15	371.05
E. Pier 1	372.11	372.00	371.89	371.79	371.68	371.50	371.19	371.37	371.49	371.50	371.45	371.34	371.29	371.13
E. Splice	372.28	372.11	372.00	371.90	371.79	371.61	371.30	371.48	371.60	371.67	371.56	371.45	371.34	371.24
E. Pier 2	372.25	372.13	372.03	371.93	371.82	371.64	371.33	371.51	371.63	371.70	371.59	371.48	371.37	371.27
E. Brg. So. Abut.	372.33	372.21	372.11	372.01	371.90	371.72	371.41	371.59	371.71	371.70	371.67	371.56	371.45	371.35

	A	B	C
Dm. 1	7'-4 1/2"	38'-5 1/2"	8'-8 1/2"
Dms. 2-13	7'-4"	38'-5"	8'-8"
Dm. 14	7'-3 1/2"	38'-4 1/2"	8'-7 1/2"



BEAM ELEVATION - SPAN 2  
(117 Studs per Beam)

MOMENTS & REACTIONS (INT. BMS.)

	*MOMENTS (FT.-Kips)			REACTIONS (Kips)	
	A Sp. 1	Pier 1	Sp. 2	Abuts.	Piers
D.L.	12.1	142.4	95.1	5.0	30.0
S.D.L.	7.5	33.7	38.4	2.1	10.0
L.L. & Imp.	158.5	171.4	343.7	29.3	43.9
Total	178.1	347.5		37.0	91.5

\* 5ymm. about E Span 2

SHEARS - SPAN 2

	.25L	.5L
S.D.L.	3.1	-
L.L. & Imp.	35.0	18.4
Total	38.1	18.4

PROPERTIES

STEEL SECTION	
Ic	2624.8 in. <sup>4</sup>
Sc	211.7 in. <sup>3</sup>
I (Pier)	4061.0 in. <sup>4</sup>
I (Abut.)	233.0 in. <sup>4</sup>

COMPOSITE SECTION

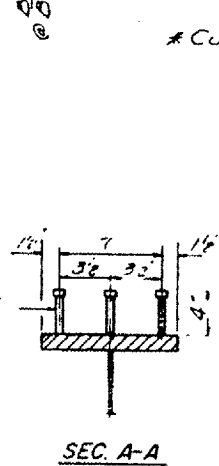
Ic	8877.3 in. <sup>4</sup>
Sc	336.6 in. <sup>3</sup>

FOR INFORMATION ONLY:

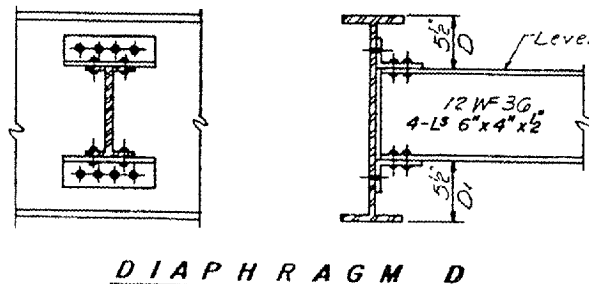
BRIDGE NO. 7 STRUCTURE 064-0034

PLAN

\* Cut Diaphragms to fit.

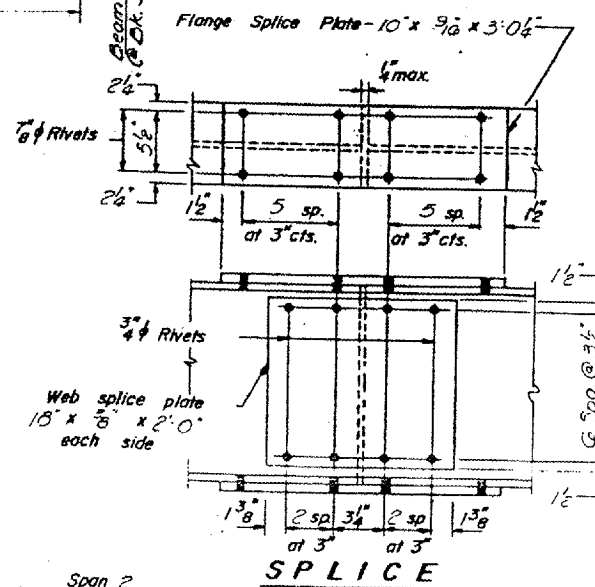


SEC. A-A

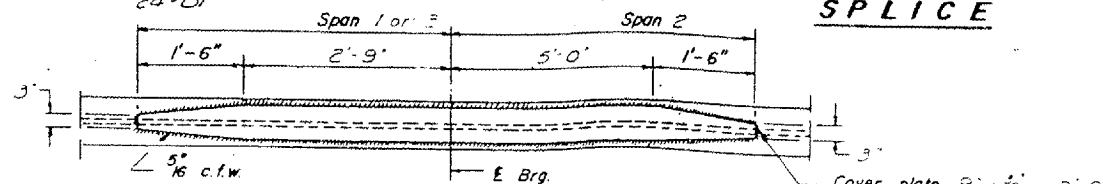


DIAPHRAGM D

Required  
36-D  
24-D



SPLICE



COVER PLATE  
AT PIERS

DESIGNED	<i>[Signature]</i>
CHECKED	<i>[Signature]</i>
DRAWN	J. Schneller
CHECKED	<i>[Signature]</i>

EXAMINED	<i>[Signature]</i>	FEB. 6 1962
PASSED	<i>[Signature]</i>	
APPROVED	<i>[Signature]</i>	

I-2-CD 9-1-65