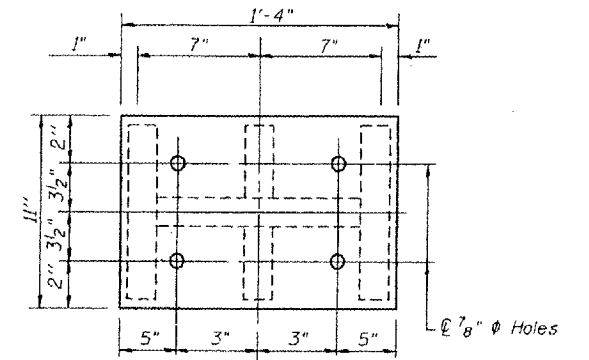
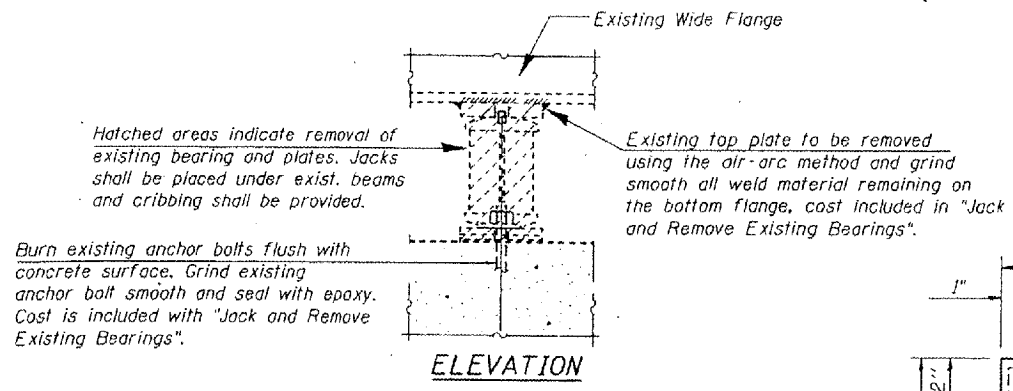
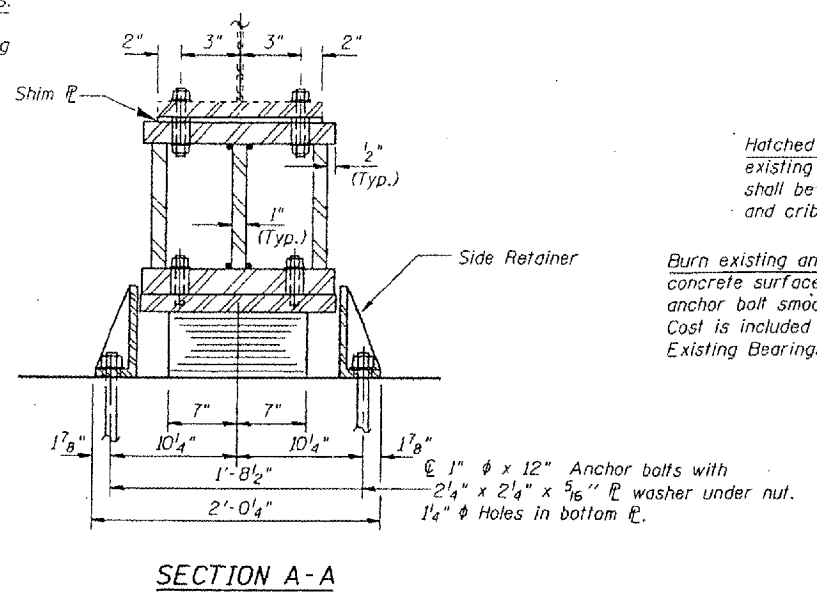
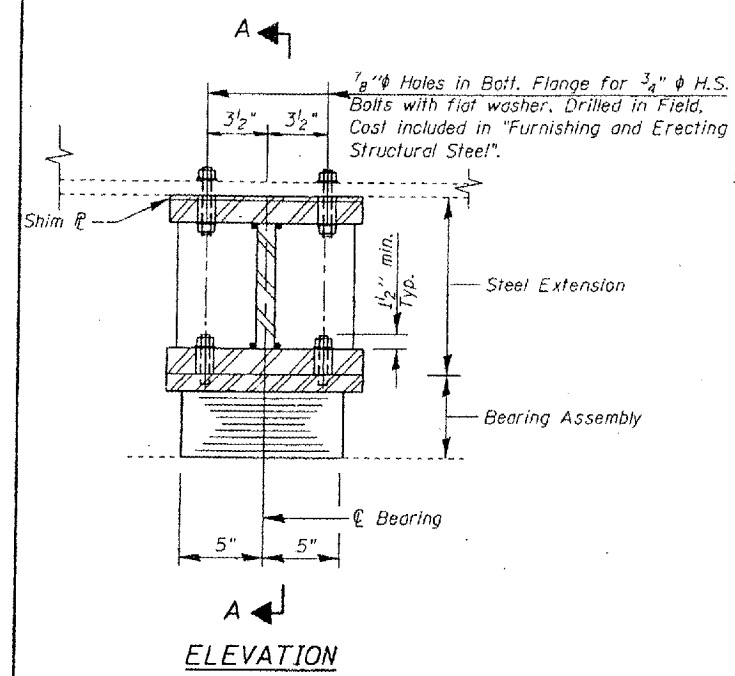
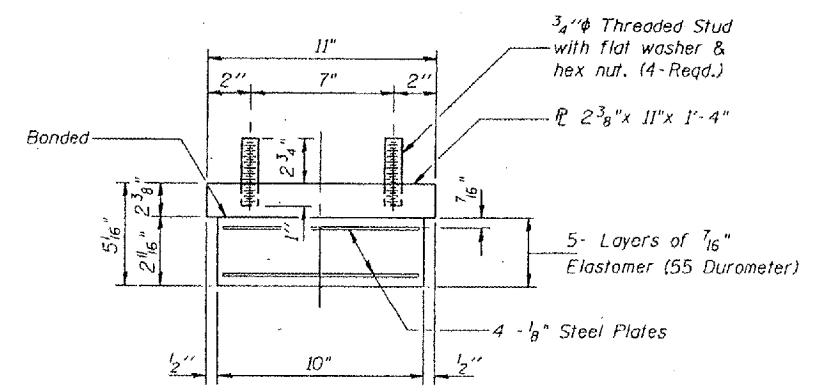


FED. ROAD DIST. NO. ILLINOIS  
 \* 64(1.2.2-1.3-1.3)RS-L BSMART FY2002-2  
 Sheet 8 of 12 sheets



TYPE I ELASTOMERIC BEARING PIER 2

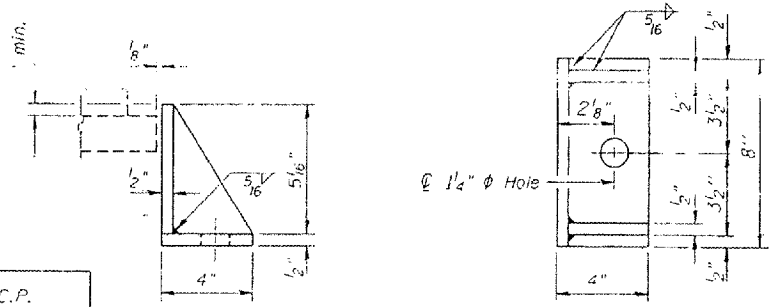
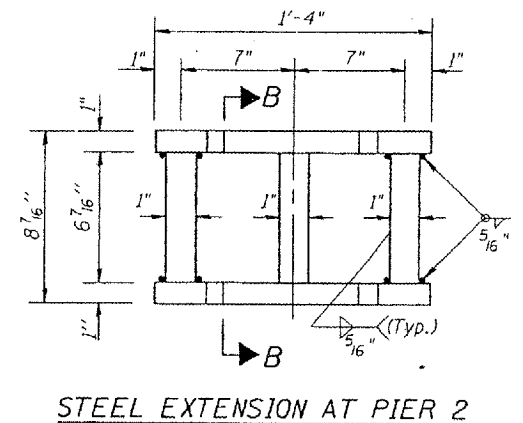
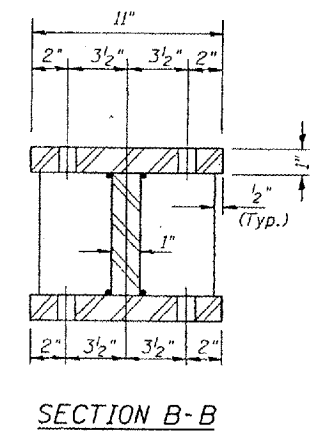


Note: Shim plates shall not be placed under Bearing Assembly

\* BEAM REACTION TABLE

|               | SERVICE LOADS |
|---------------|---------------|
| R $\phi$ (K)  | 58.5          |
| R $\perp$ (K) | 43.3          |
| Imp (K)       | 13.0          |
| R Total (K)   | 114.8         |

\* Min. Jack capacity at each Beam shall be 65 Tons.



Equivalent rolled angle with stiffeners will be allowed in lieu of welded plates. Weight included with Structural Steel.

Notes:  
 Prior to ordering any material, the contractor shall verify in the field all bearing  
 For anchor bolt installation details see sheet # 10 of 12.  
 New steel extensions, side retainers, connection bolts, anchor bolts, and shim plates are included in "Furnishing and Erecting Structural Steel".

BILL OF MATERIAL

| ITEM                                | UNIT | TOTAL |
|-------------------------------------|------|-------|
| ELASTOMERIC BEARING ASSEMBLY TYPE I | EACH | 14    |

FOR INFORMATION ONLY:

ELASTOM. BRIDGE NO. 7 STRUCTURE 064-0034



Wed Jul 18 09:40:26 2001  
 c:\p\0\elast\064-0034\type1bear3.rvt LV:el-63

|          |        |
|----------|--------|
| DESIGNED | J.C.P. |
| CHECKED  |        |
| DRAWN    | T.F.   |
| CHECKED  |        |