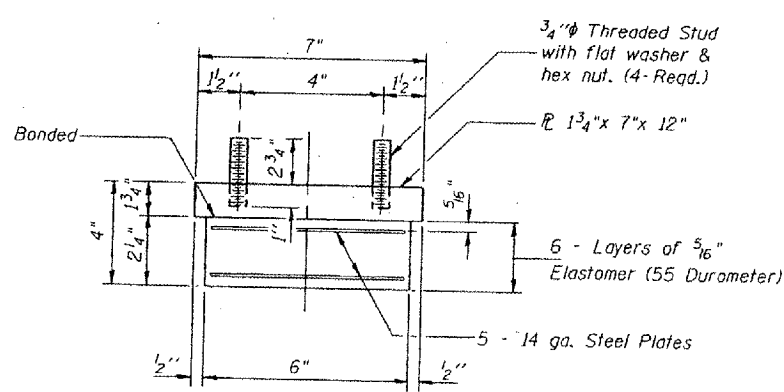


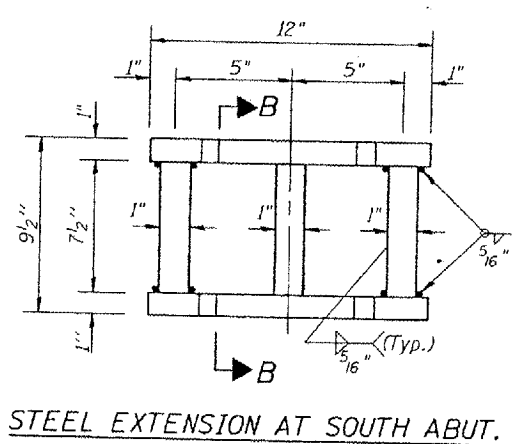
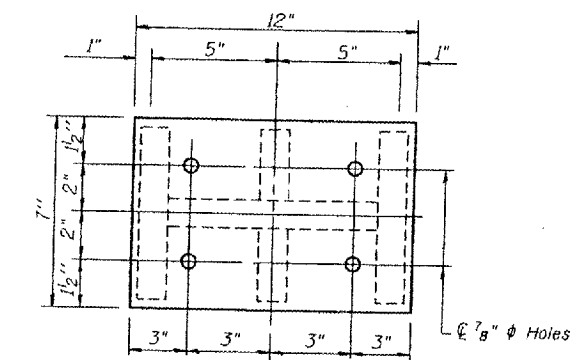
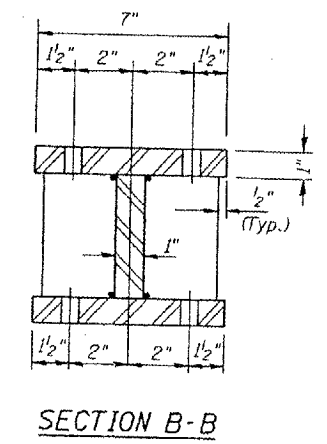
TYPE I ELASTOMERIC BEARING SOUTH ABUT.



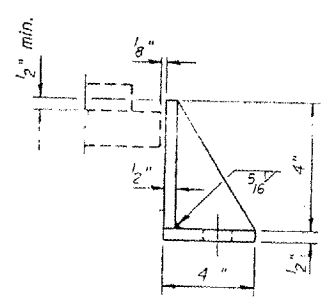
***INTERIOR BEAM REACTION TABLE**

	SERVICE LOADS
R _Q (K)	10.9
R _L (K)	30.8
Imp (K)	9.2
R Total (K)	50.9

* Min. Jack capacity at each Beam shall be 25 Tons.



Note: Shim plates shall not be placed under Bearing Assembly



SIDE RETAINER

Equivalent rolled angle with stiffeners will be allowed in lieu of welded plates. Weight included with Structural Steel.

Notes:
 Prior to ordering any material, the contractor shall verify in the field all bearing front dimensions.
 For anchor bolt installation details see sheet # 10 of 12.
 New steel extensions, side retainers, connection bolts, anchor bolts, and shim plates are included in "Furnishing and Erecting Structural Steel".

BILL OF MATERIAL

ITEM	UNIT	TOTAL
ELASTOMERIC BEARING ASSEMBLY TYPE I	EACH	14

FOR INFORMATION ONLY:

ELASTOMERIC BRIDGE NO. 7 STRUCTURE 064-0034



DESIGNED	J.C.P.
CHECKED	
DRAWN	T.F.
CHECKED	

Wed Jul 18 09:47:46 2001
 c:\projects\bsmar\064-0034\type1bea.dwg LV-1-63