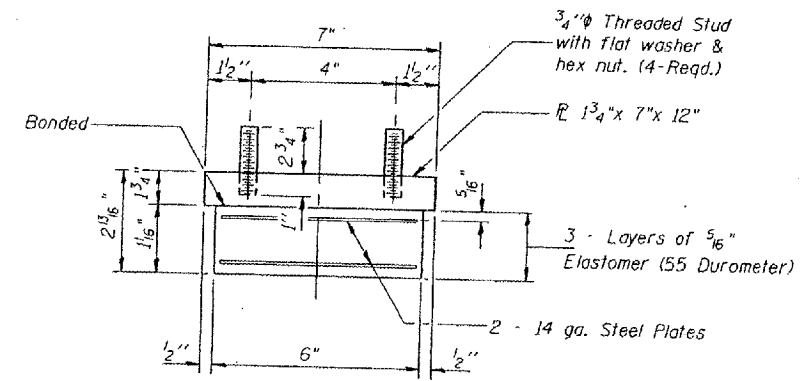


TYPE I ELASTOMERIC BEARING NORTH ABUT.



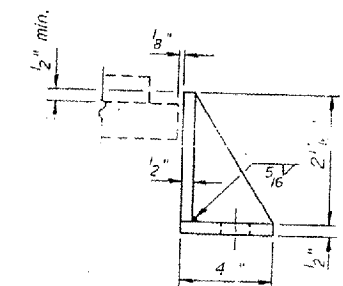
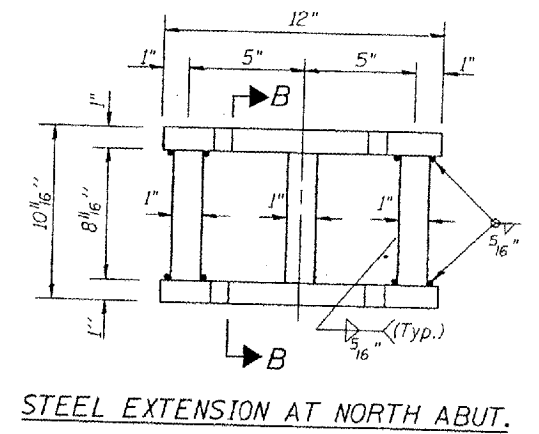
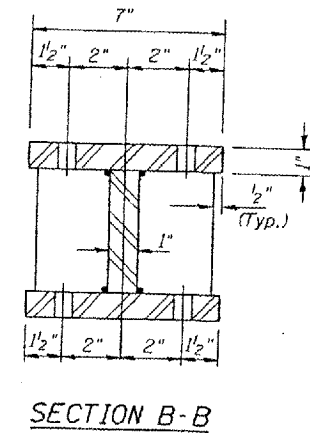
BEARING ASSEMBLY

Note: Shim plates shall not be placed under Bearing Assembly

*INTERIOR BEAM REACTION TABLE

	SERVICE LOADS
R _Q (K)	10.9
R _L (K)	30.8
Imp (K)	9.2
R Total (K)	50.9

* Min. Jack capacity at each Beam shall be 25 Tons.



SIDE RETAINER

Equivalent rolled angle with stiffeners will be allowed in lieu of welded plates. Weight included with Structural Steel.

Notes:
 Prior to ordering any material, the contractor shall verify in the field all bearing height dimensions.
 New steel extensions, side retainers, connection bolts, anchor bolts, and shim plates are included in "Furnishing and Erecting Structural Steel".

BILL OF MATERIAL

ITEM	UNIT	TOTAL
ELASTOMERIC BEARING ASSEMBLY TYPE I	EACH	14

FOR INFORMATION ONLY:

ELASTOMERIC BE BRIDGE NO. 7 STRUCTURE 064-0034

DESIGNED	J.C.P.
CHECKED	
DRAWN	T.F.
CHECKED	



Wed Jul 18 09:20:28 2001
 c:\p\proj\stb\amar\064-0034\tyoe\baa...4.dgn LV1-63