



HANSON PROFESSIONAL SERVICES INC.

815 Commerce Drive, Suite 200
Oak Brook, Illinois 60523
Telephone: 630.990.3800
Fax: 630.990.3801

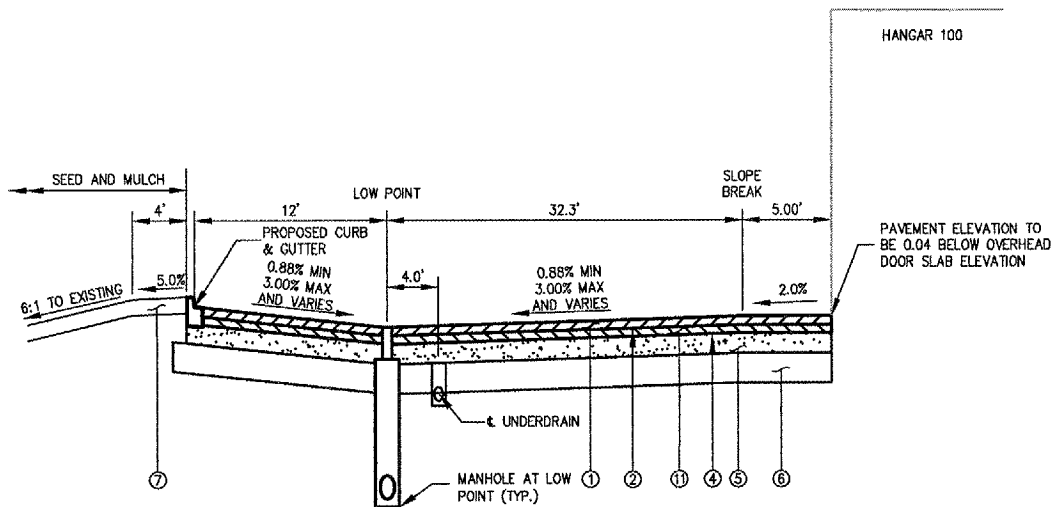


JOLIET REGIONAL PORT DISTRICT

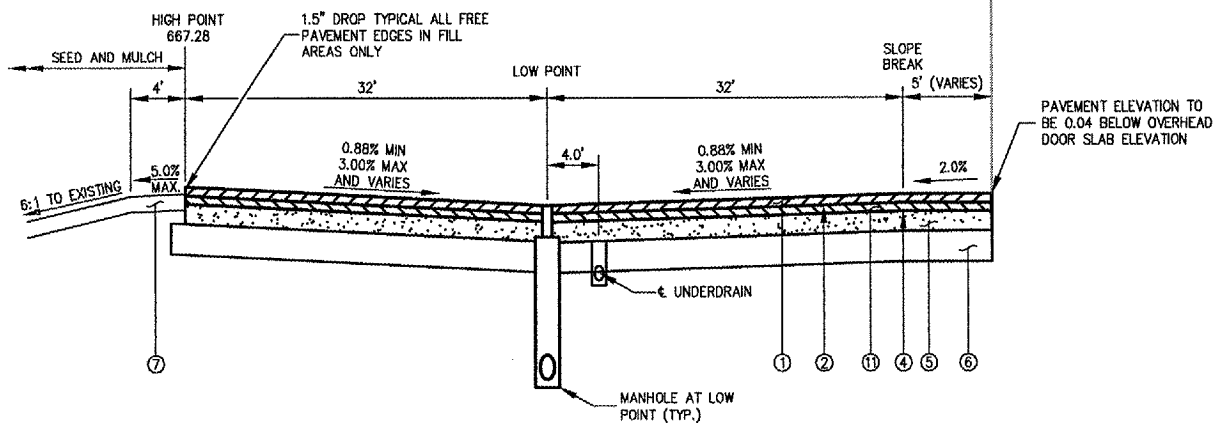
1 Hangar Road
Romeoville, Illinois 60446
Telephone: 815.838.9497
Fax: 815.838.9524

EXTEND TAXIWAY E: CONSTRUCT
GA APRON, AVGAS FUELING APRON
AND AUTO PARK 100

AIP PROJECT NO. 3-17-0140-B38
IDA PROJECT NO. LOT-3441



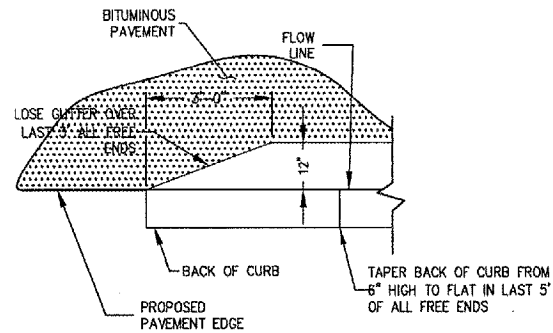
**TYPICAL SECTION
AUTO PARK 100
STA. 509+71 TO STA. 510+53**
(SECTION SHOWN LOOKING NORTH)



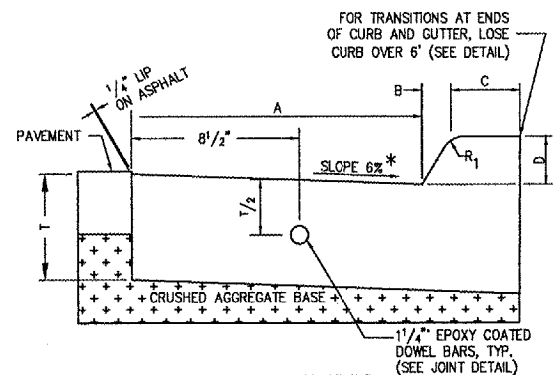
**TYPICAL SECTION
AUTO PARK 100
STA. 507+55 TO STA. 509+71**
(SECTION SHOWN LOOKING NORTH)

- ① PROPOSED 2 INCH BITUMINOUS SURFACE COURSE, ITEM AR401610
- ② PROPOSED BITUMINOUS TACK COAT, ITEM AR603510
- ③ PROPOSED 2 INCH BITUMINOUS BASE COURSE, ITEM AR201610
- ④ PROPOSED BITUMINOUS PRIME COAT, ITEM AR602510
- ⑤ PROPOSED 10 INCH CRUSHED AGGREGATE BASE COURSE, ITEM AR209610
- ⑥ PROPOSED PREPARED SUBGRADE: REMOVE TOPSOIL TO FINISHED SUBGRADE ELEV., ADDITIONAL UNDERCUT BELOW FINISHED SUBGRADE IN AREAS SHOWN ON PLANS AND/OR AS DETERMINED BY ROLL TEST (SEE UNDERCUT DETAIL)*
- FILL AREAS- REMOVE TOPSOIL, ADDITIONAL UNDERCUT IN AREAS SHOWN ON PLANS AND/OR AS DETERMINED BY ROLL TEST (SEE UNDERCUT DETAIL)*
- ⑦ PROPOSED 4" TOPSOIL, ITEM AR905510
- ⑧ PROPOSED 6 INCH P.C.C. PAVEMENT, ITEM AR501506
- ⑨ PROPOSED 6 INCH CRUSHED AGGREGATE BASE COURSE, ITEM AR209606
- ⑩ TRENCH BACKFILL FOR PIPE TRENCH, INCIDENTAL TO PIPE
- ⑪ PROPOSED 3 INCH BITUMINOUS BASE COURSE, ITEM 201610

* ALL TOPSOIL TO BE REMOVED WITHIN 5' OF PROPOSED PAVED AREAS AND UNDER FUTURE HANGAR SITES. QUANTITY INCLUDED IN ITEM AR152410.



PLAN VIEW OF CURB TRANSITION

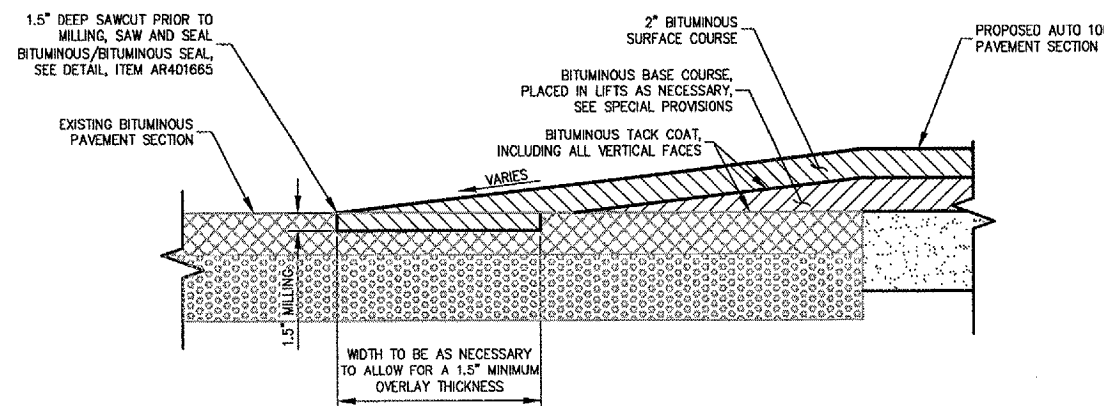


* CURB AND GUTTER ON WEST SIDE OF THE PARKING LOT TO BE BACKPITCHED AT 6.0% SLOPE.

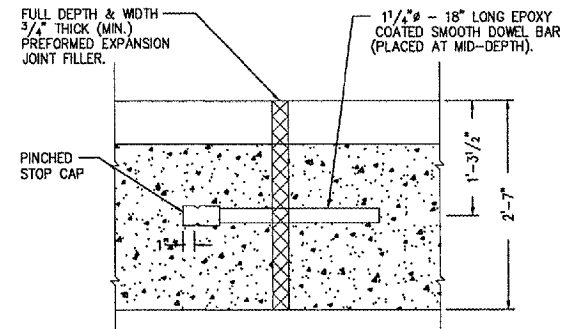
TABLE OF DIMENSIONS BARRIER CURB(IN)						
TYPE	A	B	C	D	R ₁	T
B-6.12	12	1	6	6	1	9

SECTION

COMBINATION CONCRETE CURB AND GUTTER
(DOT STANDARD 606001 - MODIFIED)



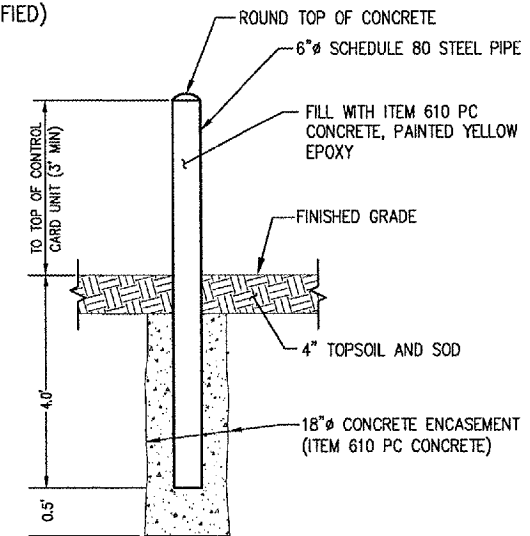
BITUMINOUS TAPER DETAIL



EXPANSION JOINT DETAIL

NOTES

1. CONTRACTION JOINTS TO BE LOCATED AT NO GREATER THAN 12.5' ON CENTER. CONTRACTION JOINTS ARE TO BE EITHER 3/4" THICK PREFORMED JOINT FILLER, SAWED 2" DEEP AT 4 TO 24 HOURS OR FORMED WITH A 1/8" THICK STEEL TEMPLATE 2" DEEP.
2. EXPANSION JOINTS TO BE LOCATED 5' FROM EACH SIDE OF AN INLET STRUCTURE AND AT 50' MAX SPACING.
3. ALL EXPANSION AND CONTRACTION JOINTS TO BE SEALED SONNEBORN "NP 1" OR APPROVED EQUAL.
4. COST OF CRUSHED AGGREGATE BASE UNDER CURB AND GUTTER INCIDENTAL TO ITEM 754.



NOTES

1. THE EXPOSED PORTION OF THE BOLLARD SHALL BE PAINTED YELLOW EPOXY.
2. BOLLARD AND ASSOCIATED ITEMS TO BE PAID UNDER AR800993 OR AS800993

BOLLARD DETAIL

No.	Drawing Issue	Description	Date	By

Date: MARCH 25, 2005
Sheet Title: TYPICAL SECTIONS AND PAVEMENT DETAILS

TYPICAL SECTIONS AND PAVEMENT DETAILS

840-04D8041
Project Number: LDH 01/19/05
Layout By: Date: SJM/TMM 02/17/05
Designed By: Date: RMH 03/11/05
Reviewed By: Date: SJM
Drawn By: Sheet No. 8

A:\PROJECTS\020840\0408041\DRAWINGS\SHEETS\08-TYPICAL SECTIONS AUTO PARKING MAR 28, 2005 2:18PM TMM