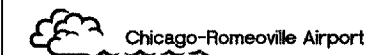




HANSON PROFESSIONAL SERVICES INC.

815 Commerce Drive, Suite 200
 Oak Brook, Illinois 60523
 Telephone: 630.990.3800
 Fax: 630.990.3801

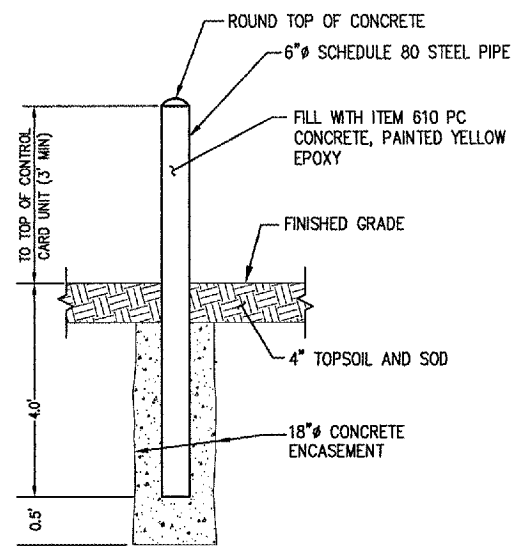


JOLIET REGIONAL PORT DISTRICT

1 Hangar Road
 Romeoville, Illinois 60446
 Telephone: 815.838.9497
 Fax: 815.838.9524

EXTEND TAXIWAY E: CONSTRUCT
 GA APRON, AVGAS FUELING APRON
 AND AUTO PARK 100

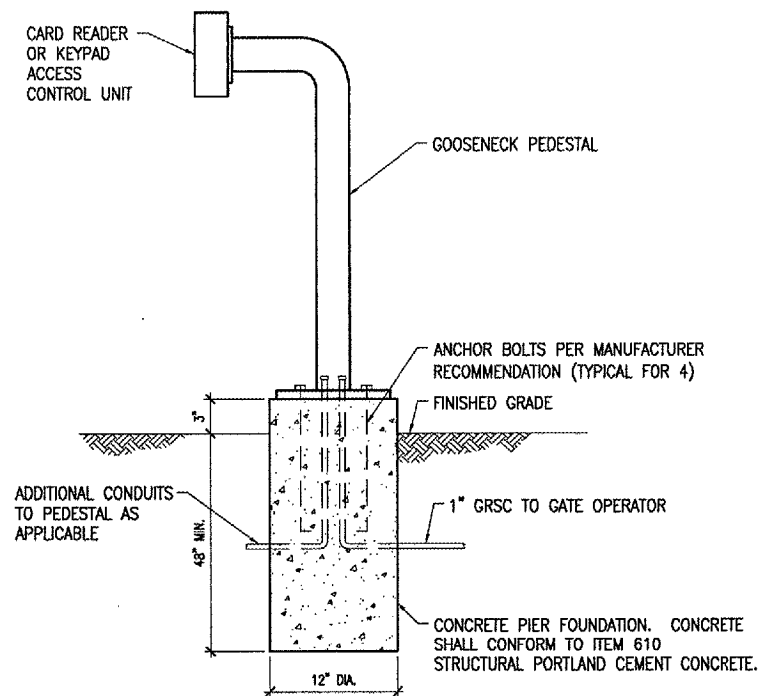
AIP PROJECT NO. 3-17-0140-B38
 IDA PROJECT NO. LOT-3441



NOTES

1. THE EXPOSED PORTION OF THE BOLLARD SHALL BE PAINTED YELLOW EPOXY.
2. BOLLARD PAID AS ITEM AR800993 OR ITEM AS800993.

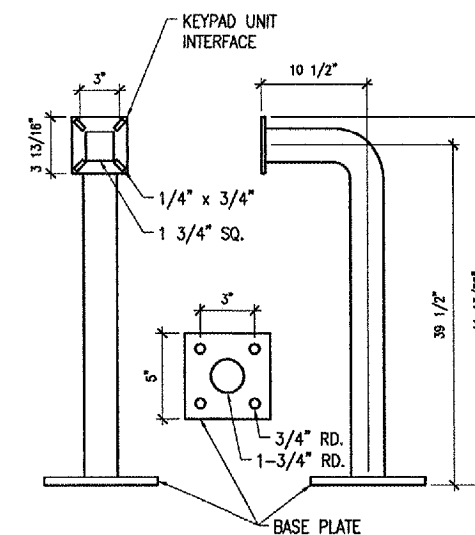
BOLLARD DETAIL



CARD READER/KEYPAD ACCESS CONTROL UNIT PEDESTAL ELEVATION DETAIL

SCALE: NONE

NOTE:
 SEE SPECIAL PROVISION SPECS FOR REQUIREMENTS ON
 CARD READER OR KEYPAD ACCESS CONTROL UNIT.



GOOSENECK PEDESTAL DETAIL

SCALE: NONE

NOTE:
 GOOSENECK PEDESTAL SHALL BE AMERICAN ACCESS SYSTEMS,
 INC. (7079 SOUTH JORDAN RD., UNIT 6, ENGLEWOOD, CO
 80112, PHONE: 800-541-5677, FAX 303-799-9756) MODEL
 18-001 OR APPROVED EQUAL.

E:\04\025\00840\0408041\DRAWINGS\SHEETS\52-CARD READER.DWG MAR 28, 2005 2:34PM TMM

No.	Drawing Issue Description	Date	By

Date
 MARCH 25, 2005
 Sheet Title

CARD READER AND BOLLARD DETAILS (ADDITIVE NO. 1)

840-0408041
 Project Number
 KNL 03-08-05
 Layout By Date
 KNL 03/08/05
 Designed By Date
 CAH 03/08/05
 Reviewed By Date
 MV
 Drawn By Sheet No.