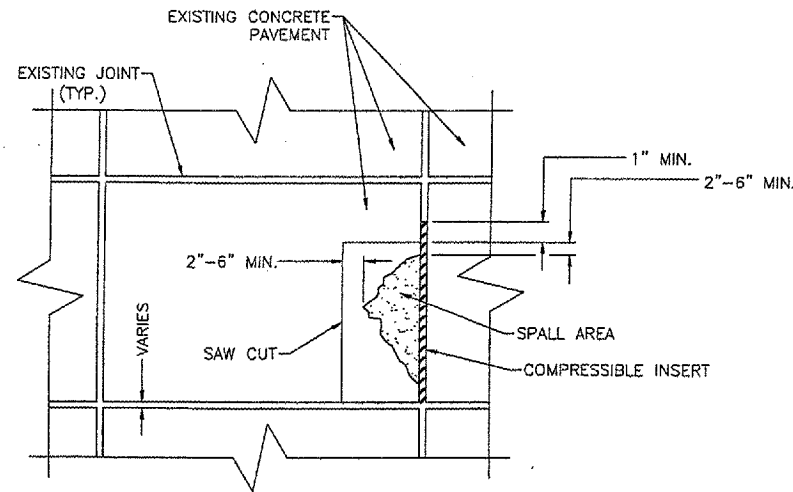
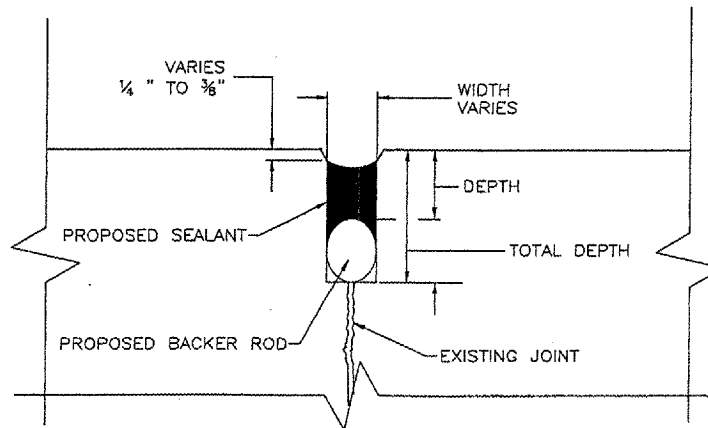


PARTIAL DEPTH SPALL REPAIR  
SECTION VIEW  
NOT TO SCALE



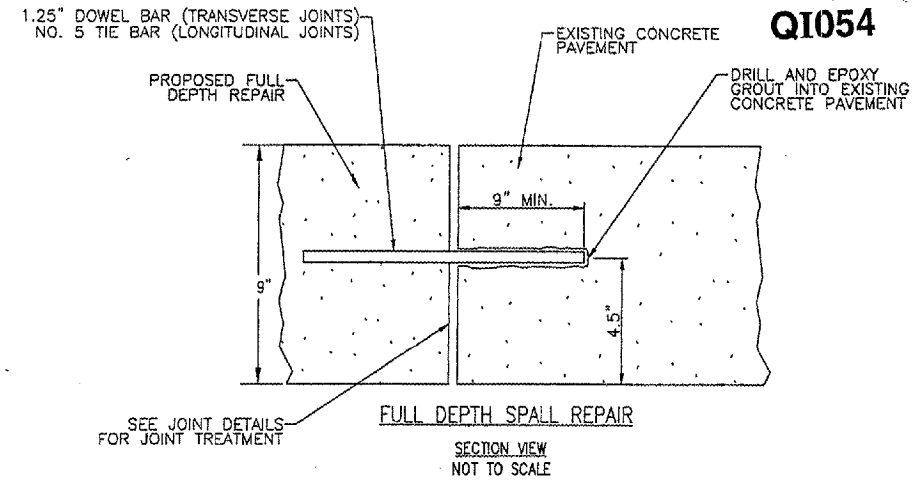
PARTIAL DEPTH SPALL REPAIR  
PLAN VIEW  
NOT TO SCALE



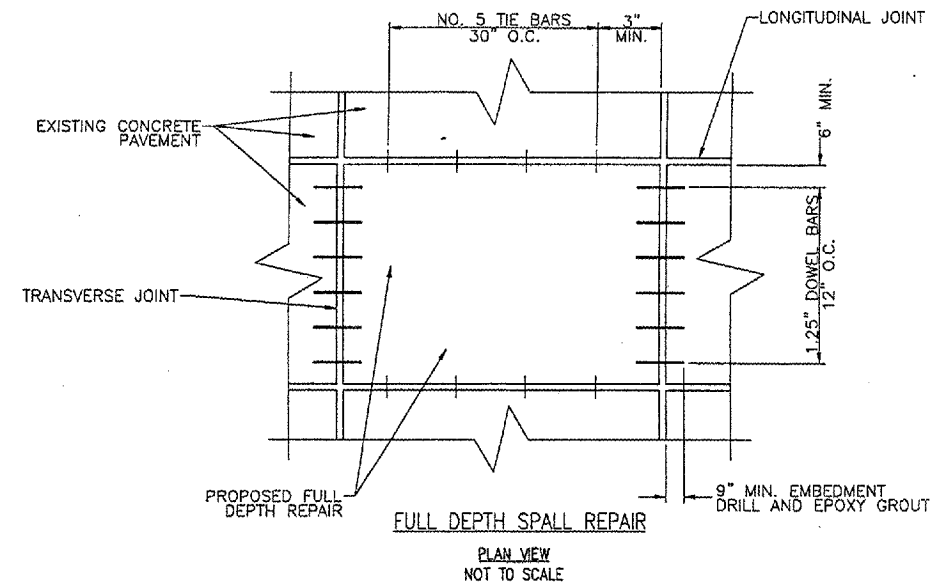
SEALANT RESERVOIR DETAIL  
NOT TO SCALE

**NOTE**  
JOINT WIDTH AND DEPTH WILL VARY DUE TO SAWING AND CLEANING OPERATIONS.  
JOINTS SHALL BE RESHAPED TO A DEPTH TO WIDTH RATIO OF 0.5 FOR SILICONE SEALANTS OR ACCORDING TO MANUFACTURERS SPECIFICATIONS.  
 $\frac{\text{DEPTH}}{\text{WIDTH}} = 0.5$   
SEE TABLE THIS SHEET FOR BACKER ROD SIZE.

RESERVOIR WIDTH	BACKER ROD DIAMETER
1/8" TO 3/8"	RES. WIDTH + 1/8"
1" TO 1 1/4"	RES. WIDTH + 1/4"
1 1/2"	RES. WIDTH + 1/2"



FULL DEPTH SPALL REPAIR  
SECTION VIEW  
NOT TO SCALE



FULL DEPTH SPALL REPAIR  
PLAN VIEW  
NOT TO SCALE

**GENERAL NOTE:**  
REFER TO THE SPECIAL PROVISIONS FOR SPECIFIC REQUIREMENTS, CONSTRUCTION METHODS AND MATERIAL SPECIFICATIONS ASSOCIATED WITH THESE DETAILS.

Q1054

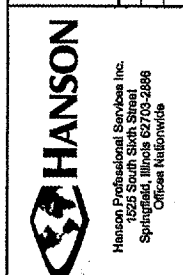
REVISION	DATE	BY

QUINCY REGIONAL AIRPORT  
BALDWIN FIELD  
ADAMS COUNTY, ILLINOIS



A.I.P. PROJ.: 3-17-0085-XX  
ILL. PROJ.: UNI-3336

HEI Project No.	HEI Project Name	Scale	Date	LAYOUT	DRAWN	REVIEWED
82405CRKD	SEELLES	N/A	1/17/05	DKH	DKH	JKW



Hanson Professional Services Inc.  
1925 South Sixth Street  
Springfield, Illinois 62703-2886  
Office: Nationwide

REHABILITATE  
RUNWAY 18-36  
CONSTRUCTION  
DETAILS