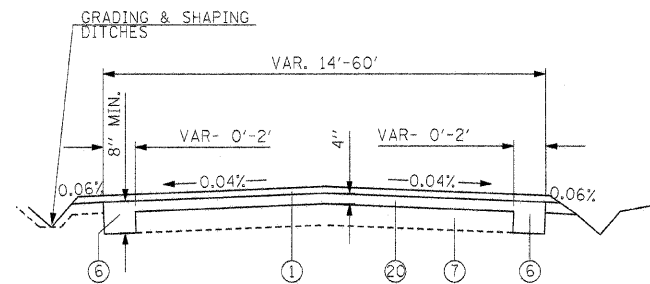


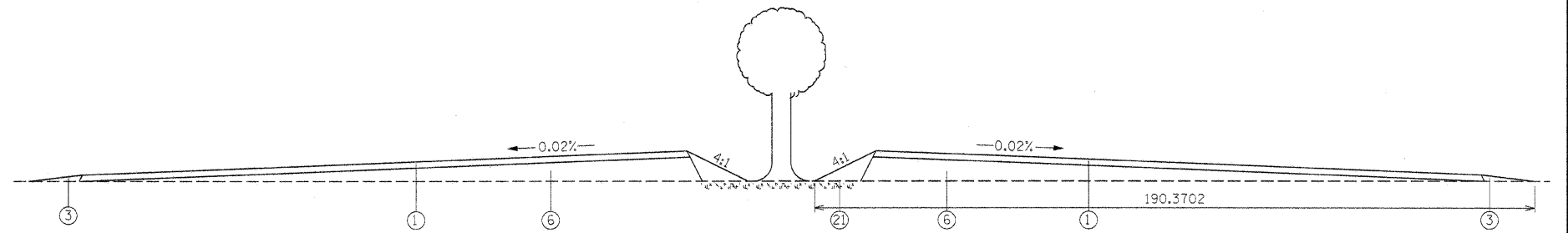
PRIMITIVE CAMPGROUND AREA STA. 320+00 TO STA. 326+22  
 (ROAD RT. STA. 73+20)  
 OAK FLATS ROAD STA. 409+11 TO STA. 446+37  
 DOE RUN ROAD STA. 500+34 TO STA. 505+24  
 BIG OAKS ROAD STA. 606+45 TO STA. 608+08  
 EQUESTRIAN ACCESS ROAD STA. 670+44 TO STA. 673+87  
 ROAD STA. 700+14 TO STA. 710+85



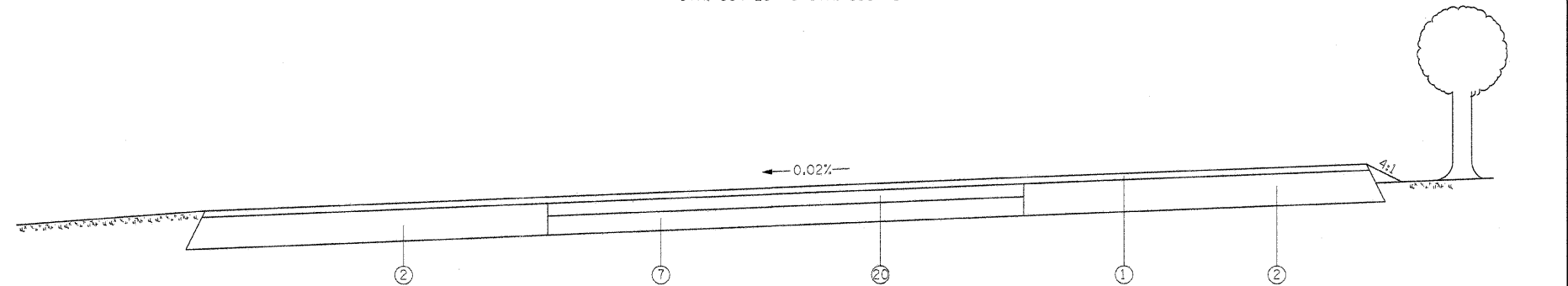
STA. 300+10 TO STA. 308+73  
 MAINTENANCE BUILDING STA. 330+11 TO STA. 334+23  
 ACCESS ROAD STA. 800+12 TO STA. 803+37

**LEGEND**

- ① PROPOSED HOT-MIX ASPHALT SURFACE COURSE, MIX C, N 70, 2"
- ② PROPOSED 10" AGGREGATE BASE COURSE
- ③ PROPOSED EARTH SHOULDERS
- ④ PROPOSED COMBINATION CONCRETE CURB AND GUTTER, TYPE B 6.12
- ⑤ PROPOSED LEVELING BINDER HAND METHOD, N 70
- ⑥ PROPOSED AGGREGATE BASE COURSE TYPE B
- ⑦ EXISTING AGGREGATE BASE COURSE (UNKNOWN DEPTH)
- ⑧ EXISTING ASPHALT SURFACE (UNKNOWN DEPTH)
- ⑨ EXISTING GROUND
- ⑩ EXISTING PORTLAND CEMENT CONCRETE
- ⑪ PROPOSED PORTLAND CEMENT CONCRETE PAVEMENT - 6"
- ⑫ HOT MIX ASPHALT SURFACE REMOVAL - BUTT JOINT
- ⑬ EXISTING GUTTER REMOVAL
- ⑭ EXISTING CONCRETE GUTTER
- ⑮ MILL SURFACE & LEAVE MILLINGS IN PLACE
- ⑯ PROPOSED CULVERT
- ⑰ EXISTING PARKING BLOCK
- ⑱ REMOVE EXISTING ASPHALT IN GUTTER (VARIOUS DEPTH)
- ⑲ PROPOSED CONCRETE CURB, TYPE B (DOWELLED)
- ⑳ PROPOSED 4" AGGREGATE BASE COURSE
- ㉑ SCARIFY EXISTING SURFACE
- ㉒ REMOVE AND REINSTALL PARKING BLOCK

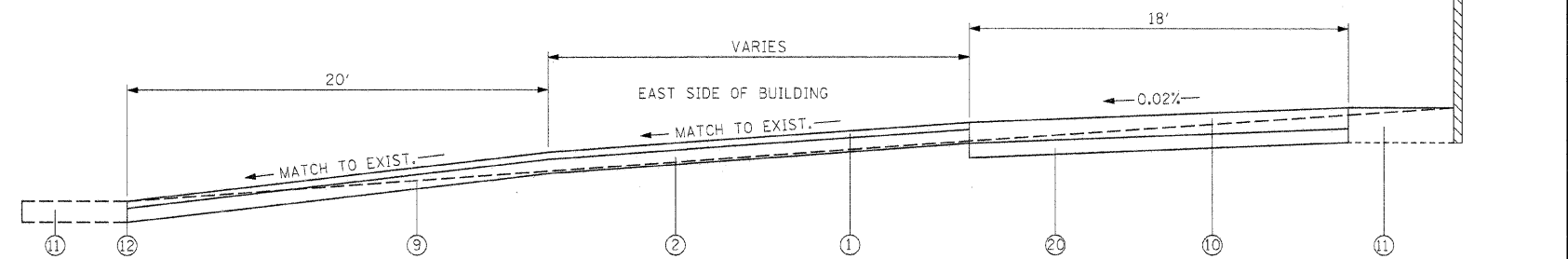


STA. 334+23 TO STA. 338+75

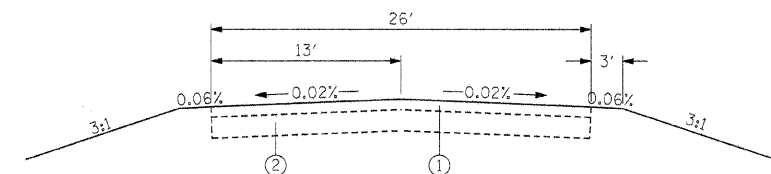
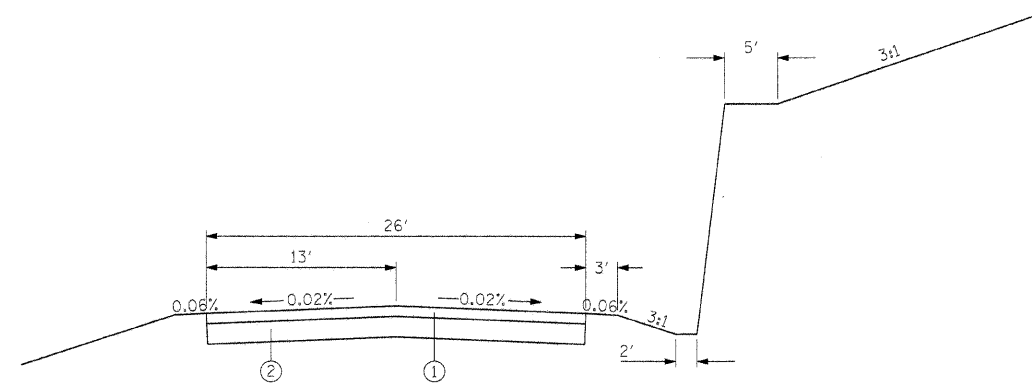


PARKING LOT LT STA. 302+27

\*NOTE SAME ON OTHER SIDE



**A**  
**91** MAINTENANCE BUILDING SECTION



STA. 96+10 TO STA. 103+20  
 STA. 254+00 TO STA. 258+67  
 STA. 26 TO STA. 26

FILE NAME =	USER NAME = #USER#	DESIGNED - R.H.D.	REVISED -	<b>STATE OF ILLINOIS DEPARTMENT OF TRANSPORTATION</b>	<b>ARGYLE LAKE STATE PARK TYPICAL SECTIONS</b>			F.A. RTE.	SECTION	COUNTY	TOTAL SHEETS	SHEET NO.
#FILEL#		DRAWN - S.D.K.	REVISED -		SCALE: 1" = 40'	SHEET NO. 5 OF 162 SHEETS	STA.	TO STA.	ARGYLE LAKE STATE PARK	MCDONOUGH	162	5
		CHECKED - T.T.P.	REVISED -						CONTRACT NO. 46158			
		DATE - 12/09/10	REVISED -						FED. ROAD DIST. NO. ILLINOIS FED. AID PROJECT			